

### **DRAVA** 2-WAY THERMOSTATIC SHOWER SYSTEM

SET.DA.220.210

#### **Components Included**

---

- **VE.220** - Thermostatic valve with integrated 2-way diverter
- **TM.DA.220** - Trim for 2-way thermostatic valve
- **SH.06.0808** - 8" round full brass shower head
- **WA.02.16** - 16" wall mount shower arm with 1/2" female NPT connection
- **BH.06.02** - 27" sliding shower bar with hose and 4-function hand shower (HS.06.02)
- **EC.02.01** - Round brass elbow connector with 1/2" female NPT connection

#### **Available Finishes**

---

- Chrome (CC)
- Matte Black (MB)
- Matte Black / Chrome (CB)
- Matte Black / Matte Gold (GB)

(Model Pictured: Chrome)

#### **Codes / Standards**

---

- Uniform Plumbing Code (UPC®)
- ASME A112.18.1/CSA B125.1
- ASSE 1016

#### **Warranty**

---

- Limited lifetime warranty  
(see full warranty for details)

Please note that this shower kit is also available with a 4" ceiling arm (**CA.02.04**) & 8" ceiling arm (**CA.02.08**)

4" ceiling arm Configuration - **SET.DA.220.214**

8" ceiling arm Configuration - **SET.DA.220.218**



### DRAVA

#### 2-WAY THERMOSTATIC VALVE & TRIM

VT.DA.220

#### Description

- VE.220 - 1/2" thermostatic valve with 2-way diverter
- TM.DA.220 - Trim for 2-way thermostatic valve
- 3 positions

#### Flow Rate

- 6.1 gpm | 23 lpm | 60 psi

#### Cartridge

- CE.1401.TT - cartridge
- CE.1710.DR - diverter

#### Available Finishes

- Chrome (CC)
- Matte Black (MB)
- Matte Black / Chrome (CB)
- Matte Black / Matte Gold (GB)

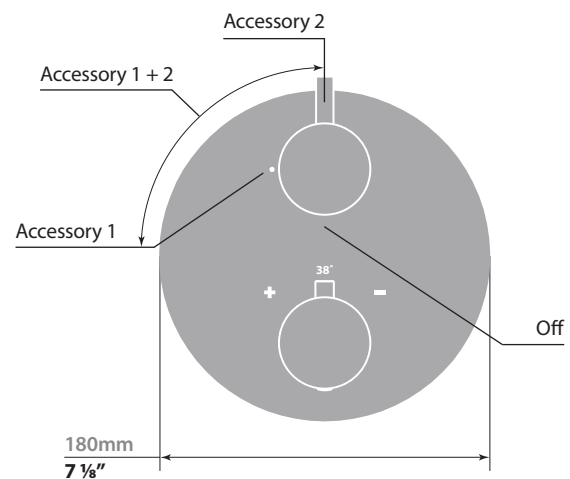
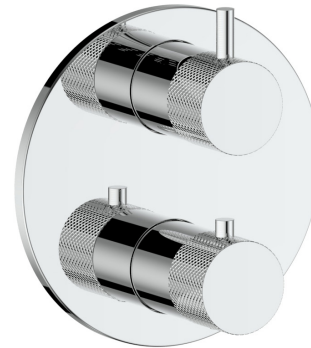
(Model Pictured: Chrome)

#### Codes / Standards

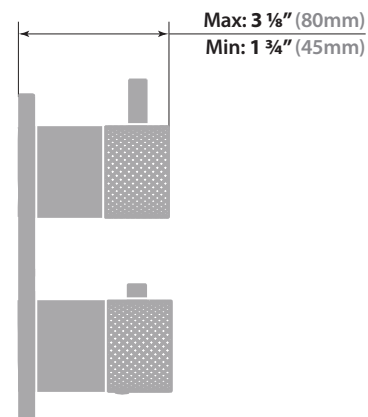
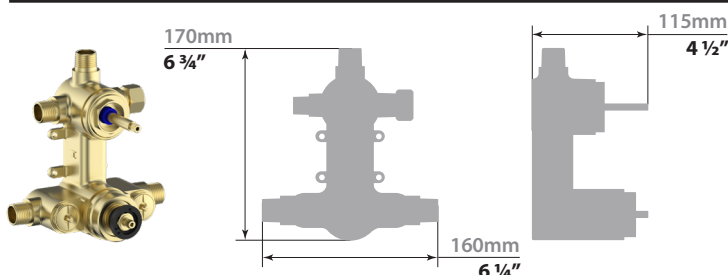
- Uniform Plumbing Code (UPC®)
- ASME A112.18.1/CSA B125.1

#### Warranty

- Limited lifetime warranty (see full warranty for details)



#### VE.220 - 2-Way Thermostatic Valve



### 2-WAY THERMOSTATIC VALVE

VE.220

#### Description

- Valve with thermostatic cartridge and 2-way diverter
- ½" male NPT connections

#### Flow Rate

- 6.1 gpm | 23 lpm | 60 psi

#### Cartridge

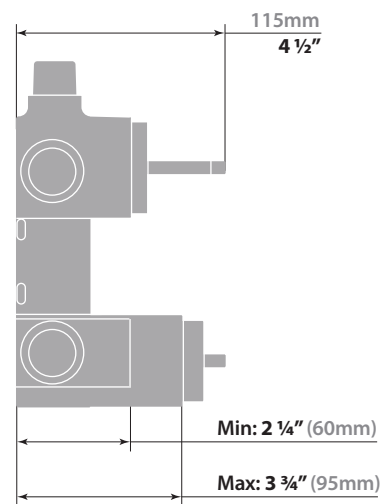
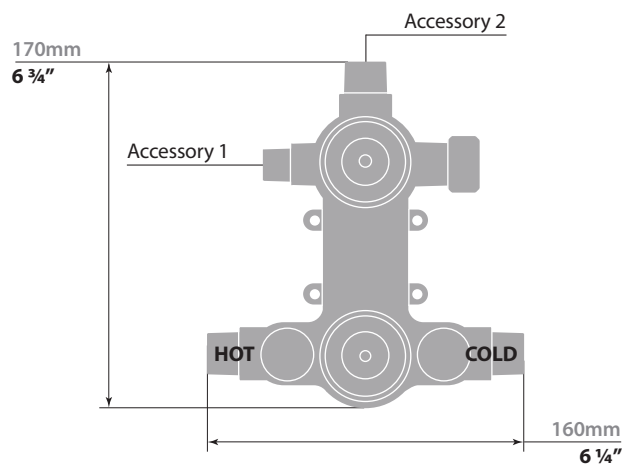
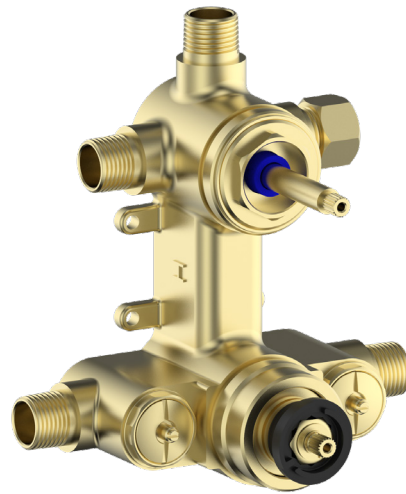
- CE.1401.TT cartridge
- CE.1710.DR diverter

#### Warranty

- Limited lifetime warranty (see full warranty for more details)

#### Codes / Standards

- Uniform Plumbing Code (UPC®)
- ASME A112.18.1/CSA B125.1



### 16" WALL ARM

WA.02.16

#### Description

- 16" wall mount shower arm with 1/2" female NPT connection
- Round pipe with round escutcheon plate

#### Available Finishes

- Chrome (CC)
- Brushed Nickel (BN)
- Glossy White / Chrome (CW)
- Matte Black (MB)

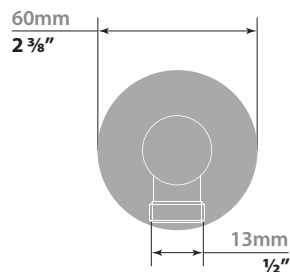
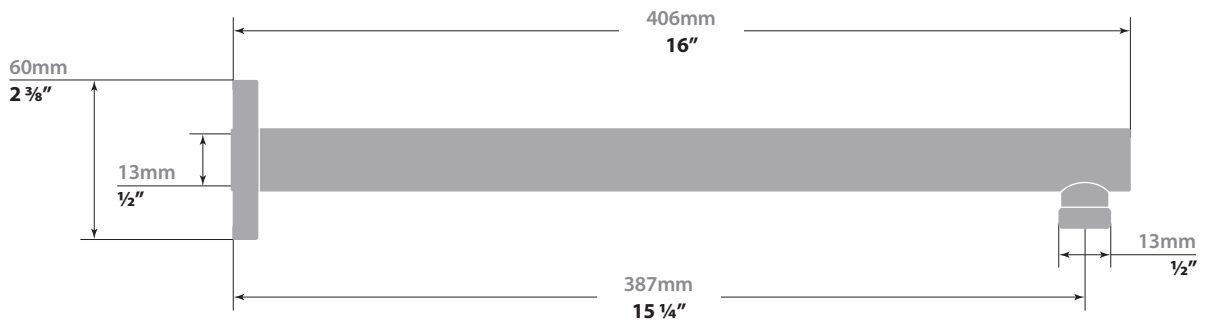
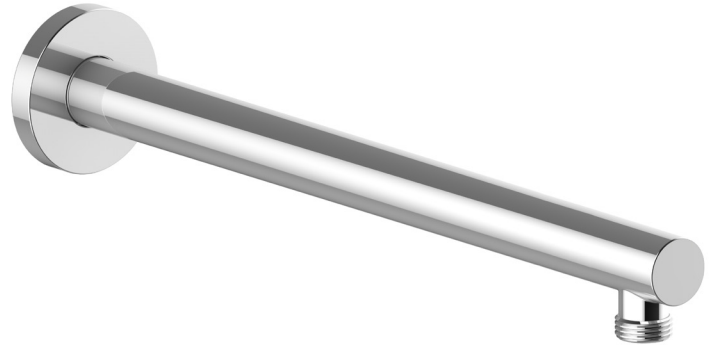
(Model Pictured: Chrome)

#### Warranty

- Limited lifetime warranty (see full warranty for more details)

#### Codes / Standards

- Uniform Plumbing Code (UPC®)
- ASME A112.18.1/CSA B125.1



### 8" ROUND SHOWER HEAD

SH.06.0808

#### Description

- 8" round full brass shower head
- Anti-limescale technology

#### Flow Rate

- 2 gpm | 7.6 lpm | 60 psi

#### Available Finishes

- Chrome (CC)
- Matte Black (MB)
- Polished Nickel (PN)
- Matte Gold (MG)

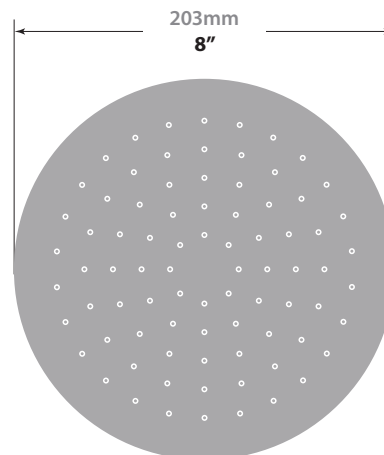
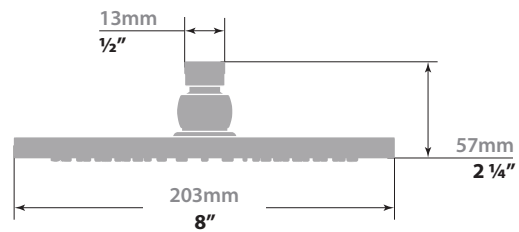
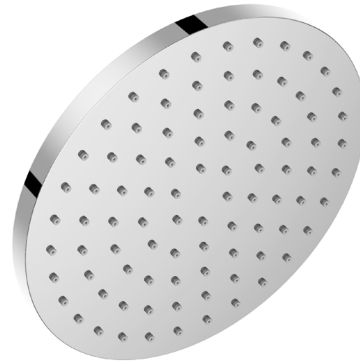
(Model Pictured: Chrome)

#### Codes / Standards

- Uniform Plumbing Code (UPC®)
- ASME A112.18.1/CSA B125.1

#### Warranty

- Limited lifetime warranty  
(see full warranty for details)



### DRAVA SLIDING SHOWER BAR

BH.06.02

#### Description

- SB.06.27 - 27" sliding shower bar
- HE.150 - 59" hose
- HS.06.02 - 4-function hand shower

#### Flow Rate

- 2 gpm | 7.6 lpm | 60 psi

#### Available Finishes

- Chrome (CC)
- Matte Black (MB)
- Matte Black / Chrome (CB)
- Matte Black / Matte Gold (GB)

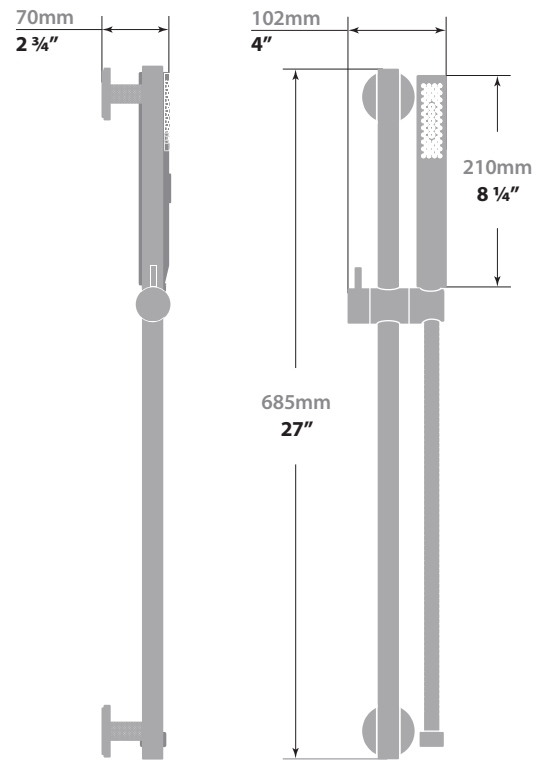
(Model Pictured: Chrome)

#### Codes / Standards

- Uniform Plumbing Code (UPC®)
- ASME A112.18.1/CSA B125.1

#### Warranty

- Limited lifetime warranty  
(see full warranty for details)



### ROUND WALL SUPPLY ELBOW

EC.02.01

#### Description

- Round brass elbow connector with 1/2" female NPT connection

#### Available Finishes

- Chrome (CC)
- Brushed Nickel (BN)
- Glossy White / Chrome (CW)
- Matte Black (MB)

(Model Pictured: Chrome)

#### Warranty

- Limited lifetime warranty (see full warranty for details)

#### Codes / Standards

- Uniform Plumbing Code (UPC®)
- ASME A112.18.1/CSA B125.1

