

ANTAU

3-WAY THERMOSTATIC SHOWER SYSTEM

SET.AU.320.310.CC

Components Included

- **VE.320** - Thermostatic valve with integrated 3-way diverter
- **TM.AU.320.CC** - Trim for 3-way thermostatic valve
- **SH.04.0812.CC** - 8" x 12" rectangular stainless steel shower head
- **WA.01.16.CC** - 16" wall mount shower arm with ½" female NPT connection
- **BH.04.03.CC** - 27½" sliding shower bar with hose and 4-function hand shower (HS.04.03.CC)
- **EC.01.01.CC** - Square brass elbow connector with ½" female NPT connection
- **TS.04.07.CC** - 7½" brass tub spout with ½" female NPT connection

Available Finishes

- Chrome

Codes / Standards

- Uniform Plumbing Code (UPC®)
- ASME A112.18.1/CSA B125.1
- ASSE 1016

Warranty

- Valve & cartridge - Limited lifetime warranty
- Components - Limited lifetime warranty (see full warranty for details)

Please note that this shower kit is also available with a 4" ceiling arm (**CA.03.04**) & 8" ceiling arm (**CA.03.08**)

4" ceiling arm Configuration - **SET.AU310.314**

8" ceiling arm Configuration - **SET.AU.310.318**



ANTAU

3-WAY THERMOSTATIC VALVE & TRIM

VT.AU.320.CC

Description

- VE.320 - 1/2" thermostatic valve with 3-way diverter
- TM.AU.320.CC - Trim for 3-way thermostatic valve
- 5 positions

Flow Rate

- 6.2 gpm | 23.4 lpm | 60 psi

Cartridge

- CE.1401.TT - cartridge
- CE.1408.DR - diverter

Available Finishes

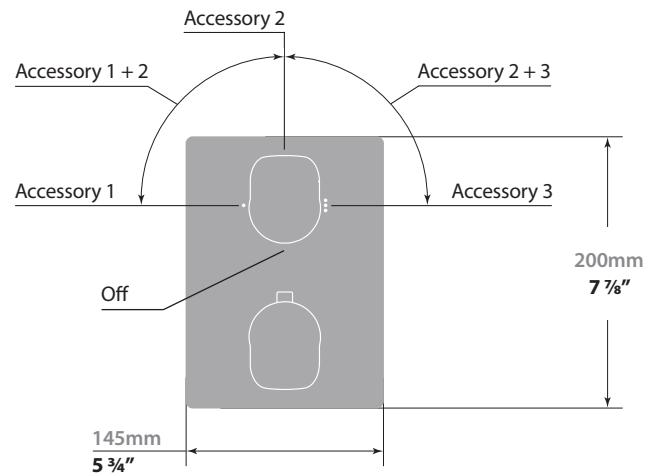
- Chrome (CC)

Codes / Standards

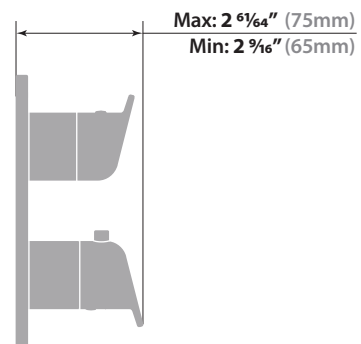
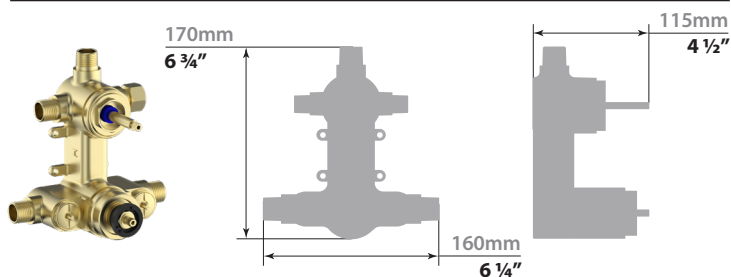
- Uniform Plumbing Code (UPC®)
- ASME A112.18.1/CSA B125.1
- ASSE 1016

Warranty

- Limited lifetime warranty (see full warranty for details)



VE.320 - 3-Way Thermostatic Valve



3-WAY THERMOSTATIC VALVE

VE.320

Description

- Valve with thermostatic cartridge and 3-way diverter
- ½" male NPT connections

Flow Rate

- 6.2 gpm | 23.4 lpm | 60 psi

Cartridge

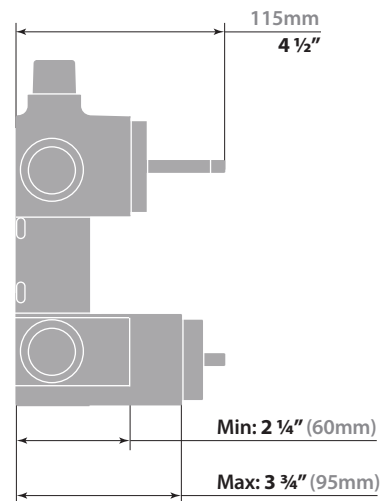
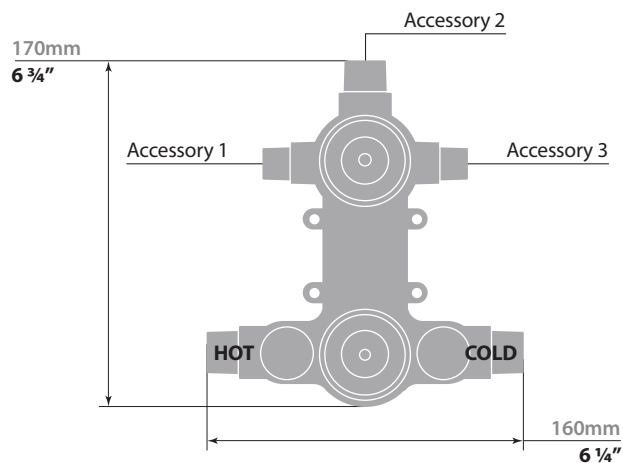
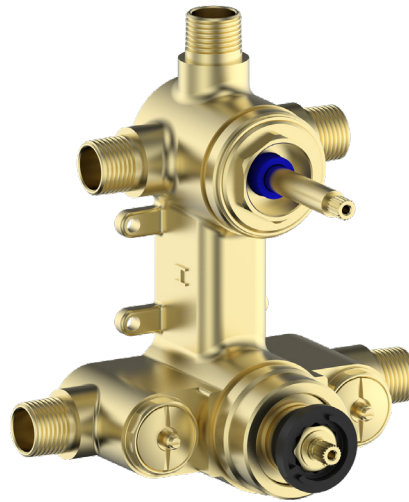
- CE.1401.TT cartridge
- CE.1408.DR diverter

Codes / Standards

- Uniform Plumbing Code (UPC®)
- ASME A112.18.1/CSA B125.1
- ASSE 1016

Warranty

- Limited lifetime warranty (see full warranty for more details)



16" WALL ARM

WA.01.16

Description

- 16" wall mount shower arm with 1/2" female NPT connection
- Square pipe with rectangular escutcheon plate

Available Finishes

- Chrome (CC)
- Brushed Nickel (BN)
- Matte Black (MB)

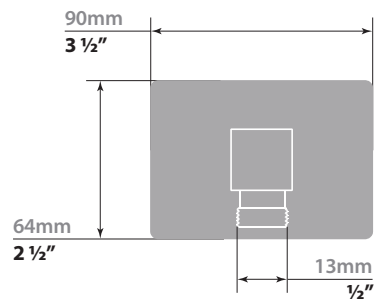
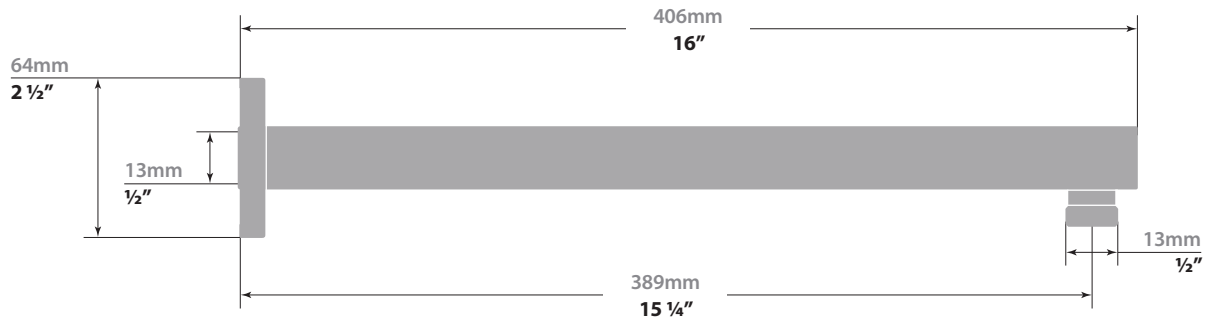
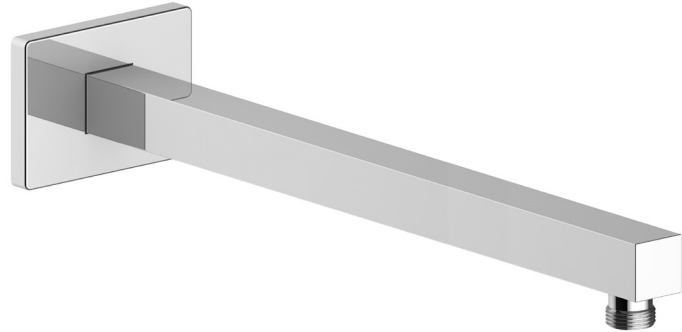
(Model Pictured: Chrome)

Codes / Standards

- Uniform Plumbing Code (UPC®)
- ASME A112.18.1/CSA B125.1

Warranty

- Limited lifetime warranty (see full warranty for details)



8" x 12" RECTANGULAR SHOWER HEAD

SH.04.0812.CC

Description

- 8" x 12" rectangular stainless steel shower head
- Anti-limescale technology

Flow Rate

- 2 gpm | 7.6 lpm | 60 psi

Available Finishes

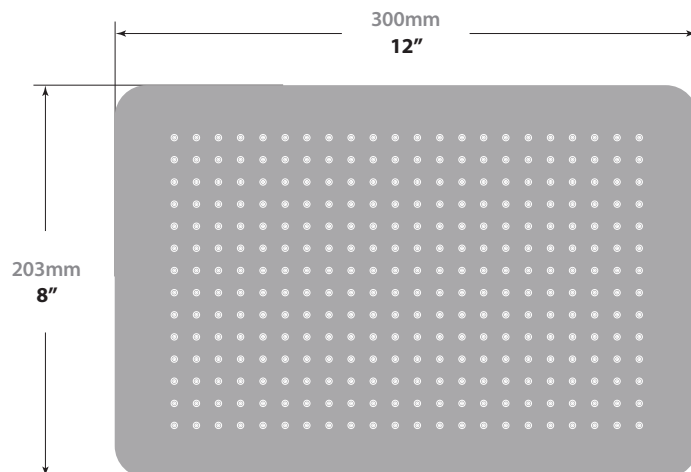
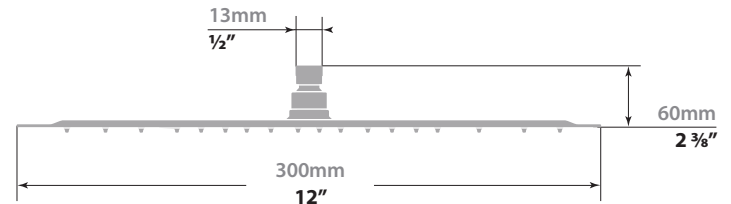
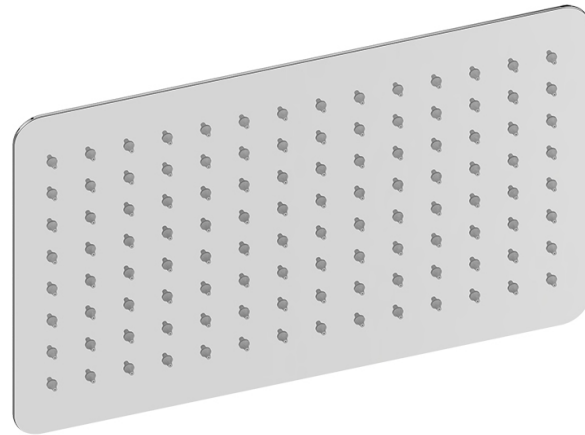
- Chrome (CC)

Codes / Standards

- Uniform Plumbing Code (UPC®)
- ASME A112.18.1/CSA B125.1

Warranty

- Limited lifetime warranty (see full warranty for details)



ANTAU

SLIDING SHOWER BAR WITH HANDHOWER

BH.04.03.CC

Description

- SB.04.27 - 27½" sliding shower bar
- HE.150 - 59" hose
- HS.04.03 - 4-function hand shower

Flow Rate

- 2 gpm | 7.6 lpm | 60 psi

Available Finishes

- Chrome (CC)

Codes / Standards

- Uniform Plumbing Code (UPC®)
- ASME A112.18.1/CSA B125.1
- ASSE 1016

Warranty

- Limited lifetime warranty
(see full warranty for details)



SQUARE WALL SUPPLY ELBOW

EC.01.01

Description

- Square brass elbow connector with ½" female NPT connection

Available Finishes

- Chrome (CC)
- Brushed Nickel (BN)
- Matte Black (MB)

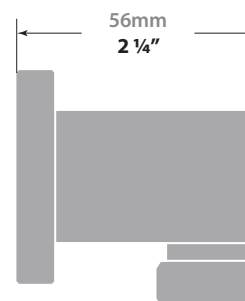
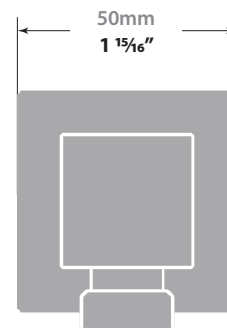
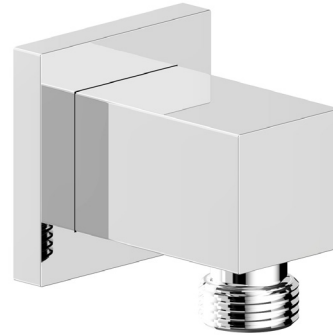
(Model Pictured: Chrome)

Codes / Standards

- Uniform Plumbing Code (UPC®)
- ASME A112.18.1/CSA B125.1

Warranty

- Limited lifetime warranty (see full warranty for details)



ANTAU TUB SPOUT

TS.04.07.CC

Description

- Brass tub spout with 1/2" female NPT connection

Available Finishes

- Chrome (CC)

Codes / Standards

- Uniform Plumbing Code (UPC®)
- ASME A112.18.1/CSA B125.1
- ASSE 1016

Warranty

- Limited lifetime warranty (see full warranty for details)

