

### ANTAU

#### 3-WAY PRESSURE BALANCED SHOWER SYSTEM

SET.AU.310.310.CC

#### Components Included

---

- **VE.310** - Pressure balanced valve with integrated 3-way diverter
- **TM.AU.310.CC** - Trim for 3-way pressure balanced valve
- **SH.04.0812.CC** - 8" x 12" rectangular stainless steel shower head
- **WA.01.16.CC** - 16" wall mount shower arm with 1/2" female NPT connection
- **BH.04.03.CC** - 27 1/2" sliding shower bar with hose and 4-function hand shower (HS.04.03.CC)
- **EC.01.01.CC** - Square brass elbow connector with 1/2" female NPT connection
- **TS.04.07.CC** - 7 1/2" brass tub spout with 1/2" female NPT connection

#### Available Finishes

---

- Chrome

#### Codes / Standards

---

- Uniform Plumbing Code (UPC®)
- ASME A112.18.1/CSA B125.1
- ASSE 1016

#### Warranty

---

- Valve & cartridge - Limited lifetime warranty
- Components - Limited lifetime warranty (see full warranty for details)

Please note that this shower kit is also available with a 4" ceiling arm (**CA.03.04**) & 8" ceiling arm (**CA.03.08**)

4" ceiling arm Configuration - **SET.AU.310.314**

8" ceiling arm Configuration - **SET.AU.310.318**



### ANTAU

#### 3-WAY PRESSURE BALANCED VALVE & TRIM

VT.AU.310.CC

#### Description

- **VE.310** - 1/2" pressure balanced valve with 3-way diverter
- **TM.AU.310.CC** - Trim for 3-way pressure balanced valve
- 4 positions

#### Flow Rate

- 5.7 gpm | 21.5 lpm | 60 psi

#### Cartridge

- CE.1440.PB - cartridge
- CE.1702.DR - diverter

#### Available Finishes

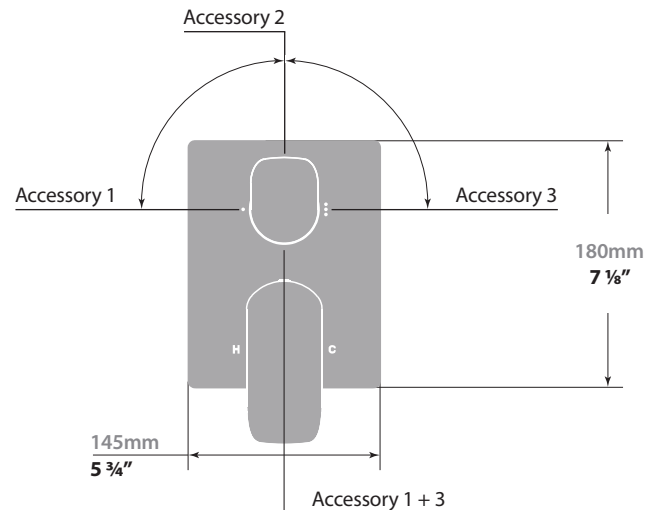
- Chrome (CC)

#### Codes / Standards

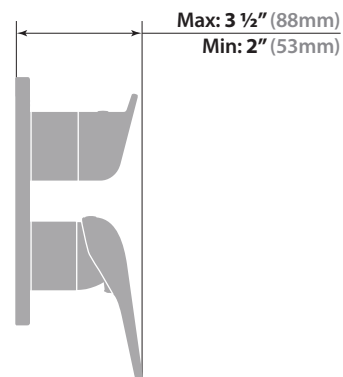
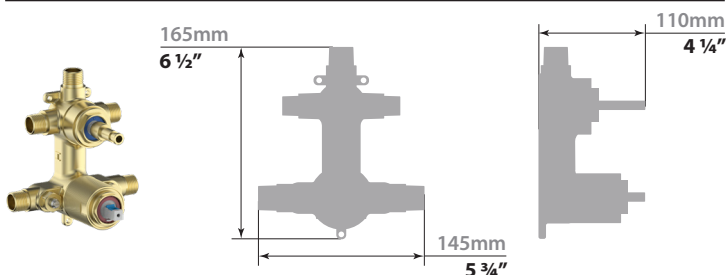
- Uniform Plumbing Code (UPC®)
- ASME A112.18.1/CSA B125.1
- ASSE 1016

#### Warranty

- Limited lifetime warranty (see full warranty for details)



#### VE.310 - 3-Way Pressure Balanced Valve



### 3-WAY PRESSURE BALANCED VALVE

VE.310

#### Description

- Valve with pressure balanced cartridge and 3-way diverter
- ½" male NPT connections

#### Flow Rate

- 5.7 gpm | 21.5 lpm | 60 psi

#### Cartridge

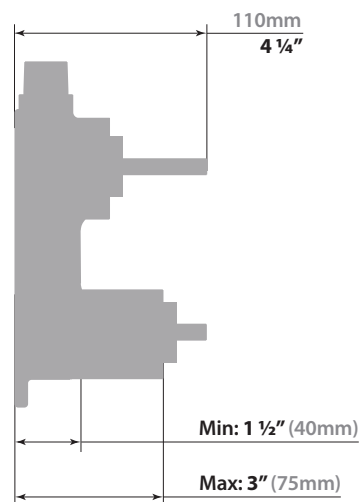
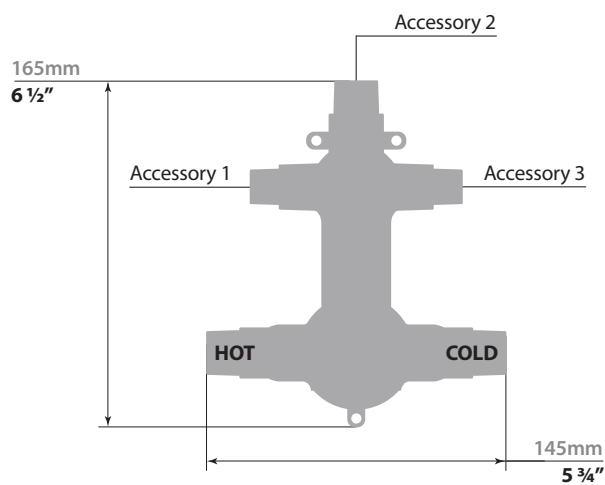
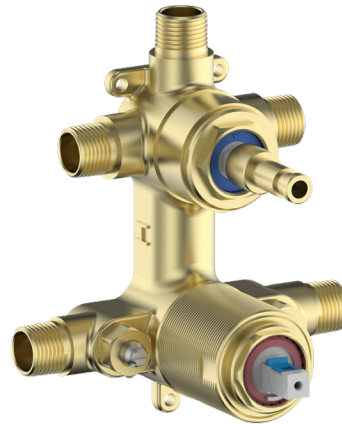
- CE.1440.PB cartridge
- CE.1702.DR diverter

#### Codes / Standards

- Uniform Plumbing Code (UPC®)
- ASME A112.18.1/CSA B125.1
- ASSE 1016

#### Warranty

- Limited lifetime warranty (see full warranty for more details)



### 16" WALL ARM

WA.01.16

#### Description

- 16" wall mount shower arm with 1/2" female NPT connection
- Square pipe with rectangular escutcheon plate

#### Available Finishes

- Chrome (CC)
- Brushed Nickel (BN)
- Matte Black (MB)

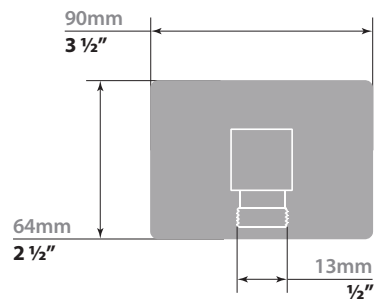
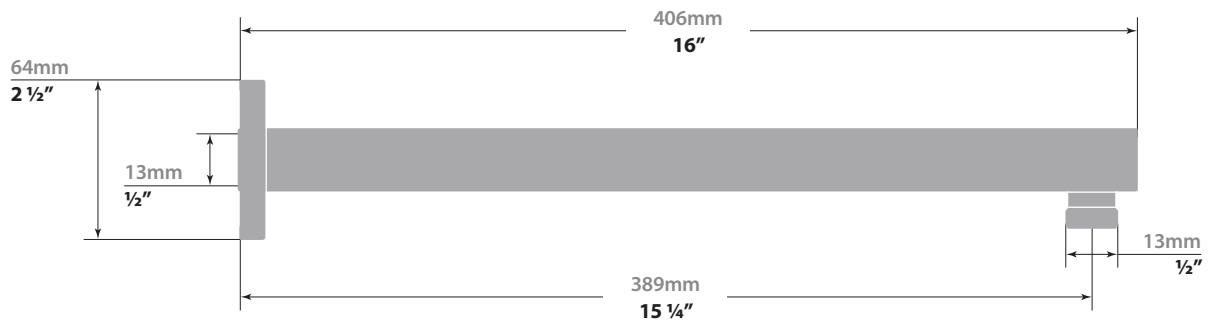
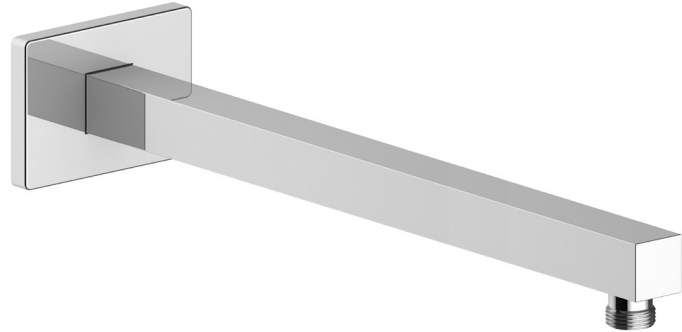
(Model Pictured: Chrome)

#### Codes / Standards

- Uniform Plumbing Code (UPC®)
- ASME A112.18.1/CSA B125.1

#### Warranty

- Limited lifetime warranty (see full warranty for details)



### 8" x 12" RECTANGULAR SHOWER HEAD

SH.04.0812.CC

#### Description

- 8" x 12" rectangular stainless steel shower head
- Anti-limescale technology

#### Flow Rate

- 2 gpm | 7.6 lpm | 60 psi

#### Available Finishes

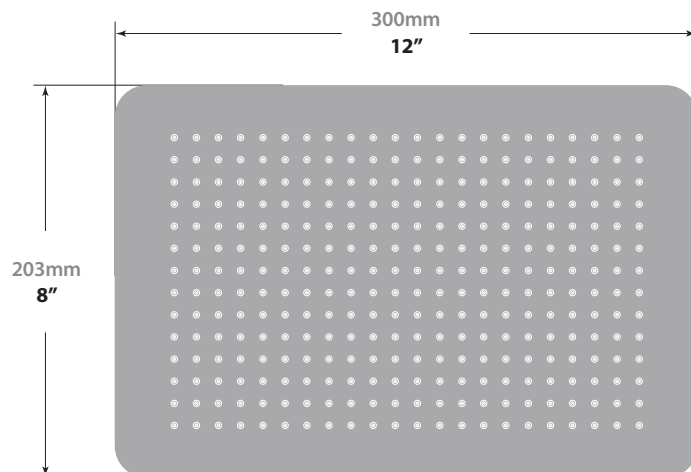
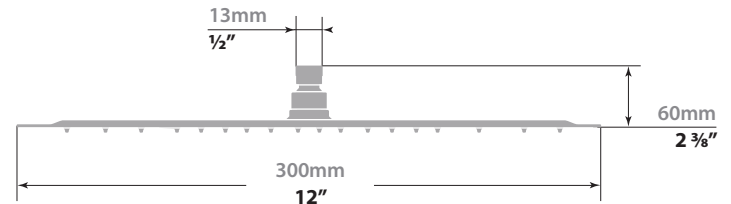
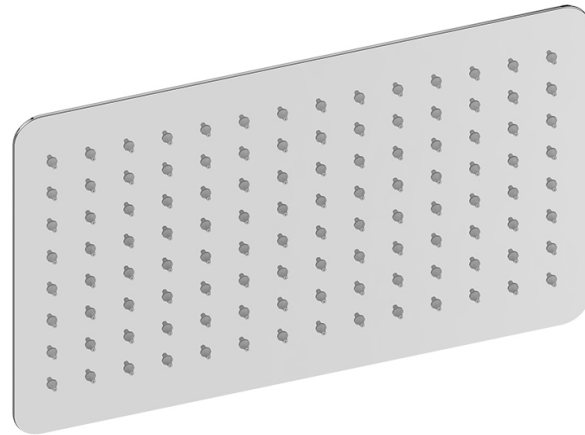
- Chrome (CC)

#### Codes / Standards

- Uniform Plumbing Code (UPC®)
- ASME A112.18.1/CSA B125.1

#### Warranty

- Limited lifetime warranty (see full warranty for details)



# ANTAU

## SLIDING SHOWER BAR WITH HANDFLOWER

BH.04.03.CC

### Description

- SB.04.27 - 27½" sliding shower bar
- HE.150 - 59" hose
- HS.04.03 - 4-function hand shower

### Flow Rate

- 2 gpm | 7.6 lpm | 60 psi

### Available Finishes

- Chrome (CC)

### Codes / Standards

- Uniform Plumbing Code (UPC®)
- ASME A112.18.1/CSA B125.1
- ASSE 1016

### Warranty

- Limited lifetime warranty  
(see full warranty for details)



### SQUARE WALL SUPPLY ELBOW

EC.01.01

#### Description

- Square brass elbow connector with 1/2" female NPT connection

#### Available Finishes

- Chrome (CC)
- Brushed Nickel (BN)
- Matte Black (MB)

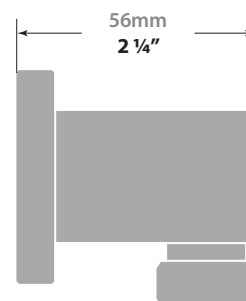
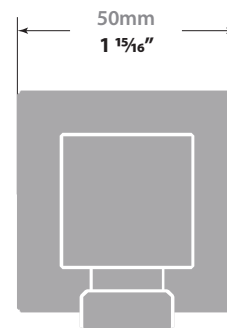
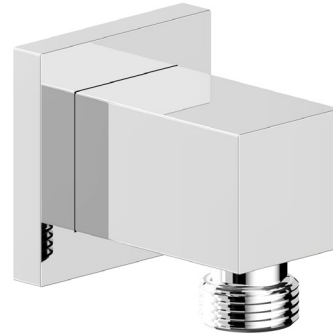
(Model Pictured: Chrome)

#### Codes / Standards

- Uniform Plumbing Code (UPC®)
- ASME A112.18.1/CSA B125.1

#### Warranty

- Limited lifetime warranty (see full warranty for details)



### ANTAU TUB SPOUT

TS.04.07.CC

#### Description

- Brass tub spout with 1/2" female NPT connection

#### Available Finishes

- Chrome (CC)

#### Codes / Standards

- Uniform Plumbing Code (UPC®)
- ASME A112.18.1/CSA B125.1
- ASSE 1016

#### Warranty

- Limited lifetime warranty (see full warranty for details)

