

# Piccolo



## Slim Profile Bathroom Fan Heater



### Features

#### Color

- Standard: white.

#### Finish

- Standard: epoxy/polyester anti-rust powder coating resistant to UV rays.

#### Voltage

- 240V, 1-phase.

#### Construction

- Steel cabinet featuring rounded corners and splash-proof construction for safe installation in the bathroom. **1**
- Bottom air outlet directs the warm air downwards, towards the centre of the room.
- High-limit temperature control that will turn the heater off in case of overheating, with main power interruption reset.

#### Fan

- Quiet squirrel-cage fan. **2**
- Factory-lubricated motor.

#### Heating element

- Nickel-chromium alloy stitched wire, providing instant heat.

#### Control

- Built-in electronic proportional-action digital thermostat, located on the front panel, for regulated heating. **3**
- Electronic timer, 5-90 minutes, with indicator light, for accelerated heating.
- LCD backlit display with digital controls lockable by key combination.
- Temperature display format ("C or "F).
- "On-Off" button with indicator light.
- "24-hr" button with indicator light stores the "Chrono" mode setting, for daily bathroom preheating.
- Heating indicator light.

#### Installation

- Recess mounting in 2 in. X 4 in. stud partitions with gypsum.
- Direct connection to the power cable through a knock-out in the upper left corner.
- Removable front panel for the installation.

#### Warranty

- 2-year warranty against defects.
- 5-year warranty on the heating element.

#### Application

- Bathroom, entrance way.

The Piccolo has been specially designed for bathrooms with very little wall space and is the thinnest recessed heater on the market.

It features a 750W fan combined with a timer offering 1500W of intense heat on demand. There's no need to feel cold when getting out of the bath or shower ever again!



1

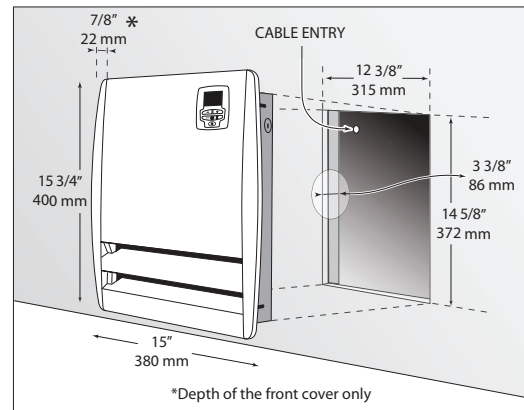


2



3

Recommended installation height		Minimum clearances					
in.	mm	Front		Sides		Below	
		in.	mm	in.	mm	in.	mm
12	305	24	610	4	102	8	203
		12	305				



### Model

Product #	Price	Volts	Watts		Weight	
			Regulated power (standard)	Maximum power (timer)	lb	kg
7831-C15-BB	424.00	240	750	1500	12.4	5.6

