

# Calypso



## INSTALLATION AND CONNECTION

**Installation height** 10 in (25 cm).

**Clearances**

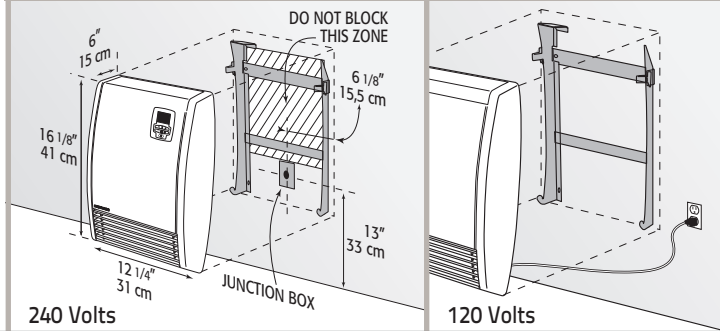
■ Front: 20 in (50 cm) ◀ Sides: 4 in (10 cm) ▲ Above: 12 in (30 cm).

**Installation** Quick-mounted surface installation with easy snap-on bracket that also serves as marking template.

**Connection 240-V unit:** Flexible cord connection, including junction box. Installation requires 2 in X 3 in wall box (not included).


120-V unit: Plug-in connection with 6 ft flexible cord.

**Note** 3-conductor cable or 2-conductor cable with a third wire should be used if unit is to be linked with the Convectair Programmer module (7392 FP).



## HEATING ELEMENT

**Total capacity** 1500 (120V) and 2000 W (240V)

 **Fan-forced heat (750 (120V) or 1000 W (240V))** Low-thermal-mass heating element combined with low-pressure tangential blower.

**Quick heat option (750 (120V) or 1000 W (240V))** Low-thermal-mass heating element combined with low-pressure tangential blower.

**Thermal protection** Resettable overheat protection. Reset by turning heater off.

## TEMPERATURE CONTROL

 **Electronic thermostat** Built-in electronic proportional-action thermostat for the basic heating.

**Electronic timer** with indicator light, for 5 to 90 minutes of accelerated heating.

**Programmer** Programmer-compatible, pilot wire only.

## CONTROL PANEL

 **Location** Front panel.

**LCD screen** Back-lit with controls lockable by key combination.

**On/Off button** with indicator light.

**Timer button** with indicator light.

**24-hr button** with indicator light stores the Chrono setting, for daily bathroom preheating.

**<< + and - >> buttons** control the temperature setting.

**Locked** indicator light.

**Heating** indicator light.

## CABINET



 **Steel** construction with polyester/epoxy anti-rust powder coating and resistant to UV rays.

**Cabinet** Splash-proof construction with rounded edges and built-in side wire covers.

**Louvers** Bottom grille directs the hot air downwards, towards the centre of the room.

**Filter** Easy-to-clean, removable rear-mounted lint filter for easier maintenance.

**Colour BB** = White **BM** = Mimetic White

| MODEL  | Catalogue No. | Colour | Power          |       | Height |        | Width |        | Depth |    | Net Weight |      |
|--|---------------|--------|----------------|-------|--------|--------|-------|--------|-------|----|------------|------|
|  |               |        | 240 V          | 208 V | cm     | in     | cm    | in     | cm    | in | kg         | lb   |
| CALYPSO ②  | 7825-C20      | BB BM  | 1000 - 2000 W  |       | 41     | 16 1/8 | 31    | 12 1/4 | 15    | 6  | 5,4        | 11,9 |
| <b>120 VOLTS   PLUG-IN</b> |               |        |                |       |        |        |       |        |       |    |            |      |
| CALYPSO ④  | 7825-B15      | BB     | 750 W - 1500 W |       | 41     | 16 1/8 | 31    | 12 1/4 | 15    | 6  | 5,4        | 11,9 |

② Compatible with the Programmer system (see technical specifications for catalogue number 7392).

④ Not compatible with the Programmer system. For use with 120 V outlets.

For guaranteed, dependable operation, we recommend that all units be installed by a licensed electrical contractor. Consult [convectair.com](http://convectair.com) to find the most recent installation instructions for our heaters.

