

Samba III

Convection and Fan Heater



Surface

Recessed



Features

Color

- Standard: white.
- Optional (upcharge applicable): almond, metallic silver, bronze, metallic charcoal, aluminum, semi-gloss black, sand.
- Custom colors available upon request.

Finish

- Standard: epoxy/polyester powder paint.

Voltage

- 240V, 1-phase.

Construction

- Cast aluminum front cover. **1**
- Steel bar grilles prevent the insertion of foreign objects; smooth-finish paint is washable and anti-yellowing.
- High-limit temperature control with automatic reset.
- Built-in white LED night light. **2**

Fan

- Quiet squirrel-cage fan.
- Factory-lubricated motor.

Heating element

- Helical coil nickel-chromium alloy wire protected by ceramic insulators.
- Heating element provides instant heat.

Control

- Built-in electronic digital thermostat/timer, located at the top of the unit. **3**
- Thermostat mode: pulse modulation: automatic convection to fan-forced switch-over at 1000W.
- Timer mode: 5-30 minutes full power fan-forced boost.

Installation

- May be surface-mounted without adaptor or recessed in 2 in. X 3 in. stud partitions.
- Mounting holes for ease of installation.
- Large wiring compartment.

Warranty

- 5-year warranty against defects.

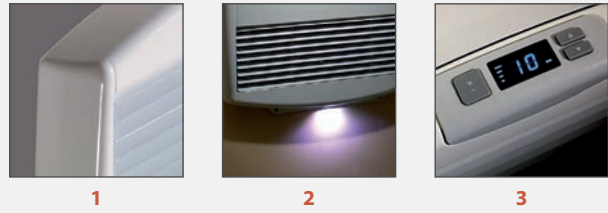
Application

- Bathroom, kitchen, living room, family room, entrance way.

The Samba III combines the silent operation of convection heat with the power of a fan-forced heater.

It offers a total power of 2000W controlled by an ultra-precise electronic thermostat.

Its cast-aluminum front combines elegance and durability, making this unit an ideal choice for bathrooms and hallways.

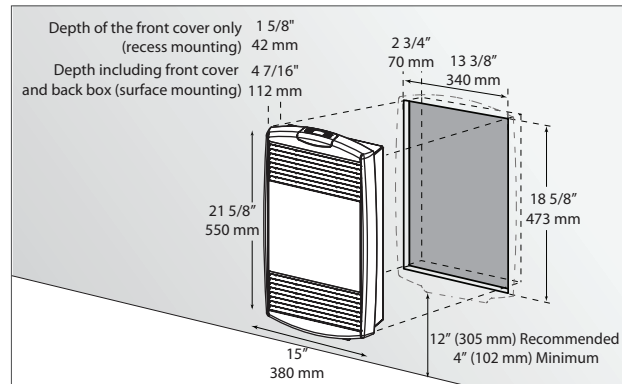


1

2

3

Recommended installation height		Minimum clearances							
		Front		Sides		Above		Below	
in.	mm	in.	mm	in.	mm	in.	mm	in.	mm
12	305	48	1200	1	25	36	914	4	102



Model

Product #	Price	Volts	Watts	Weight	
				lb	kg
7839-C20-BB ¹	655.00	240	2000	22.75	10.3

¹BEWARE: Not available for 208V.

