

# Soprano

## Compact Wall Fan Heater



### Features

#### Color

- Standard: white.

#### Finish

- Standard: epoxy/polyester anti-rust powder coating resistant to UV rays.

#### Voltage

- 240V, 1-phase.

#### Construction

- Steel cabinet featuring rounded corners and splash-proof construction for safe installation in the bathroom. **1**
- Warm air outlet that directs the air downwards, towards the center of the room. **2**
- Two high-limit temperature controls that will turn the heater off in case of overheating, with main power interruption reset.

#### Fan

- Quiet squirrel-cage fan. **3**
- Factory-lubricated motor.

#### Heating element

- Nickel-chromium alloy stitched wire, providing instant heat.

#### Control

- Line voltage control circuit for thermostat, timer or switch (not included, must be compatible with the selected voltage and wattage of the heater).

*Note: If an electronic thermostat is used, it must be compatible with forced-air heaters.*

#### Installation

- Wattage must be selected at the time of wiring (750W or 1500W).
- Quick surface-mounted installation, with the included wall mounting bracket.
- Flexible cable with electrical wall box cover plate included.
- Requires installation of a wall electrical box not supplied.

#### Warranty

- 2-year warranty against defects.
- 5-year warranty on the heating element.

#### Application

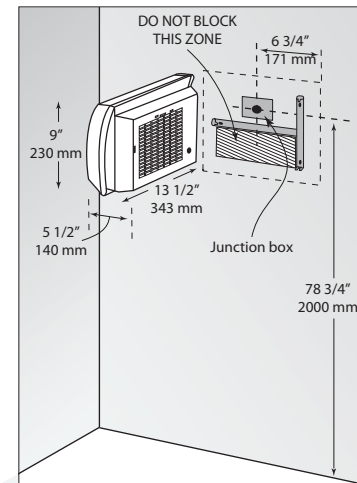
- Bathroom, entrance way, stairwell.

The Soprano is perfect for rooms with very little wall space. As well as being very compact, it is installed high up, which leaves space at the bottom of walls.

Two wattages are available at installation, 750W and 1500W, and it can be connected to a wall thermostat or timer according to your needs.



Recommended installation height		Minimum clearances							
		Front		Sides		Above		Below	
in.	mm	in.	mm	in.	mm	in.	mm		
70 7/8	1800	40	1020	4	102	12	305	70 7/8	1800



### Model

Product #	Volts	Watts <sup>1</sup>	Weight	
			lb	kg
7809-C15-BB	240	750 1500	6.4	2.9

<sup>1</sup>Wattage must be selected on site (750W or 1500W).

