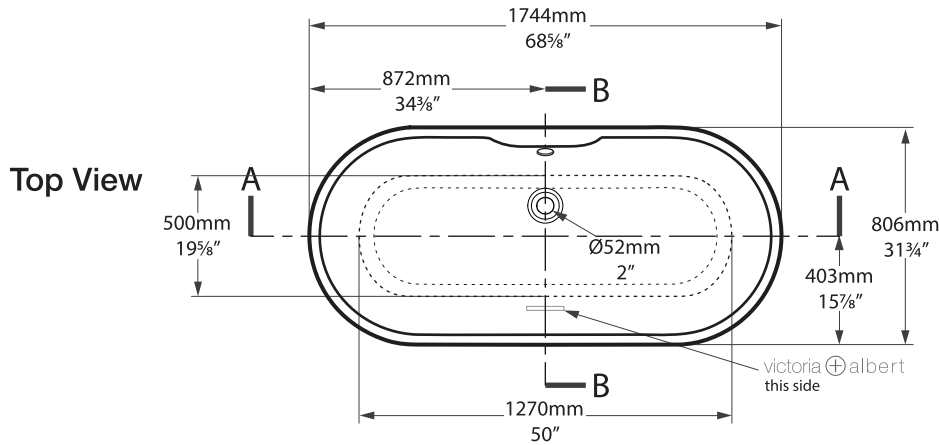
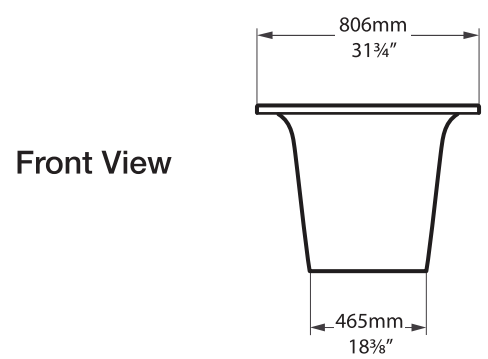


Monaco

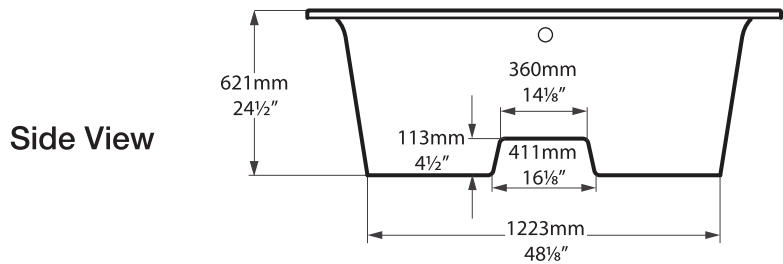
MON-N-SW



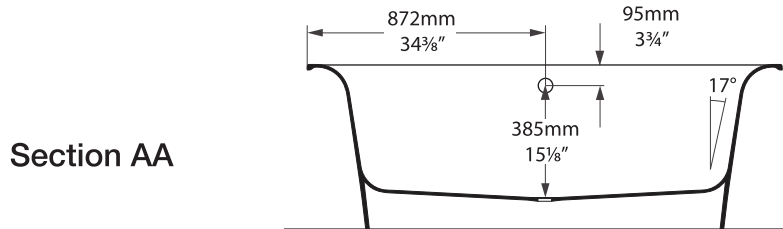
Top View



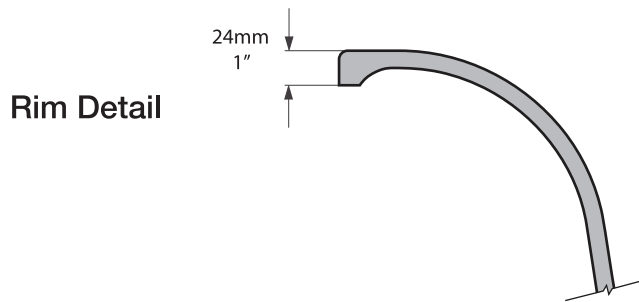
Front View



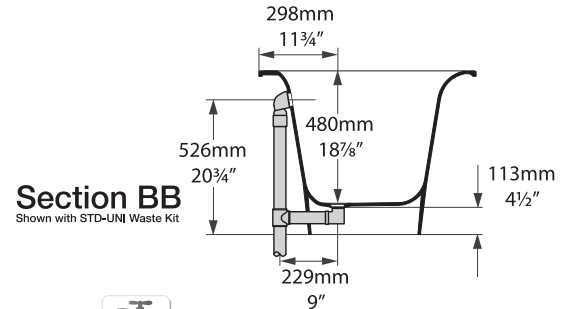
Side View



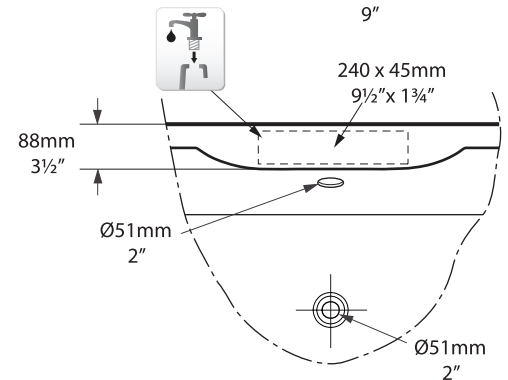
Section AA



Rim Detail

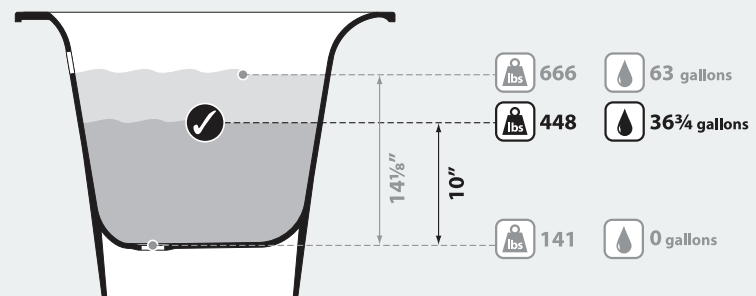
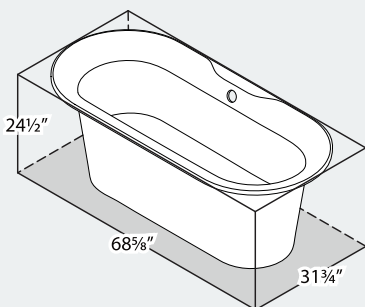


Section BB
Shown with STD-UN Waste Kit



Faucet can be drilled by installer
Les trous de robinetterie peuvent être percés par l'installateur
Pueden ser perforados por el instalador

*All measurements subject to +/- 5% tolerance



.dwg | .dxf | .skp www.vandabaths.com



Massachusetts Code: File No. P3-0114-285
cUPC Listing by IAPMO: File No. 6574

