



COLOUR OPTIONS ARE MADE TO ORDER - NO REFUND - NO RETURN -

BLACK FINISH
MODEL No: STTLD4836L2 (LEFT HAND DRAIN)
MODEL No: STTLD4836R2 (RIGHT HAND DRAIN)

BISCUIT FINISH
MODEL No: STTLD4836L3 (LEFT HAND DRAIN)
MODEL No: STTLD4836R3 (RIGHT HAND DRAIN)

Valley's triple threshold, offset linear drain acrylic shower bases have three openings and a tiling flange across the back wall. Complies with CSA & IAPMO standards.

DESCRIPTION:
<ul style="list-style-type: none"> • Triple Threshold / Opening • White finish • Off-set Drain location • Default white linear drain cover included • High gloss / Crack-resistant acrylic • Made in Canada • Complies with CSA & IAPMO standards.

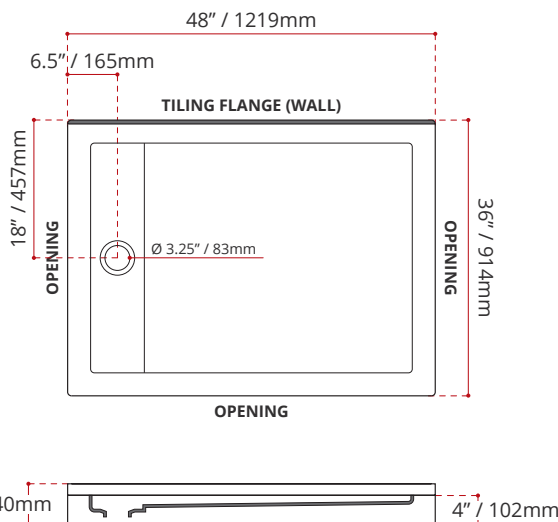
CUSTOMIZE YOUR SHOWER BASE

ALL UPCHARGE OPTIONS ARE MADE TO ORDER - NO REFUND - NO RETURN -

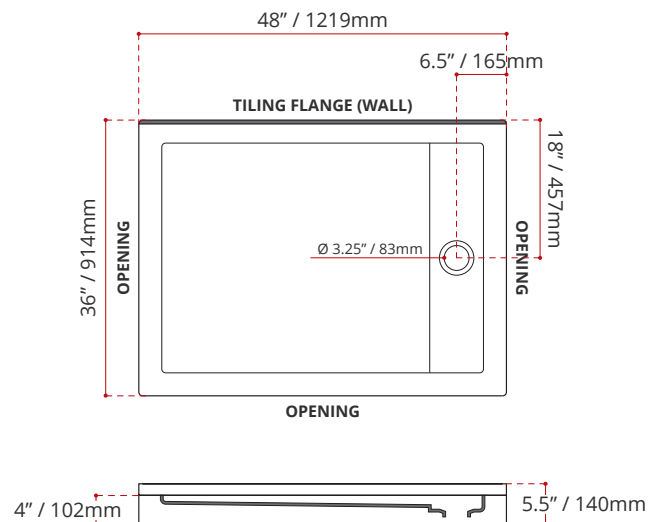
AVAILABLE CUSTOMIZATION OPTIONS	MODEL No.
TEXTURED BOTTOM	C4
DOUBLE TILING FLANGE	C5
TEXTURED BOTTOM + DOUBLE TILING FLANGE	C45

SHIPPING INFORMATION:
<ul style="list-style-type: none"> <li style="width: 50%;">• Length: 50" / 1270mm <li style="width: 50%;">• Net Weight: 20 kg / 44lbs <li style="width: 50%;">• Width: 38" / 956mm <li style="width: 50%;">• Gross Weight: 23 kg / 51lbs <li style="width: 50%;">• Height: 8" / 203mm

STTLD4836L1
(LEFT HAND DRAIN LOCATION)



STTLD4836R1
(RIGHT HAND DRAIN LOCATION)



DISCLAIMER: Measurements may vary ±1/4" (Diagram Not to scale)

