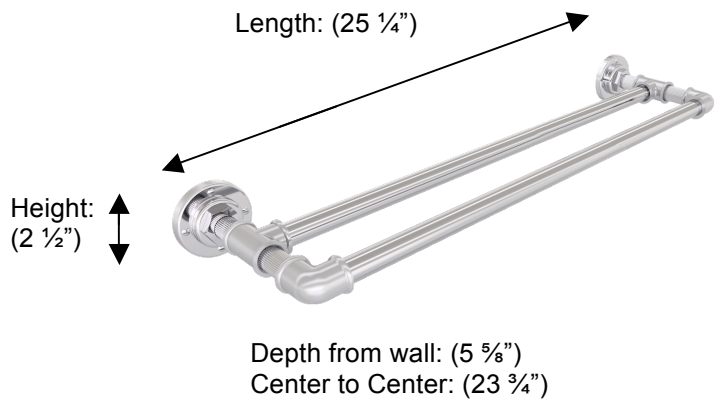




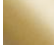
# POMBO™ INDUSTRIAL

## PI145060 Double Towel Rail, 24"

**Description:**

Double Towel Rail, 24"

**Finishes:**

-  CR – Chrome
-  PV – Polished Brass
-  UB – Unlacquered Brass

**Material:**

Brass

**Backplate:** (2 ½")

**Method of Attachment:**

Direct to wall

**Country of Origin:**

Portugal



All Dimensions are approximate