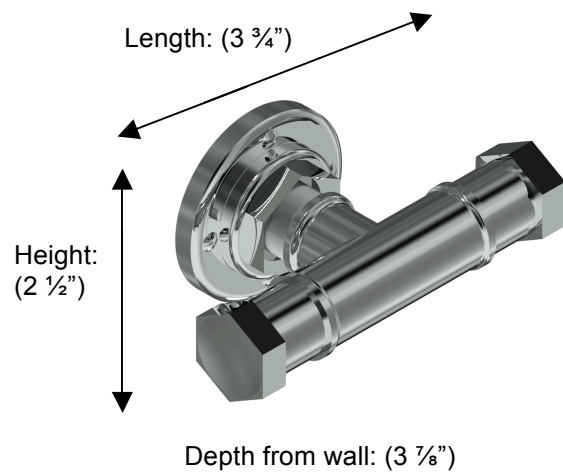





POMBO™ INDUSTRIAL

PI102 Double Robe Hook



Description:
Double Robe Hook

Finishes:

-  CR – Chrome
-  PV – Polished Brass
-  UB – Unlacquered Brass

Material:
Brass

Backplate: (2 1/2")

Method of Attachment:
Direct to wall

Country of Origin:	Portugal
---------------------------	----------



All Dimensions are approximate