



Stainless Frame



Integrated Frame



Integrated Solid

Additional Options

- Accessory panels are designed for easy installation on Integrated models
- Stainless lock model available



Stainless Handleless Panel



Stainless Lock Model

Key Features

- **Industry Exclusive: Full-depth lower interior maximizes storage options**
- **Industry Leading: Variable speed compressor delivers maximum energy efficiency, faster temperature response, and quieter operation**
- Stainless steel interior
- Stainless steel cabinet, toe kick, and accents
- U-Adjust™ Interior: 19 adjustable positions
- Seven removable, full-extension wine racks
- Wine racks accommodate a variety of bottle shapes and sizes and can be configured to store champagne and magnum bottles
- Convection cooling system provides a quick cool down and consistent temperature
- Temperature range: 33°F - 70°F
- Adjustable bright white or blue LED lighting
- Soft close door with articulating hinge
- Volume of 5.2 cu ft holds up to 49 wine bottles (750 ml)
- Digital touch pad control with blue LED display
- Stainless steel handle (7/8" diameter)
- Integrated model requires 3/4" custom door panel and handle (not supplied by U-Line)
- Field reversible door is shipped right-hand hinged
- Built-in or freestanding
- Four adjustable leveling legs

MODEL DETAILS

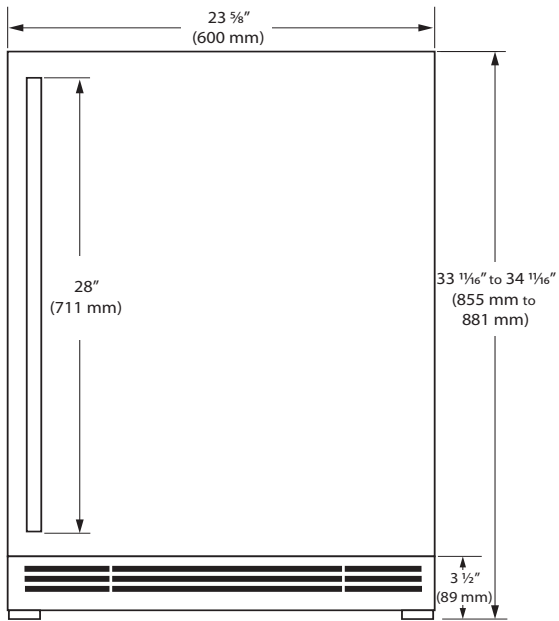
Model	Voltage/Hz	Door Swing	Finish	Shipping Weight
UHWC524-SG01A	115 / 60	Field Reversible	Stainless Frame	163 lb
UHWC524-SG41A	115 / 60	Right-Hand Hinged	Stainless Frame (with lock)	163 lb
UHWC524-SG51A	115 / 60	Left-Hand Hinged	Stainless Frame (with lock)	163 lb
UHWC524-IG01A	115 / 60	Field Reversible	Integrated Frame	156 lb
UHWC524-IS01A	115 / 60	Field Reversible	Integrated Solid	139 lb

ACCESSORIES

Model	Description	Finish	Shipping Weight
ULAGRILLE24	Adjustable Grille (Accepts Integrated Panel)	Black	3 lb
ULASHP24FRAME*	Stainless Handleless Panel Frame	Stainless	10 lb
ULASHP24SOLID*	Stainless Handleless Panel Solid	Stainless	15 lb

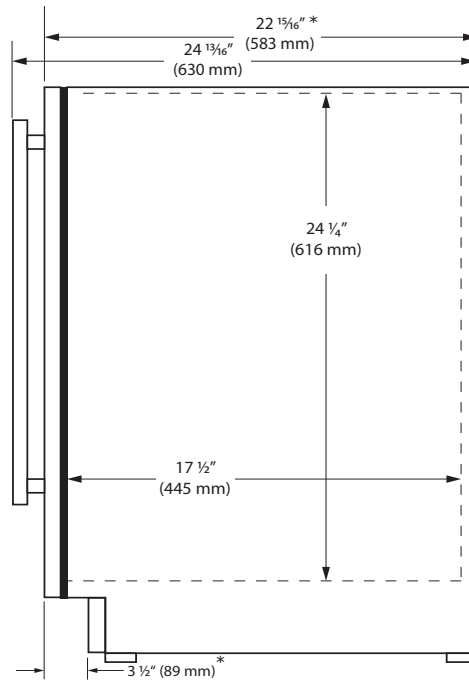
*Installs on integrated models.

Front

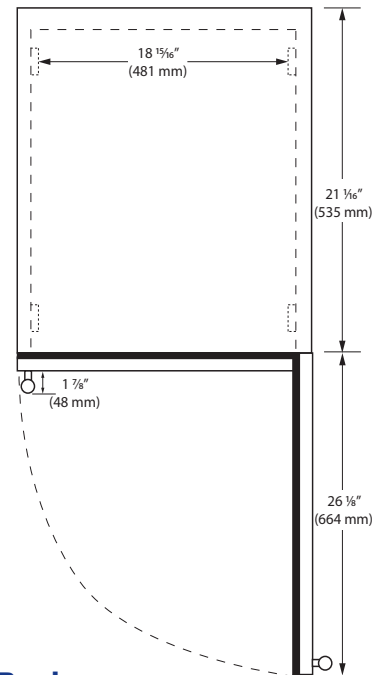


Side HWC524 • 24\"/>

*Add 1/2\"/>



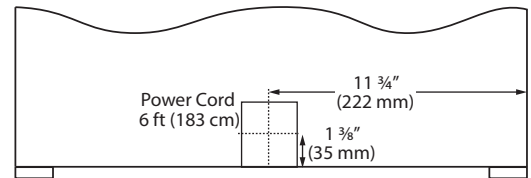
Top



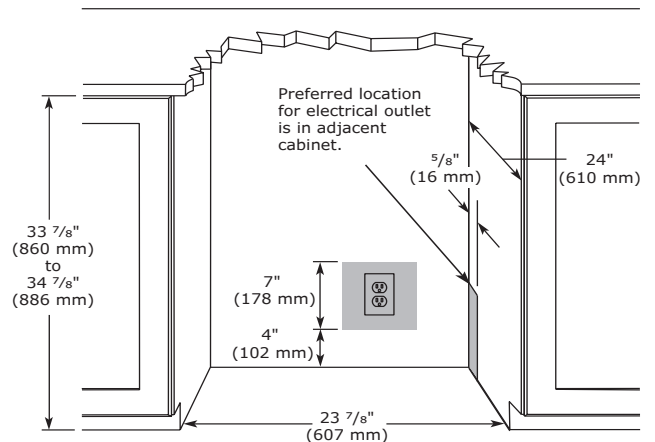
Specifications

Model	HWC524
Amps: Running	1.2
Capacity: Bottle (12 oz)	N/A
Capacity: Can (12 oz)	N/A
Capacity: Volume (cu ft)	5.2
Capacity: Wine Bottle (750 ml)	49
Dimensions: Product Depth	22 15/16\"/>
Dimensions: Product Height (Min.)	33 11/16\"/>
Dimensions: Product Width	23 5/8\"/>
Energy Consumption: Avg. Per Year	275 - 305 kWh
ENERGY STAR (glass door)	No
ENERGY STAR (solid door)	Yes
Panel Height	30\"/>
Panel Thickness	3/4\"/>
Panel Type	2 3/4\"/>
Panel Width	23 1/2\"/>
Product Weight: Max	163 lb
Refrigerant Type:	R600a
Sabbath (Star K Certified)	Yes
Temperature Range	33°F - 70°F

Back



Cabinet Cut-Out



Installation Notes

- No additional clearance is needed for ventilation
- Do not obstruct front grille air flow

Warranty

- 2 Year (parts & labor) / 5 year sealed system (parts)
- + **Additional 1 Year (parts & labor) warranty at no cost with product registration**



See complete warranty for details

Please visit u-line.com to view this model's User Guide & Service Manual. All Specifications are subject to change without notice.

