



Stainless Solid



Black Solid



Integrated Solid

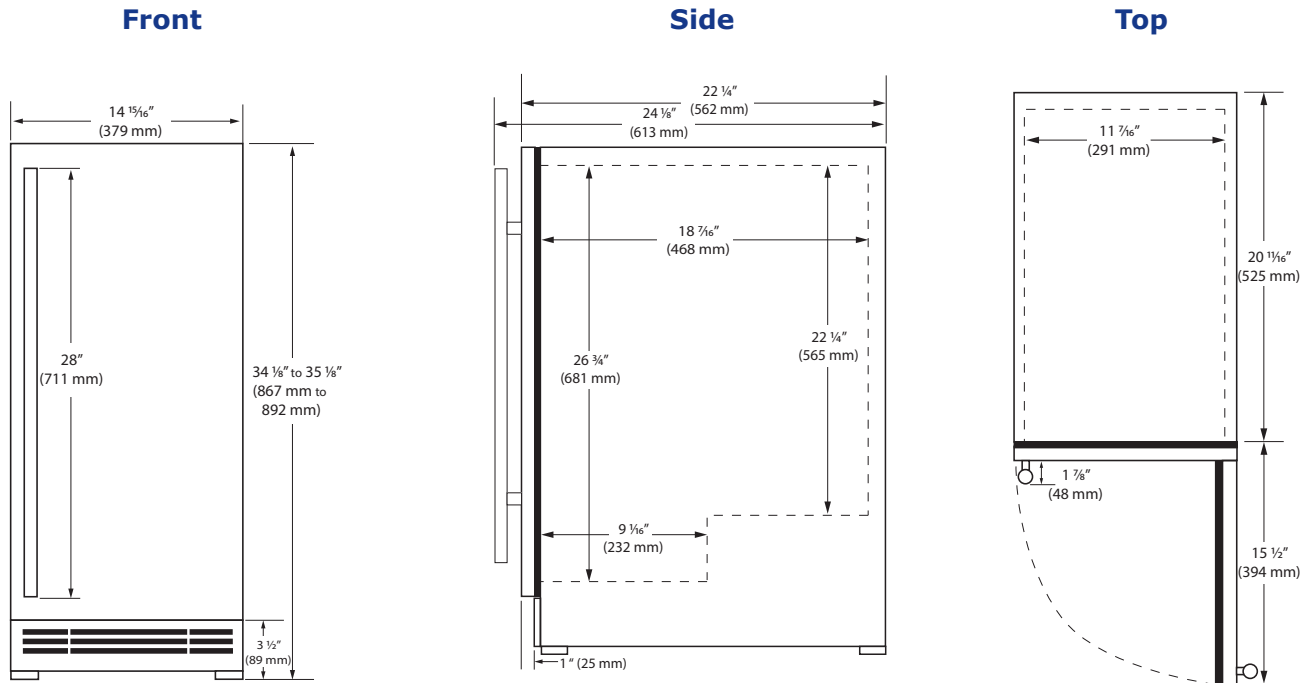
### Key Features

- Convection cooling system provides a quick cool down and consistent temperature
- Black interior
- Stainless steel full-wrap door and handle (7/8" diameter)
- Stainless steel grille (stainless model), black metal grille (black & integrated models)
- Three adjustable tempered glass shelves
- Digital touch pad control
- Temperature range: 34°F to 60°F
- Bright white LED lighting
- Volume of 3.1 cu ft holds up to 57 bottles (12 oz) or 92 cans (12 oz)
- Field reversible door is shipped right-hand hinged
- Built-in or freestanding
- Four adjustable leveling legs

### Model Details

| Model         | Voltage/Hz | Door Swing       | Finish           | Shipping Weight |
|---------------|------------|------------------|------------------|-----------------|
| UHRE115-SS01A | 115 / 60   | Field Reversible | Stainless Solid  | 87 lb           |
| UHRE115-BS01A | 115 / 60   | Field Reversible | Black Solid      | 87 lb           |
| UHRE115-IS01A | 115 / 60   | Field Reversible | Integrated Solid | 81 lb           |

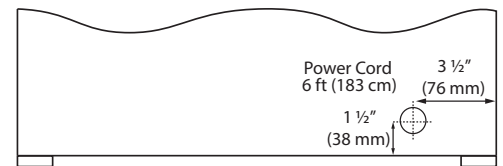




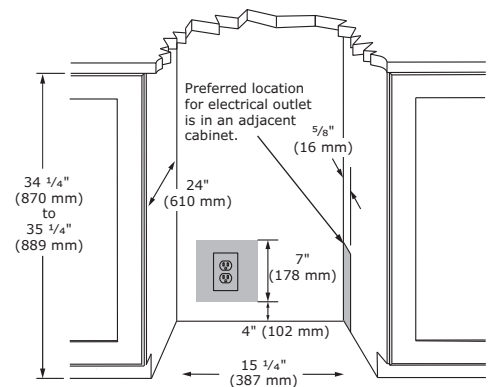
### Specifications

|                                   |                    |
|-----------------------------------|--------------------|
| Model                             | HRE115             |
| Amps: Running (115 v)             | 1.2 A              |
| Capacity Bottle                   | 57                 |
| Capacity Can                      | 92                 |
| Capacity: Total Volume (cu ft)    | 3.1 cu ft          |
| Dimensions: Product Depth         | 22 1/4" / 562 mm   |
| Dimensions: Product Height        | 34 1/8" / 867 mm   |
| Dimensions: Product Width         | 14 15/16" / 379 mm |
| ENERGY STAR                       | Tier 3             |
| Energy Consumption: Avg. Per Year | 225 kWh            |
| Panel Height                      | 30 1/4" / 768 mm   |
| Panel Thickness                   | 3/4" / 20 mm       |
| Panel Type                        | Solid Panel        |
| Panel Width                       | 14 3/4" / 375 mm   |
| Refrigerant Type                  | R600a              |
| Sabbath (Star K Certified)        | Yes                |
| Temperature Range                 | 34°F to 60°F       |

### Back



### Cabinet Cut-Out



### Warranty

- 1 Year (parts & labor) / 5 year sealed system (parts)
- + **Additional 1 Year (parts & labor) warranty at no cost with product registration**

See complete warranty for details



### Installation Notes

- 15" cutout width sufficient if door protrudes beyond adjacent cabinetry
- No additional clearance is needed for ventilation
- Do not obstruct front grille air flow



Please visit [u-line.com](http://u-line.com) to view this model's User Guide & Service Manual. All Specifications are subject to change without notice.

8900 North 55th Street • Milwaukee, Wisconsin 53223 USA • +1.414.354.0300 • [sales@u-line.com](mailto:sales@u-line.com) • [u-line.com](http://u-line.com)