



STAINLESS SOLID



INTEGRATED SOLID



BLACK SOLID



WHITE SOLID

FEATURES & BENEFITS

PERFORMANCE	<ul style="list-style-type: none"> • Daily ice production of up to 60 lbs of ice • Up to 30 lbs in ice storage capacity • Clear ice cube dimensions: 7/8" W x 7/8" H x 7/8" L • Clear ice cube fullness can be adjusted • Silent setting temporarily suspends ice making for 3 hours • Digital Touch Pad Control is conveniently located on face of unit • Indicator alert notifies user when cleaning is needed • Easy clean process only lasts 45 minutes
INTERIOR/EXTERIOR	<ul style="list-style-type: none"> • White interior is illuminated with LED lighting • Clear heavy duty ice scoop included • Drain required • Factory installed drain pump model recommended if a gravity drain is not accessible • Stainless steel handle (7/8" diameter) • Door swing is field reversible, and is shipped right hand hinged
INTEGRATION	<ul style="list-style-type: none"> • Unit is designed to be built-in or can be freestanding • Integrated model requires 3/4" custom door panel (panels not supplied by U-Line) • Four independently adjustable leveling legs provide a precise undercounter fit • Available in the following finishes: Stainless, Integrated, Black, or White

MODEL DETAILS

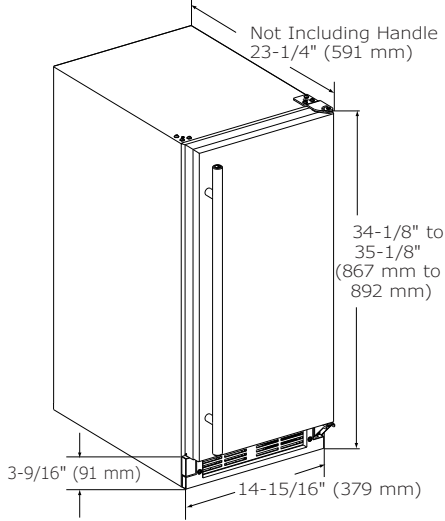
Model	Voltage/Hz	Door Swing	Pump	Finish	Shipping Weight
U-CLR1215S-00B	115 / 60	Field Reversible	-	Stainless Solid	95 lb
U-CLR1215S-40B	115 / 60	Field Reversible	Pump Included	Stainless Solid	101 lb
U-CLR1215INT-00B	115 / 60	Field Reversible	-	Integrated Solid	92 lb
U-CLR1215INT-40B	115 / 60	Field Reversible	Pump Included	Integrated Solid	98 lb
U-CLR1215B-00B	115 / 60	Field Reversible	-	Black Solid	95 lb
U-CLR1215B-40B	115 / 60	Field Reversible	Pump Included	Black Solid	101 lb
U-CLR1215W-00B	115 / 60	Field Reversible	-	White Solid	92 lb
U-CLR1215W-40B	115 / 60	Field Reversible	Pump Included	White Solid	101 lb

ACCESSORIES

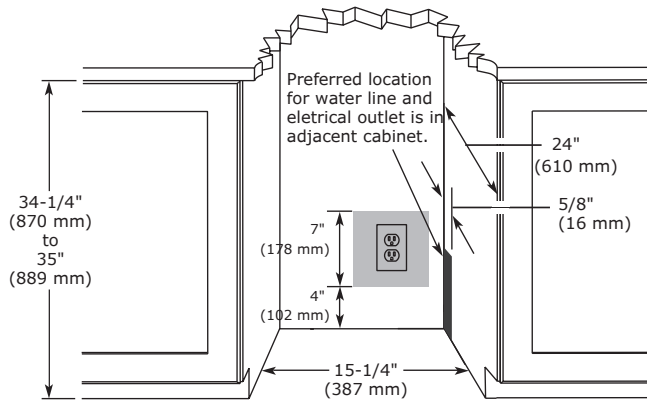
Model	Description	Finish	Shipping Weight
ULACLRCLEAN	Clear Ice Machine Cleaner (1 Box of 6 Packets)	N/A	1 lb
ULAWATERHOOKUP	Braided Water Supply Line Kit	N/A	2 lb

DIMENSIONS

Dimensions shown apply to all finishes, including Integrated (INT) models with 3/4" integrated panel/frame installed.



CABINET CUT-OUT



SPECIFICATIONS

Model	CLR1215
Amps: Running	4
Amps: Ice Harvest	5.5
Control Type	Digital Touch Pad
Defrost Type	N/A
Dimensions: Product Depth	24" / 610 mm
Dimensions: Product Height	34 1/8" / 867 mm
Dimensions: Product Width	14 15/16" / 379 mm
ENERGY STAR	N/A
Ice Production Per Day	60 lb
Ice Storage	30 lb
Panel Height	30 1/4" / 768 mm
Panel Thickness	3/4" / 20 mm
Panel Type	Solid Panel
Panel Width	14 3/4" / 375 mm
Product Weight: Max	91 lb
Refrigerant Type	R134a
Sabbath (Star K Certified)	Yes

INSTALLATION NOTES

- When installing adjacent to wall, ensure 2 1/2" clearance on hinged side for 90° door opening, allowing ample room for door handle.
- No additional clearance around sides, top or rear of unit is needed for ventilation.
- Do not obstruct front grille air flow.

ELECTRICAL REQUIREMENTS

This unit requires a grounded, polarized 115 VAC, 60 Hz, 15 A power supply (normal household current).

- 1 Year (parts & labor) / 5 year sealed system (parts)
- + **Additional 1 Year (parts & labor) warranty at no cost with product registration**

See complete warranty for details



Please visit u-line.com to view this model's User Guide & Service Manual. All Specifications are subject to change without notice.