

MODEL RFU 837

TOP - MOUNT / UNDERMOUNT TYPE

GENERAL

Fine quality sink bowl formed of 18 gauge BA 304 18/10 nickel bearing stainless steel.
Includes installation hardware
Use for standart 36" cabinet

DESIGN FEATURES

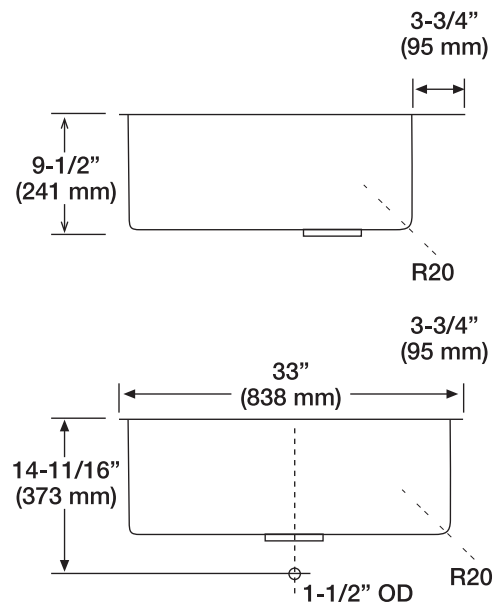
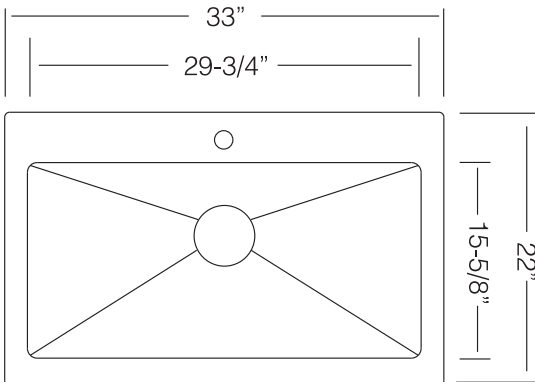
Bowl Depth : 9"
Finish : Satin / Brushed
Underside : Sound absorption technology
Drain Opening : 3-1/2"

OPTIONAL ACCESSORIES

Stainless Steel Bottom Grid
Wood Cutting Board
Glass Cutting Board
Stainless Steel Colander
Drying Rack

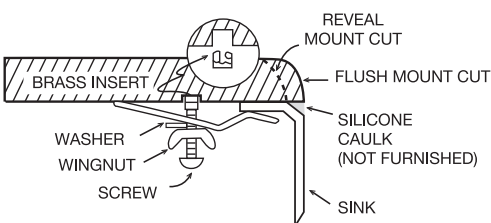


SINK DIMENSIONS (INCHES)

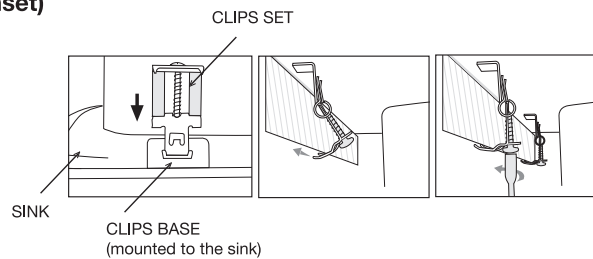


INSTALLATION PROFILE*

(Undermount)



(Inset)



Ukinox reserves the right to change product specifications without notice.
Printed in USA © 2019 Ukinox



*Template and countertop mounting clips are packed with every sink