

### MODEL D 537 60 40

**MODEL D 537 60 40R** Reverse Model  
UNDERMOUNT TYPE

#### GENERAL

Fine quality sink bowls formed of 18 gauge BA 304 18/10 nickel bearing stainless steel.

#### DESIGN FEATURES

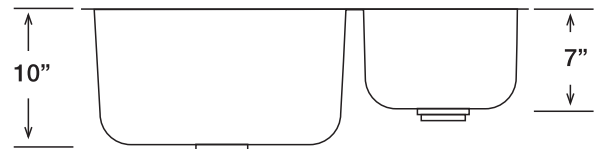
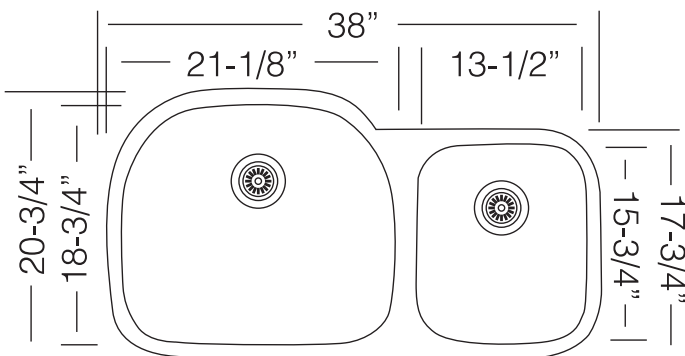
Bowl Depth : 10" large bowl 7" small bowl'  
Finish : Soft Satin Finish  
Underside : Sound absorbing pads and special paint applied to dampen sound  
Drain Opening : 3-1/2" - 3-1/2"

#### OPTIONAL ACCESSORIES

Stainless Steel Bottom Grid  
Stainless Steel Rinsing Basket  
Wood Cutting Board  
Drying Rack

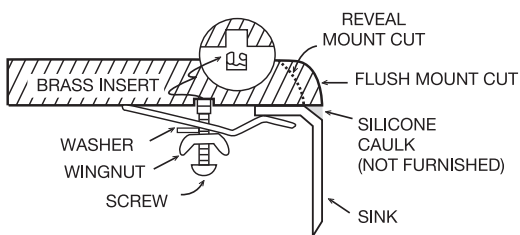


#### SINK DIMENSIONS (INCHES)



Recommended Cabinet Size 42"

#### INSTALLATION PROFILE\*



\*Template and countertop mounting clips are packed with every sink

Ukinox reserves the right to change product specifications without notice.  
Printed in USA © 2019 Ukinox

