

# Quiroga

## Quiroga Antique Copper Double Bowl

(Formally Hammered Antique Copper Corniglia)

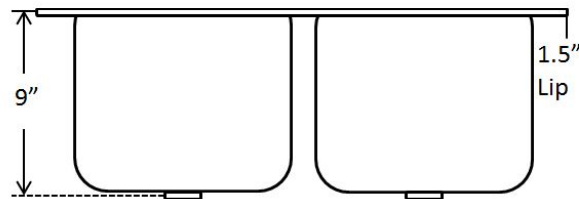
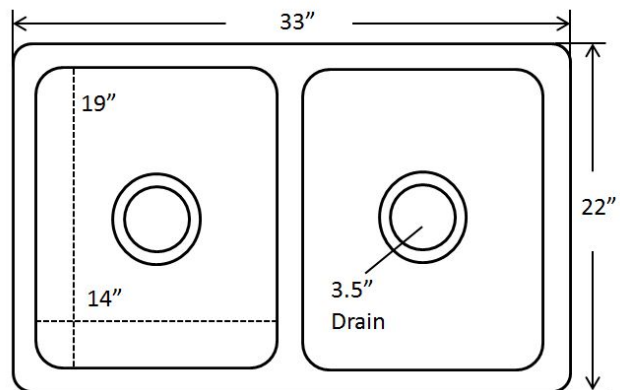


THOMPSON  
TRADERS

Item: KDA-3322AH

- Rectangular hand hammered antique copper 14 gauge
- Easy to clean and maintain
- Sound dampening panels and coating to reduce noise
- Rigorously tested to ensure no puddling or leaking
- Coordinating drain available
- Limited Lifetime Warranty

Dimensions:  
Outer 33" x 22", 9" depth  
Inner 19" x 14", 9" depth



For more information scan our QR code.  
• iPhone open camera and hover over code click on pop-up and it will redirect you  
• Android download QR app Lighting QR and follow instructions



True to the spirit of our ancestry we bring the allure of copper, home.  
With all of our heart.

[www.thompsontraders.com](http://www.thompsontraders.com)