



**Architect/Engineering Specifications:**

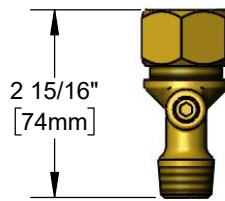
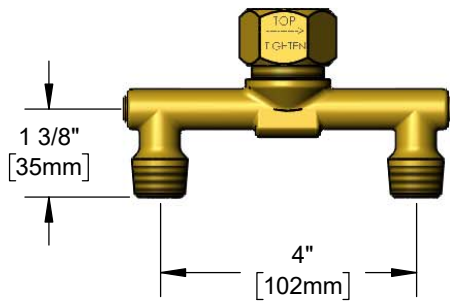
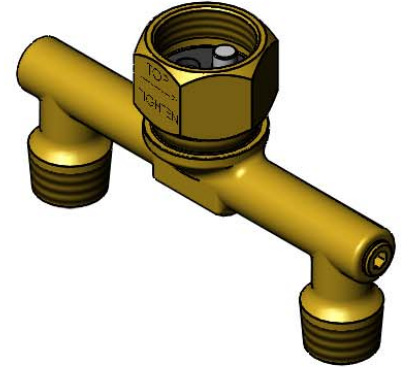
4" brass spreader assembly with 1/2" NPSM coupling nut and washer and 1/2" NPT male inlets. Certified to ASME A112.18.1/CSA B125.1, NSF 61-Section 9, NSF 372.

Job Name \_\_\_\_\_

Model Specified \_\_\_\_\_ Quantity \_\_\_\_\_

Variations Specified \_\_\_\_\_

Date \_\_\_\_\_



**Features & Benefits:**

- 4" brass spreader assembly with washer
- For T&S single hole deck mount pre-rinse faucets
- 1/2" NPT male inlets
- 1/2" NPSM coupling nut
- Material: Brass body

**Product Compliance:**

- ASME A112.18.1 / CSA B125.1
- NSF 61 - Section 9
- NSF 372 (Low Lead Content)



**Warranty:** One Year (Limited)

**Performance Data:**

- N/A

