



T&S BRASS AND BRONZE WORKS, INC.
 2 Saddleback Cove / P.O. Box 1088
 Travelers Rest, SC 29690

Model No.
TSB-2020

Item No.

Travelers Rest, SC: 800-476-4103 • Simi Valley, CA: 800-423-0150 • Fax: 864-834-3518 • www.tsbrass.com

This Space for Architect/Engineer Approval

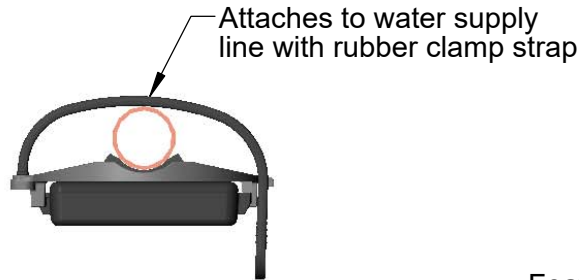
Job Name _____ Date _____

Model Specified _____ Quantity _____

Customer/Wholesaler _____

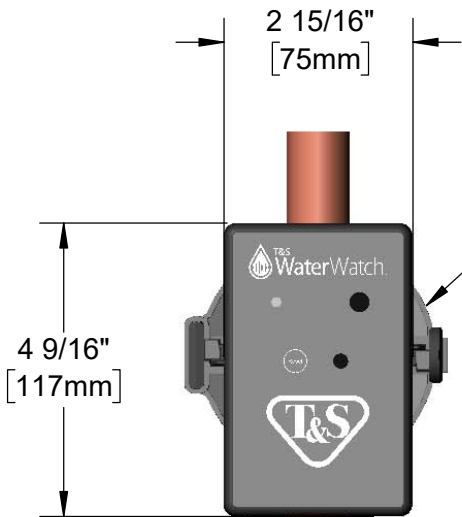
Contractor _____

Architect/Engineer _____

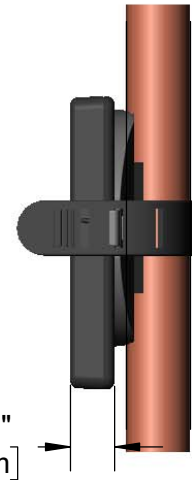


Features:

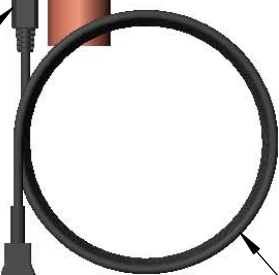
- Monitors water usage and provides access to real time water data
- Provides water consumption reports
- Detects leaks
- Notifies owner of catastrophic failure
- Non-intrusive installation; no plumber required



3 Coupler Sizes:
 Fits tube/pipe diameters from 3/4" to 2 1/8"



Powered via Micro B USB



16' [4876mm] Long USB Cable with Power Adapter

Product Specifications:
 Flow Monitoring Device

Product Compliance:

FCC
 CE