



**T&S BRASS AND BRONZE WORKS, INC.**  
 2 Saddleback Cove / P.O. Box 1088  
 Travelers Rest, SC 29690

Model No.  
**PJ-108H-CH01**

Item No.

Travelers Rest, SC: 800-476-4103 • Simi Valley, CA: 800-423-0150 • Fax: 864-834-3518 • www.tsbrass.com

This Space for Architect/Engineer Approval

Job Name \_\_\_\_\_ Date \_\_\_\_\_

Model Specified \_\_\_\_\_ Quantity \_\_\_\_\_

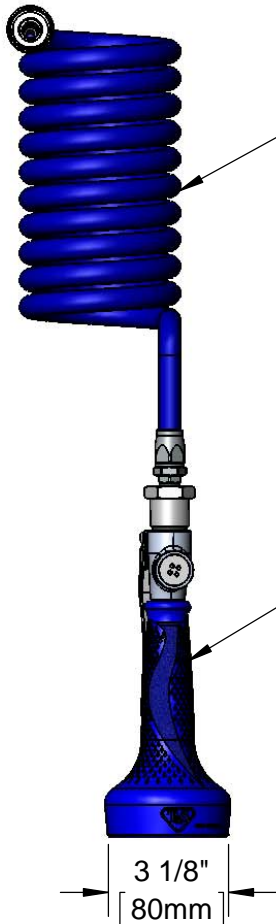
Customer/Wholesaler \_\_\_\_\_

Contractor \_\_\_\_\_

Architect/Engineer \_\_\_\_\_



Garden Hose  
 Female Thread Inlet



Polyurethane  
 Blue Coiled Hose

EB-0108-H  
 Blue High Flow  
 Spray Valve

21 5/8"  
 [550mm]

8"  
 [203mm]

3 1/8"  
 [80mm]

Product Specifications:  
 High Flow Blue Spray Valve, Polyurethane Blue Coiled  
 Hose & Female Garden Hose Inlet

Product Compliance:  
 NSF 61 Exempt (Non-Potable)



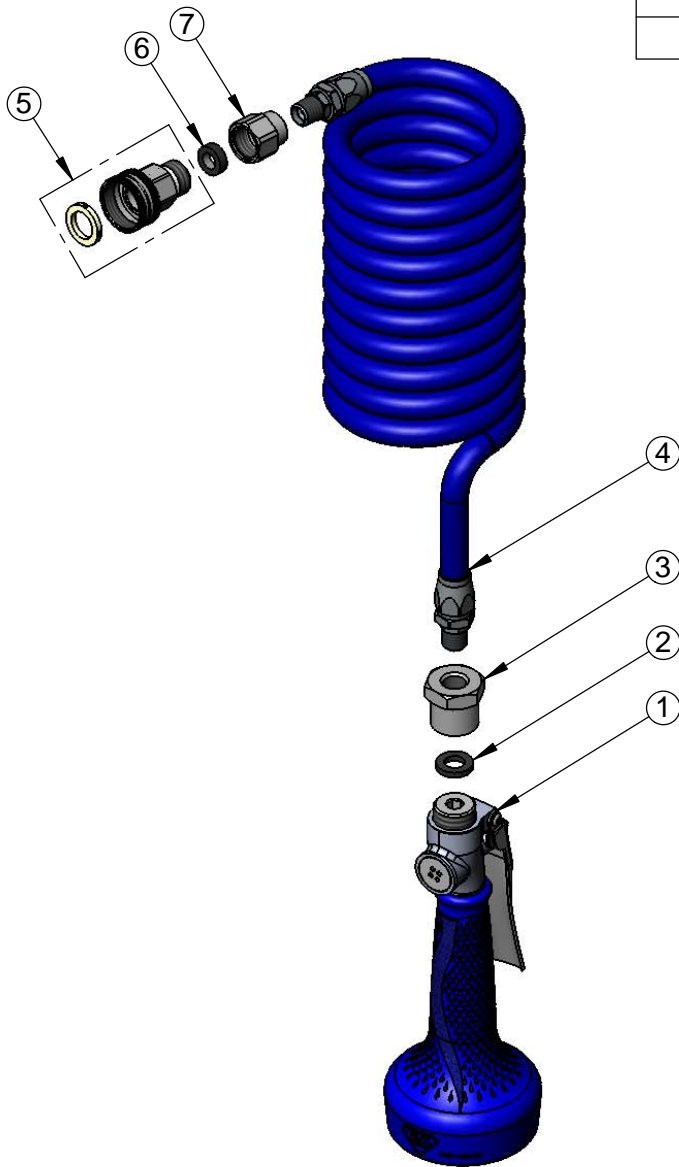
**T&S BRASS AND BRONZE WORKS, INC.**  
 2 Saddleback Cove / P.O. Box 1088  
 Travelers Rest, SC 29690

Model No.  
**PJ-108H-CH01**

Item No.

Travelers Rest, SC: 800-476-4103 • Simi Valley, CA: 800-423-0150 • Fax: 864-834-3518 • www.tsbrass.com

ITEM NO.	SALES NO.	DESCRIPTION
1	EB-0108-H	High Flow Spray Valve
2	001014-45	Washer, B-0100 Hose Barrel
3	016145-25	Adapter
4	013539-45	Blue Coiled Hose
5	059A	3/4-14 UN Male x 3/4-11 1/2 Female Garden Hose Adapter
6	010476-45	#27 Washer
7	000732-25	Hose Outlet Nut



Product Specifications:  
 High Flow Blue Spray Valve, Polyurethane Blue Coiled  
 Hose & Female Garden Hose Inlet

Product Compliance:  
 NSF 61 Exempt (Non-Potable)