



**T&S BRASS AND BRONZE WORKS, INC.**  
 2 Saddleback Cove / P.O. Box 1088  
 Travelers Rest, SC 29690

Model No.  
**PG-8DSAN-XX**

Item No.

Travelers Rest, SC: 800-476-4103 • Simi Valley, CA: 800-423-0150 • Fax: 864-834-3518 • www.tsbrass.com

Model No.	Swing Nozzle	"A"	"B"	"C"
PG-8DSAN-06	059X	6" [152mm]	9 7/16" [239mm]	12 1/2" [318mm]
PG-8DSAN-08	060X	8" [203mm]	10" [254mm]	13 1/8" [333mm]
PG-8DSAN-10	061X	10" [254mm]	10 11/16" [272mm]	13 13/16" [351mm]
PG-8DSAN-12	062X	12" [305mm]	11 3/8" [289mm]	14 1/2" [368mm]

This Space for Architect/Engineer Approval

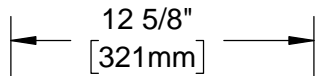
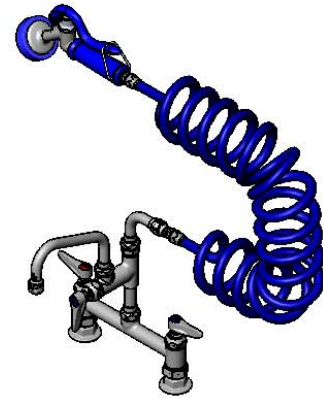
Job Name \_\_\_\_\_ Date \_\_\_\_\_

Model Specified \_\_\_\_\_ Quantity \_\_\_\_\_

Customer/Wholesaler \_\_\_\_\_

Contractor \_\_\_\_\_

Architect/Engineer \_\_\_\_\_



Swing Nozzle w/  
Stream Regulator Outlet  
(See Chart for Size)

Lightweight Aluminum  
Handle w/ Rubber  
Grip & Hold Down Clip

Coiled Polyurethane Hose  
Maximum Stretch Length of 9 ft

B-0166  
Hanger Hook

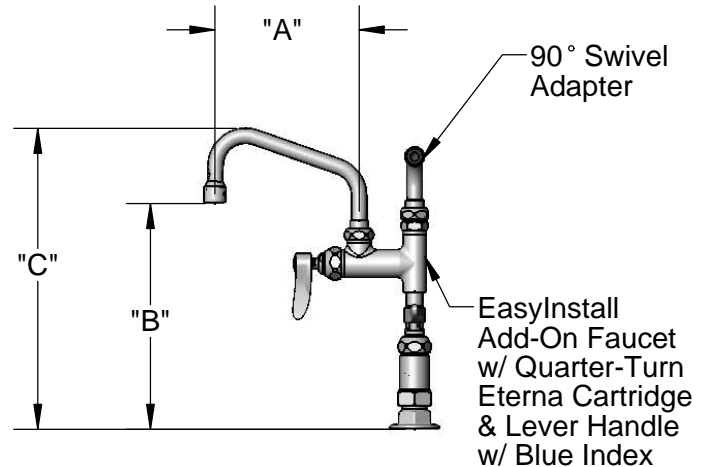
EasyInstall  
Lock Nut &  
Bushing

Quarter-Turn  
Eterna Cartridges w/  
Spring Checks &  
Lever Handles w/  
Color Coded Indexes

5 3/16"  
[131mm]

8"  
[203mm]  
Adjustable From  
7 3/4" to 8 1/4"  
[197mm to 210 mm]

∅2" [51mm]  
Flanges w/  
1/2" NPT  
Female Inlets



**Product Specifications:**  
 Pet Grooming Unit:  
 8" Deck Mount Mixing Faucet, Quarter-Turn Eterna Cartridges w/ Spring Checks, Lever Handles, Add-On Faucet w/ Swing Nozzle, Swivel Arm Less Vacuum Breaker, 9 ft Coiled Polyurethane Hose w/ Angled Aluminum Spray Valve & 1/2" NPT Female Inlets

**Product Compliance:**  
 ASME A112.18.1 / CSA B125.1  
 NSF 61 Exempt (Non-Potable)



# T&S BRASS AND BRONZE WORKS, INC.

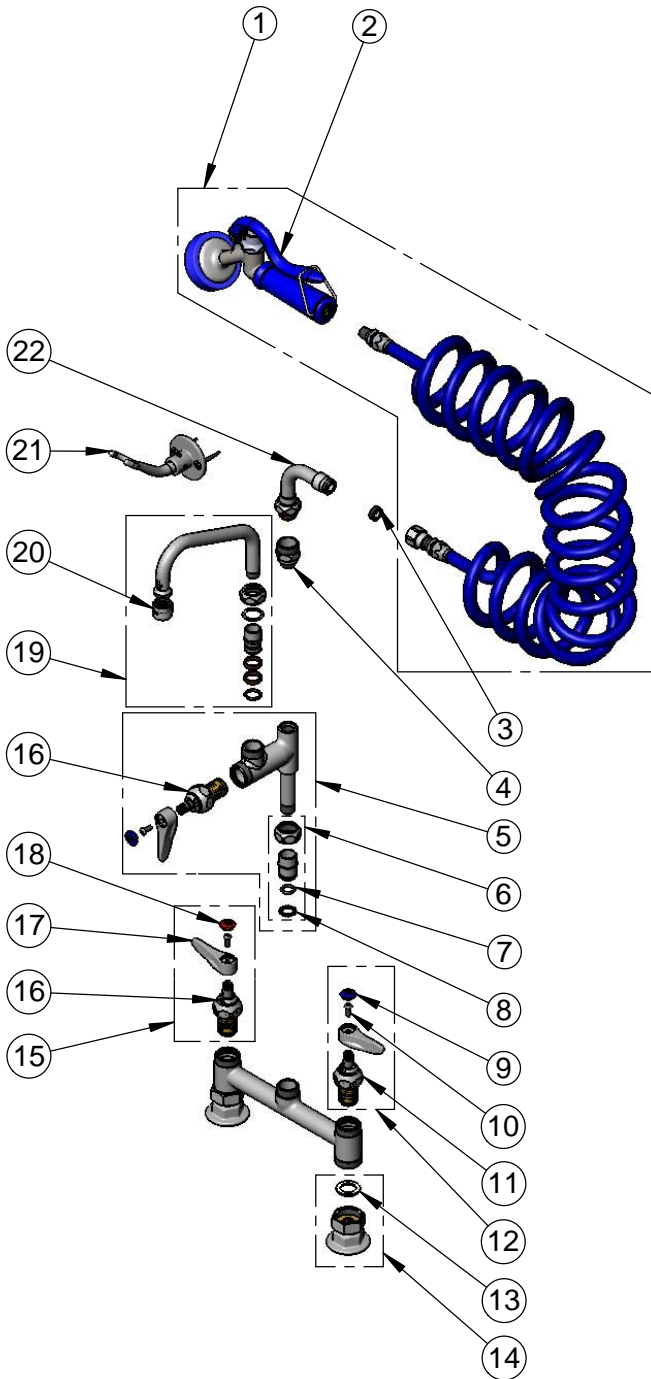
2 Saddleback Cove / P.O. Box 1088  
Travelers Rest, SC 29690

Model No.

**PG-8DSAN-XX**

Item No.

Travelers Rest, SC: 800-476-4103 • Simi Valley, CA: 800-423-0150 • Fax: 864-834-3518 • www.tsbrass.com



ITEM NO.	SALES NO.	DESCRIPTION
1	PG-35AV-CH05	Spray Valve w/ 9' of Coiled Hose
2	PG-35AV	Aluminum 35° Spray Valve
3	010476-45	#27 Washer
4	B-0412	Rigid to Swivel Adapter
5	B-0155-LNEZ	EasyInstall Add-On Faucet, Eterna Cartridge & Lever Handle, Less Nozzle
6	EZ-K	EasyInstall Kit
7	001065-45	O-Ring
8	014200-45	Star Washer, Anti-Rotation
9	018506-19NS	Blue Button Index, Press-in
10	000925-45	Lab Handle Screw
11	012442-40NS	Quarter-Turn Eterna Cartridge w/ Spring Check, LTC
12	002711-40NS	Quarter-Turn Eterna Cartridge w/ Spring Check, Handle, Blue Index & Screw, LTC
13	001019-45	Coupling Nut Washer
14	00AA	1/2" NPT Female Eccentric Flange
15	002712-40NS	Quarter-Turn Eterna Cartridge w/ Spring Check, Handle, Red Index & Screw, RTC
16	012443-40NS	Quarter-Turn Eterna Cartridge w/ Spring Check, RTC
17	001638-45NS	Lever Handle (New Style)
18	001193-19NS	Red Button Index, Press-in
19	See Chart on Sheet 1	Swing Nozzle w/ Stream Regulator Outlet
20	B-PT	Full Flow Stream Regulator, 55/64-27
21	B-0166	Wall Hook
22	034A	Spray Valve 90° Angle Tube

**Product Specifications:**  
**Pet Grooming Unit:**  
 8" Deck Mount Mixing Faucet, Quarter-Turn Eterna Cartridges w/ Spring Checks, Lever Handles, Add-On Faucet w/ Swing Nozzle, Swivel Arm Less Vacuum Breaker, 9 ft Coiled Polyurethane Hose w/ Angled Aluminum Spray Valve & 1/2" NPT Female Inlets

**Product Compliance:**  
 ASME A112.18.1 / CSA B125.1  
 NSF 61 Exempt (Non-Potable)