



T&S BRASS AND BRONZE WORKS, INC.

2 Saddleback Cove / P.O. Box 1088
Travelers Rest, SC 29690

Model No.

P3-8DESN12PZJUE

Item No.

Travelers Rest, SC: 800-476-4103 • Simi Valley, CA: 800-423-0150 • Fax: 864-834-3518 • www.tsbrass.com

This Space for Architect/Engineer Approval

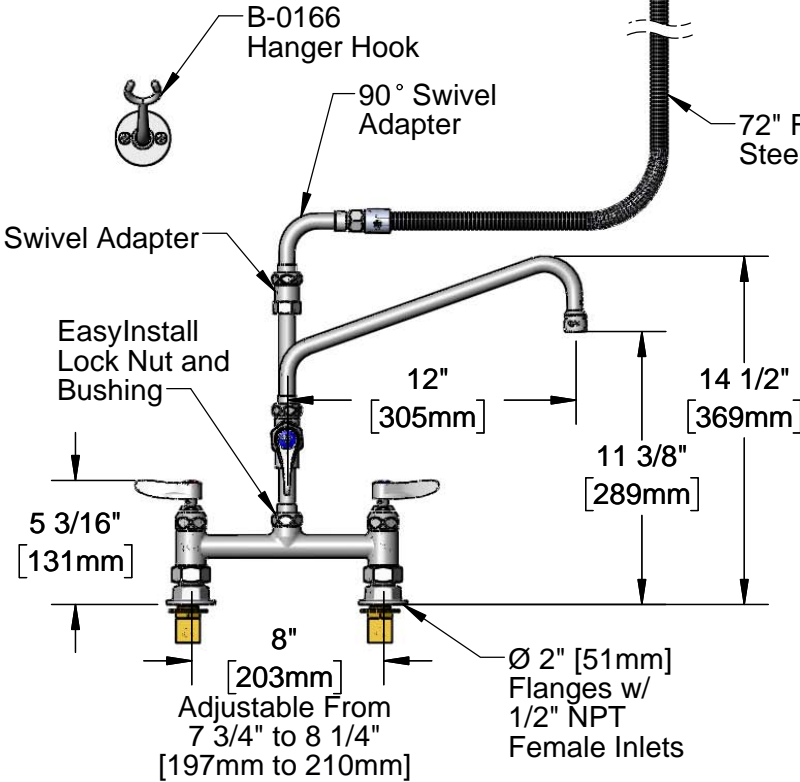
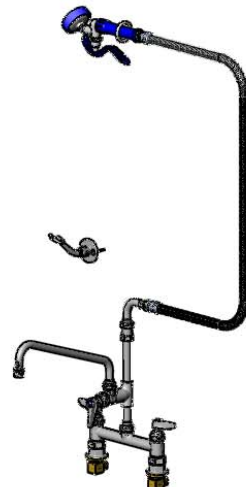
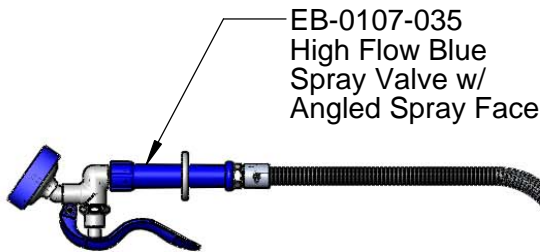
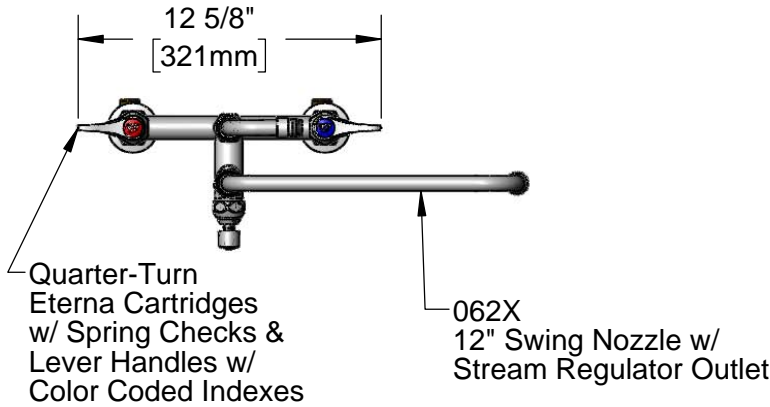
Job Name _____ Date _____

Model Specified _____ Quantity _____

Customer/Wholesaler _____

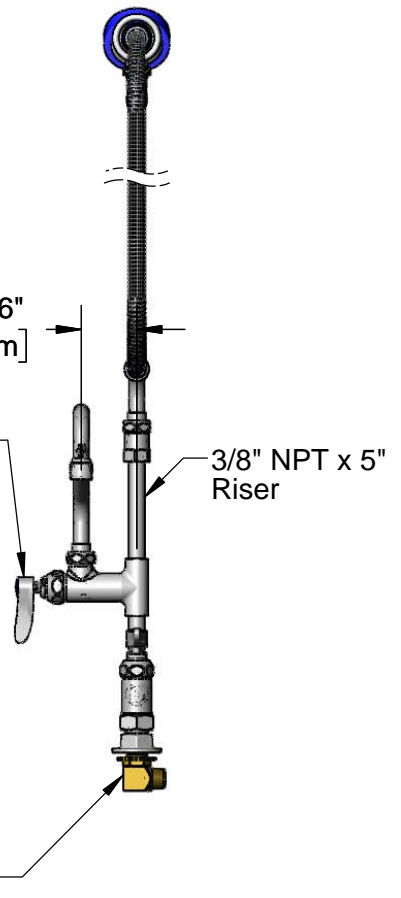
Contractor _____

Architect/Engineer _____



2 5/16" [59mm]

EasyInstall Add-On Faucet w/ Quarter-Turn Eterna Cartridge & Lever Handle



Product Specifications:
 8" Deck Mount Mixing Faucet, Quarter-Turn Eterna Cartridges w/ Spring Checks, Lever Handles, Add-On Faucet, 12" Swing Nozzle w/ Stream Regulator Outlet, High Flow Angled Spray Valve (Blue), 72" Flexible Stainless Steel Hose, 1/2" NPT Female Inlets & 1/2" NPT Male Elbow Installation Kit

Product Compliance:
 ASME A112.18.1 / CSA B125.1
 NSF 61 Exempt (Non-Potable)
 EPA Act 2005 Non-Compliant (PRSV)



T&S BRASS AND BRONZE WORKS, INC.

2 Saddleback Cove / P.O. Box 1088
Travelers Rest, SC 29690

Model No.

P3-8DESN12PZJUE

Item No.

Travelers Rest, SC: 800-476-4103 • Simi Valley, CA: 800-423-0150 • Fax: 864-834-3518 • www.tsbrass.com

ITEM NO.	SALES NO.	DESCRIPTION
1	EB-0107-035	High Flow Angled Spray Valve (Blue)
2	010476-45	#27 Washer
3	000907-45	Spray Valve Hold Down Ring
4	B-0166	Wall Hook
5	034A	90° Swivel Adapter Arm
6	009538-45	Swivel Washer
7	011429-45	Swivel Sleeves (2)
8	001074-45	O-Ring
9	054X	Swivel Body
10	000361-40	Nipple, 3/8" NPT x 5"
11	B-0155-LNEZ	Add-On Faucet, Eterna Cartridge & Lever Handle, Less Nozzle
12	EZ-K	EasyInstall Kit
13	001065-45	O-Ring
14	014200-45	Star Washer, Anti-Rotation
15	018506-19NS	Blue Button Index, Press-in
16	000925-45	Lab Handle Screw
17	012442-40NS	Quarter-Turn Eterna Cartridge w/ Spring Check, LTC
18	002711-40NS	Quarter-Turn Eterna Cartridge w/ Spring Check, Handle, Blue Index & Screw, LTC
19	001019-45	Coupling Nut Washer
20	00AA	1/2" NPT Female Eccentric Flange
21	000999-45	Brass Lock Washer
22	002954-45	Shank Lock Nut
23	B-0230-K	1/2" NPT Male Elbow Installation Kit (2)
24	002712-40NS	Quarter-Turn Eterna Cartridge w/ Spring Check, Handle, Red Index & Screw, RTC
25	012443-40NS	Quarter-Turn Eterna Cartridge w/ Spring Check, RTC
26	001638-45NS	Lever Handle (New Style)
27	001193-19NS	Red Button Index, Press-in
28	B-PT	Full Flow Stream Regulator, 55/64-27
29	062X	12" Swing Nozzle

Product Specifications:
8" Deck Mount Mixing Faucet, Quarter-Turn Eterna Cartridges w/ Spring Checks, Lever Handles, Add-On Faucet, 12" Swing Nozzle w/ Stream Regulator Outlet, High Flow Angled Spray Valve (Blue), 72" Flexible Stainless Steel Hose, 1/2" NPT Female Inlets & 1/2" NPT Male Elbow Installation Kit

Product Compliance:
ASME A112.18.1 / CSA B125.1
NSF 61 Exempt (Non-Potable)
EPA Act 2005 Non-Compliant (PRSV)