



T&S BRASS AND BRONZE WORKS, INC.
 2 Saddleback Cove / P.O. Box 1088
 Travelers Rest, SC 29690

Model No.
MPZ-KIT-LN06-CR

Item No.

Travelers Rest, SC: 800-476-4103 • Simi Valley, CA: 800-423-0150 • Fax: 864-834-3518 • www.tsbrass.com

This Space for Architect/Engineer Approval

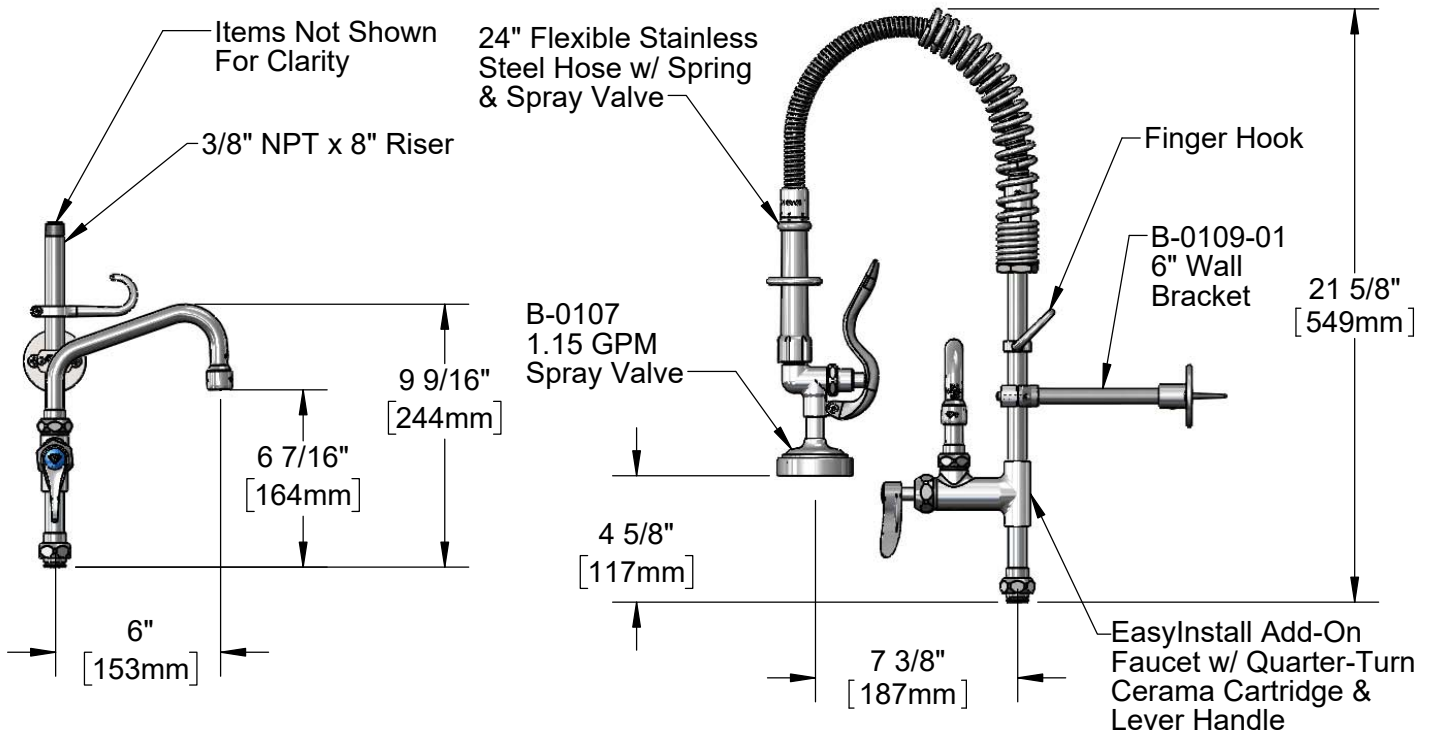
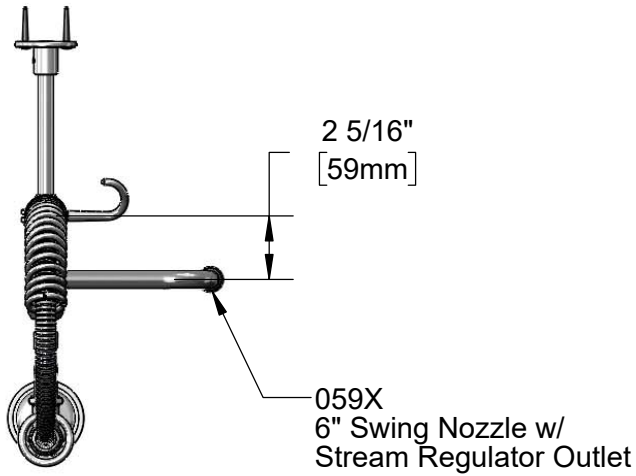
Job Name _____ Date _____

Model Specified _____ Quantity _____

Customer/Wholesaler _____

Contractor _____

Architect/Engineer _____



Product Specifications:

Easy Install Mini Pre-Rinse Unit Retro-Fit: Add-On Faucet, Quarter-Turn Cerama Cartridge w/ Check Valve, Lever Handle, 6" Swing Nozzle, Compact Spring, 24" Flexible Stainless Steel Hose, 1.15 GPM Spray Valve & 6" Wall Bracket

Product Compliance:

ASME A112.18.1 / CSA B125.1
 NSF 61 - Section 9
 NSF 372 (Low Lead Content)
 2019 DOE PRSV - Class II
 For Commercial Use Only



T&S BRASS AND BRONZE WORKS, INC.

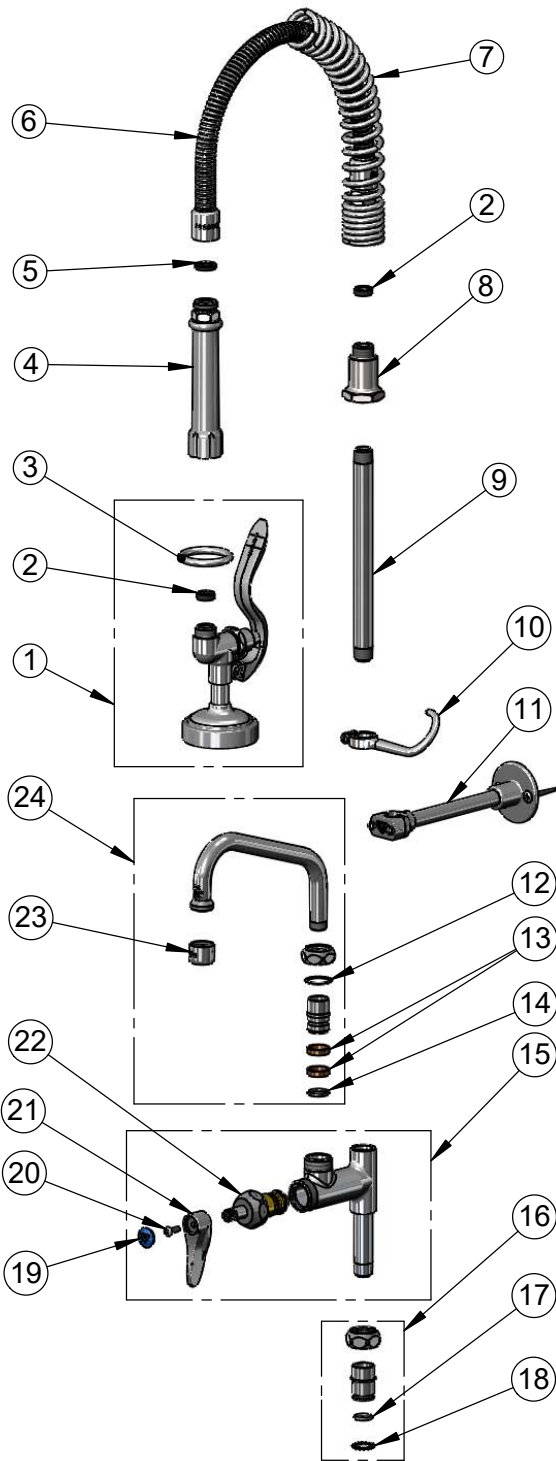
2 Saddleback Cove / P.O. Box 1088
Travelers Rest, SC 29690

Model No.

MPZ-KIT-LN06-CR

Item No.

Travelers Rest, SC: 800-476-4103 • Simi Valley, CA: 800-423-0150 • Fax: 864-834-3518 • www.tsbrass.com



ITEM NO.	SALES NO.	DESCRIPTION
1	B-0107	1.15 GPM Spray Valve
2	010476-45	#27 Washer
3	000907-45	Spray Valve Hold Down Ring
4	002987-40	Grip Handle
5	001014-45	Washer, B-0100 Hose Barrel
6	B-0024-H2A	24" Stainless Steel Fkex Hose - Less Handle
7	016795-45	Compact Spring
8	000821-40	Spring Body
9	078X	3/8" NPT x 8" Riser
10	004R	Finger Hook
11	B-0109-01	6" Wall Bracket
12	009538-45	Swivel Washer
13	011429-45	Swivel Sleeves (2)
14	001074-45	O-Ring
15	B-0155-CR-LN	Add-On Faucet, Cerama Cartridge & Lever Handle, Less Nozzle
16	EZ-K	EasyIntall Kit
17	006562-45	O-ring
18	014200-45	Star Washer, Anti-Rotation
19	018506-19NS	Blue Button Index, Press-in
20	000925-45	Lab Handle Screw
21	001638-45NS	Lever Handle (New Style)
22	012394-25NS	Quarter-Turn Cerama Cartridge w/ Check Valve, RTC
23	B-PT	Full Flow Stream Regulator, 55/64-27
24	059X	6" Swing Nozzle

Product Specifications:

Easy Install Mini Pre-Rinse Unit Retro-Fit: Add-On Faucet, Quarter-Turn Cerama Cartridge w/ Check Valve, Lever Handle, 6" Swing Nozzle, Compact Spring, 24" Flexible Stainless Steel Hose, 1.15 GPM Spray Valve & 6" Wall Bracket

Product Compliance:

ASME A112.18.1 / CSA B125.1
NSF 61 - Section 9
NSF 372 (Low Lead Content)
2019 DOE PRSV - Class II
For Commercial Use Only