



**T&S BRASS AND BRONZE WORKS, INC.**  
 2 Saddleback Cove / P.O. Box 1088  
 Travelers Rest, SC 29690

Model No.

**MPZ-8DLN-06**

Item No.

Travelers Rest, SC: 800-476-4103 • Simi Valley, CA: 800-423-0150 • Fax: 864-834-3518 • www.tsbrass.com

For Commercial Use Only

This Space for Architect/Engineer Approval

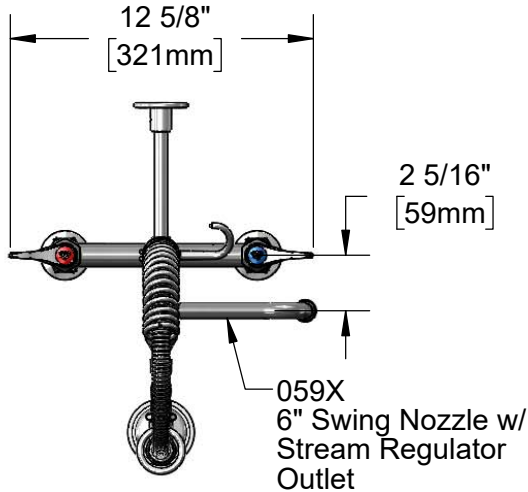
Job Name \_\_\_\_\_ Date \_\_\_\_\_

Model Specified \_\_\_\_\_ Quantity \_\_\_\_\_

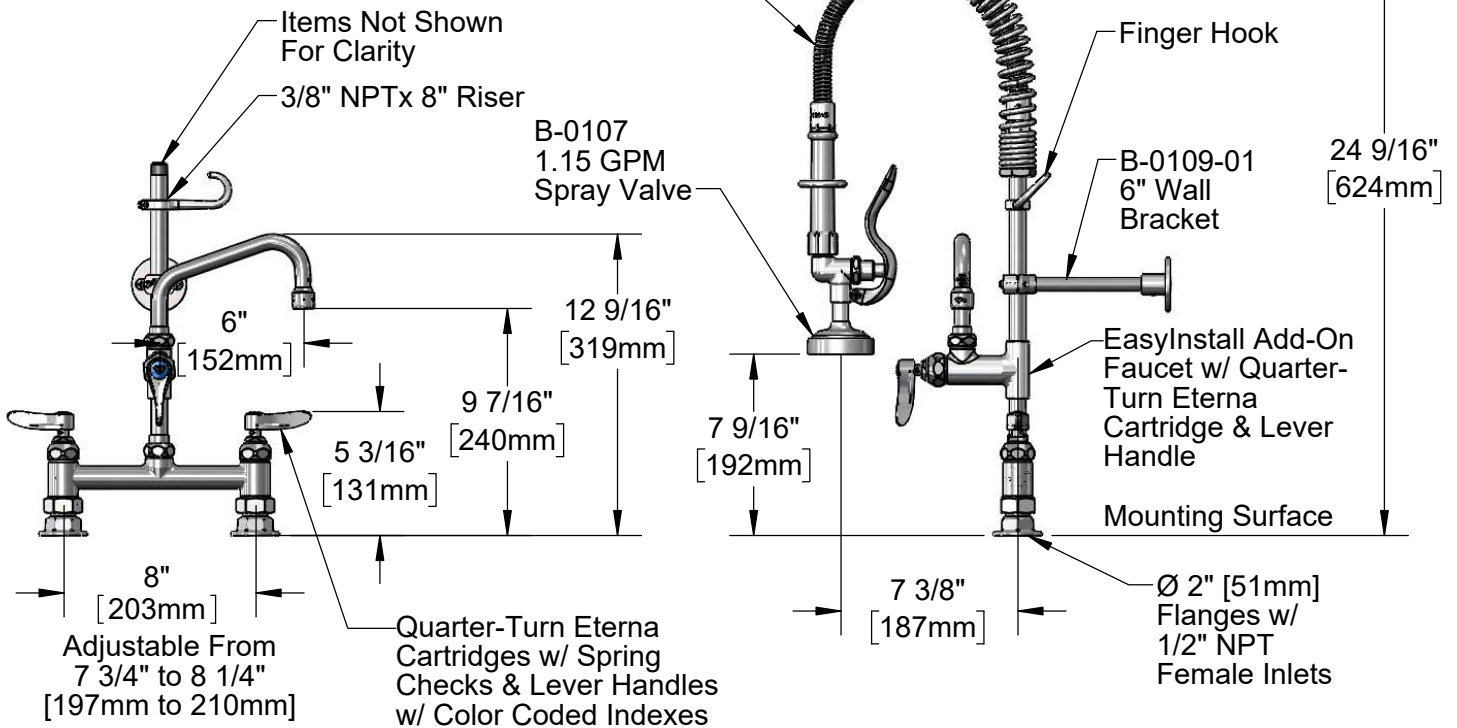
Customer/Wholesaler \_\_\_\_\_

Contractor \_\_\_\_\_

Architect/Engineer \_\_\_\_\_



24" Flexible Stainless Steel Hose w/ Spring & Spray Valve



Product Specifications:

Pre-Rinse Unit: EasyInstall 8" Deck Mount Mixing Faucet, Quarter-Turn Eterna Cartridges w/ Spring Checks, Lever Handles, Add-On Faucet w/ 6" Swing Nozzle, Compact Spring, 24" Flexible Stainless Steel Hose, 1.15 GPM Spray Valve, 6" Wall Bracket & 1/2" NPT Female Inlets

Product Compliance:

ASME A112.18.1 / CSA B125.1  
 NSF 61 - Section 9  
 NSF 372 (Low Lead Content)  
 2019 DOE PRSV - Class II  
 For Commercial Use Only



# T&S BRASS AND BRONZE WORKS, INC.

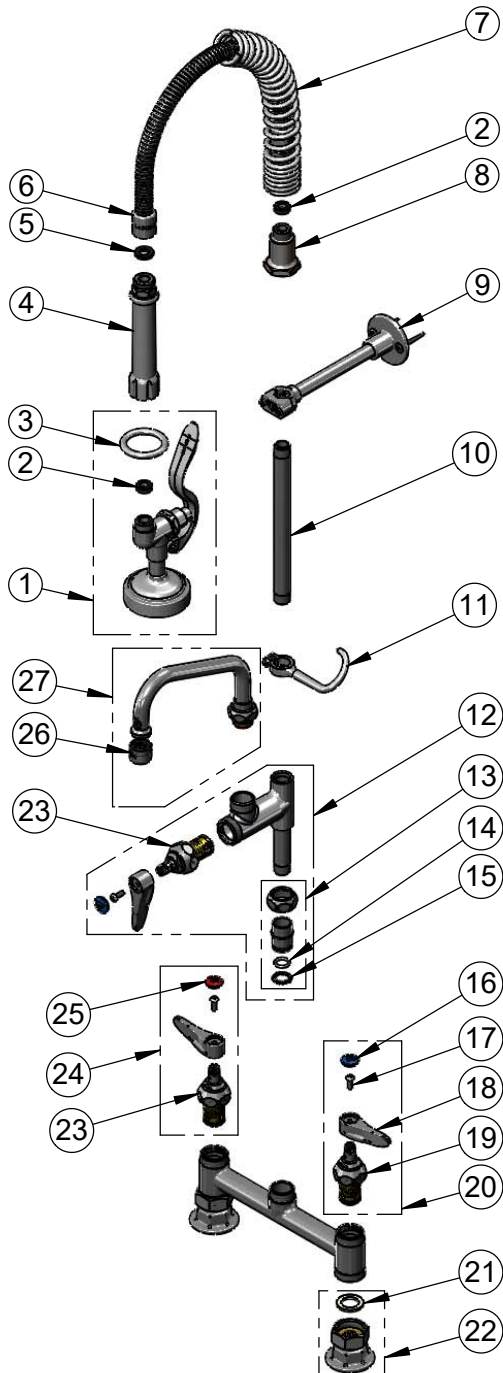
2 Saddleback Cove / P.O. Box 1088  
Travelers Rest, SC 29690

Model No.

**MPZ-8DLN-06**

Item No.

Travelers Rest, SC: 800-476-4103 • Simi Valley, CA: 800-423-0150 • Fax: 864-834-3518 • www.tsbrass.com



| ITEM NO. | SALES NO.   | DESCRIPTION   |
|----------|-------------|---|
| 1        | B-0107      | 1.15 GPM Spray Valve  |
| 2        | 010476-45   | #27 Washer  |
| 3        | 000907-45   | Spray Valve Hold Down Ring  |
| 4        | 002987-40   | Grip Handle   |
| 5        | 001014-45   | Washer, B-0100 Hose Barrel  |
| 6        | B-0024-H2A  | 24" Stainless Steel Flex Hose - Less Handle                               |
| 7        | 016795-45   | Compact Spring  |
| 8        | 000821-40   | Spring Body   |
| 9        | B-0109-01   | 6" Wall Bracket   |
| 10       | 078X        | 3/8" NPT x 8" Riser   |
| 11       | 004R        | Finger Hook   |
| 12       | B-0155-LNEZ | EasyInstall Add-On Faucet, Less Nozzle                                    |
| 13       | EZ-K        | EasyInstall Kit: Nut, Bushing, O-Ring & Lock Washer                       |
| 14       | 001065-45   | O-Ring  |
| 15       | 014200-45   | Star Washer, Anti-Rotation  |
| 16       | 018506-19NS | Blue Button Index, Press-in   |
| 17       | 000925-45   | Lab Handle Screw  |
| 18       | 001638-45NS | Lever Handle (New Style)  |
| 19       | 012442-40NS | Quarter-Turn Eterna Cartridge, LTC w/ Spring Check                        |
| 20       | 002711-40NS | Quarter-Turn Eterna Cartridge, LTC w/ Spring Check, Handle, Index & Screw |
| 21       | 001019-45   | Coupling Nut Washer   |
| 22       | 00AA        | 1/2" NPT Female Eccentric Flange  |
| 23       | 012443-40NS | Quarter-Turn Eterna Cartridge, RTC w/ Spring Check                        |
| 24       | 002712-40NS | Quarter-Turn Eterna Cartridge, RTC w/ Spring Check, Handle, Index & Screw |
| 25       | 001193-19NS | Red Button Index, Press-in  |
| 26       | B-PT        | Full Flow Stream Regulator, 55/64-27                                      |
| 27       | 059X        | 6" Swing Nozzle   |

**Product Specifications:**

Pre-Rinse Unit: EasyInstall 8" Deck Mount Mixing Faucet, Quarter-Turn Eterna Cartridges w/ Spring Checks, Lever Handles, Add-On Faucet w/ 6" Swing Nozzle, Compact Spring, 24" Flexible Stainless Steel Hose, 1.15 GPM Spray Valve, 6" Wall Bracket & 1/2" NPT Female Inlets

**Product Compliance:**

ASME A112.18.1 / CSA B125.1  
NSF 61 - Section 9  
NSF 372 (Low Lead Content)  
2019 DOE PRSV - Class II  
For Commercial Use Only