



# T&S BRASS AND BRONZE WORKS, INC.

2 Saddleback Cove / P.O. Box 1088  
Travelers Rest, SC 29690

Model No.  
**MPZ-2DLN-08-CRF**

Item No.

Travelers Rest, SC: 800-476-4103 • Simi Valley, CA: 800-423-0150 • Fax: 864-834-3518 • www.tsbrass.com

This Space for Architect/Engineer Approval

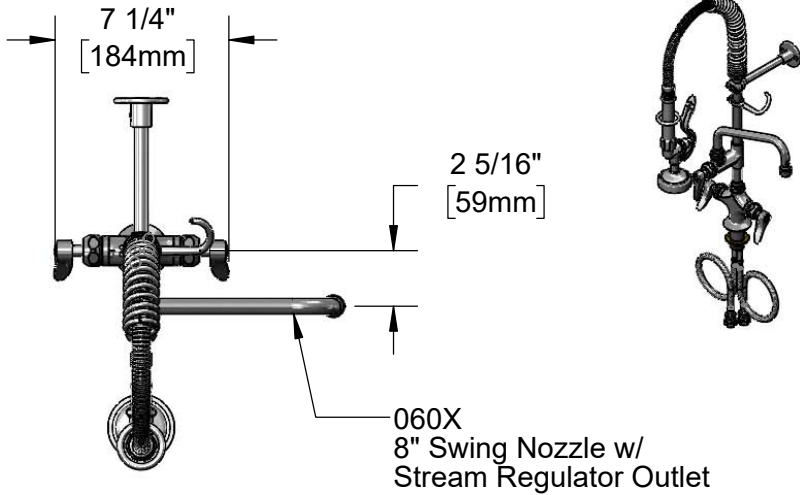
Job Name \_\_\_\_\_ Date \_\_\_\_\_

Model Specified \_\_\_\_\_ Quantity \_\_\_\_\_

Customer/Wholesaler \_\_\_\_\_

Contractor \_\_\_\_\_

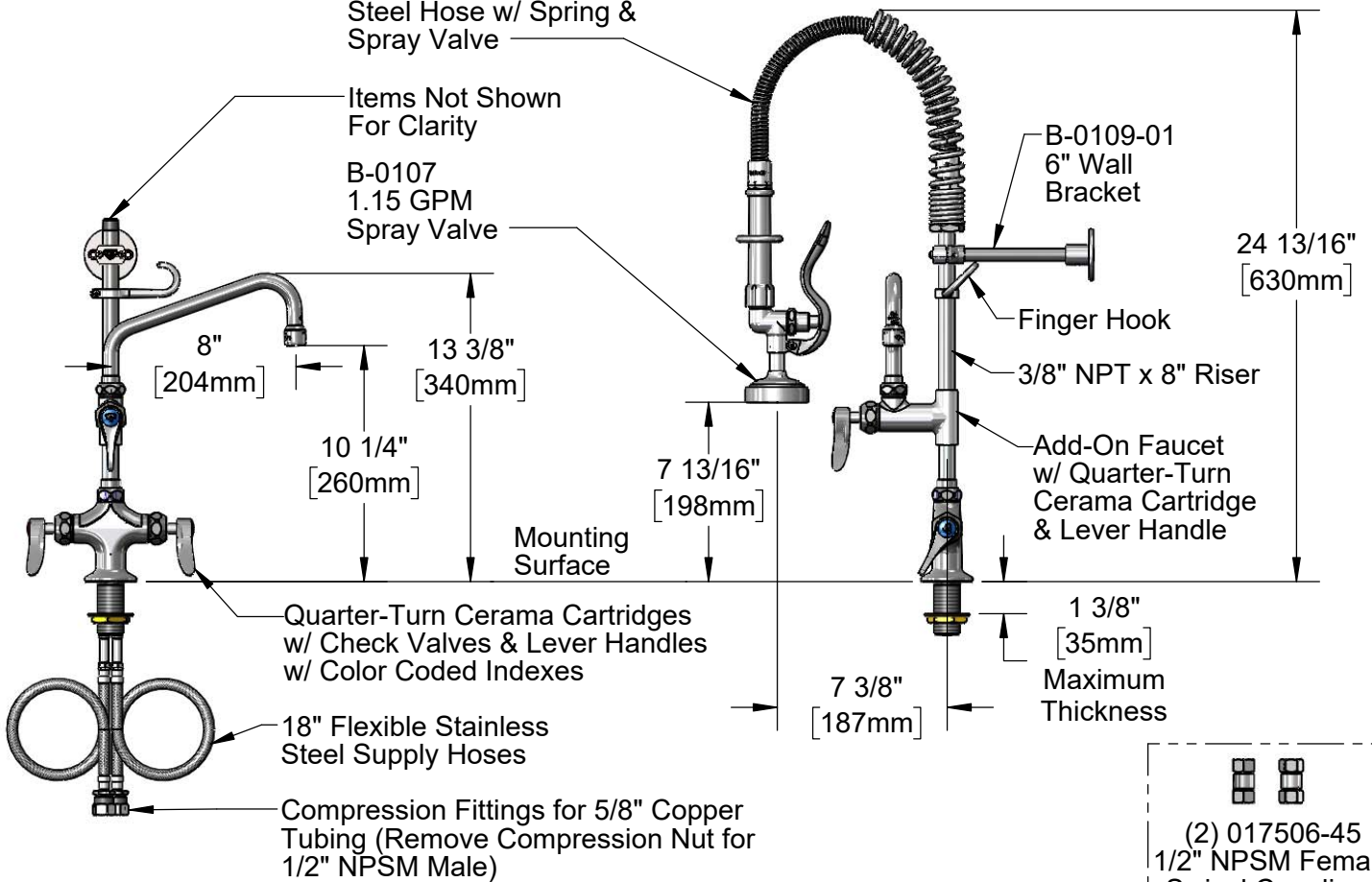
Architect/Engineer \_\_\_\_\_



24" Flexible Stainless  
Steel Hose w/ Spring &  
Spray Valve

Items Not Shown  
For Clarity

B-0107  
1.15 GPM  
Spray Valve



Compression Fittings for 5/8" Copper  
Tubing (Remove Compression Nut for  
1/2" NPSM Male)

(2) 017506-45  
1/2" NPSM Female  
Swivel Couplings  
(Included)

Rough-In Requirement:  
Ø 1 1/2" [38mm] Mounting Hole

**Product Specifications:**

Pre-Rinse Unit: EasyInstall Single Deck Mount Mixing Faucet, Quarter-Turn Cerama Cartridges w/ Check Valves, Lever Handles, Add-On Faucet w/ 8" Swing Nozzle, Compact Spring, 24" Flexible Stainless Steel Hose, 1.15 GPM Spray Valve, 6" Wall Bracket & (2) 18" Flexible Supply Hoses & 1/2" NPSM Female Swivel Couplings

**Product Compliance:**

ASME A112.18.1 / CSA B125.1  
NSF 61 - Section 9  
NSF 372 (Low Lead Content)  
2019 DOE PRSV - Class II  
For Commercial Use Only



# T&S BRASS AND BRONZE WORKS, INC.

2 Saddleback Cove / P.O. Box 1088  
Travelers Rest, SC 29690

Model No.  
**MPZ-2DLN-08-CRF**

Item No.

Travelers Rest, SC: 800-476-4103 • Simi Valley, CA: 800-423-0150 • Fax: 864-834-3518 • www.tsbrass.com

|  | ITEM NO. | SALES NO.   | DESCRIPTION   |
|--|----------|-------------|---|
|  | 1        | B-0107      | 1.15 GPM Spray Valve  |
|  | 2        | 010476-45   | #27 Washer  |
|  | 3        | 000907-45   | Spray Valve Hold Down Ring  |
|  | 4        | 002987-40   | Grip Handle   |
|  | 5        | 001014-45   | Washer, B-0100 Hose Barrel  |
|  | 6        | B-0024-H2A  | 24" Flexible Stainless Steel Hose, Less Handle                                |
|  | 7        | 016795-45   | Compact Spring  |
|  | 8        | 000821-40   | Spring Body   |
|  | 9        | 004R        | Finger Hook   |
|  | 10       | B-0109-01   | 6" Wall Bracket   |
|  | 11       | 000364-40   | Nipple, 3/8" NPT x 8"   |
|  | 12       | EZ-K        | EasyInstall Kit: Nut, Bushing, O-Ring & Lock Washer                           |
|  | 13       | 001065-45   | O-ring  |
|  | 14       | 014200-45   | Star Washer, Anti-Rotation  |
|  | 15       | 012447-25NS | Quarter-Turn Cerama Cartridge w/ Check Valve, Handle, Blue Index & Screw, LTC |
|  | 16       | 012395-25NS | Quarter-Turn Cerama Cartridge, LTC w/ Check Valve                             |
|  | 17       | 001638-45NS | Lever Handle (New Style)  |
|  | 18       | 018506-19NS | Blue Button Index, Press-in   |
|  | 19       | 002290-45   | Lock Washer   |
|  | 20       | 000965-45   | Lock Nut  |
|  | 21       | 012534-45   | 18" Flexible Supply Hose (2)  |
|  | 22       | 012446-25NS | Quarter-Turn Cerama Cartridge w/ Check Valve, Handle, Red Index & Screw, RTC  |
|  | 23       | 012394-25NS | Quarter-Turn Cerama Cartridge w/ Check Valve, RTC                             |
|  | 24       | 000925-45   | Lab Handle Screw  |
|  | 25       | 001193-19NS | Red Button Index, Press-in  |
|  | 26       | B-PT        | Stream Regulator Outlet   |
|  | 27       | 060X        | 8" Swing Nozzle   |
|  | 28       | 017506-45   | 1/2" NPSM Female Swivel Coupling (2)  |

**Product Specifications:**  
Pre-Rinse Unit: EasyInstall Single Deck Mount Mixing Faucet, Quarter-Turn Cerama Cartridges w/ Check Valves, Lever Handles, Add-On Faucet w/ 8" Swing Nozzle, Compact Spring, 24" Flexible Stainless Steel Hose, 1.15 GPM Spray Valve, 6" Wall Bracket & (2) 18" Flexible Supply Hoses & 1/2" NPSM Female Swivel Couplings

**Product Compliance:**  
ASME A112.18.1 / CSA B125.1  
NSF 61 - Section 9  
NSF 372 (Low Lead Content)  
2019 DOE PRSV - Class II  
For Commercial Use Only