



T&S BRASS AND BRONZE WORKS, INC.

2 Saddleback Cove / P.O. Box 1088
Travelers Rest, SC 29690

Model No.

MPY-8WCN-08

Item No.

Travelers Rest, SC: 800-476-4103 • Simi Valley, CA: 800-423-0150 • Fax: 864-834-3518 • www.tsbrass.com

This Space for Architect/Engineer Approval

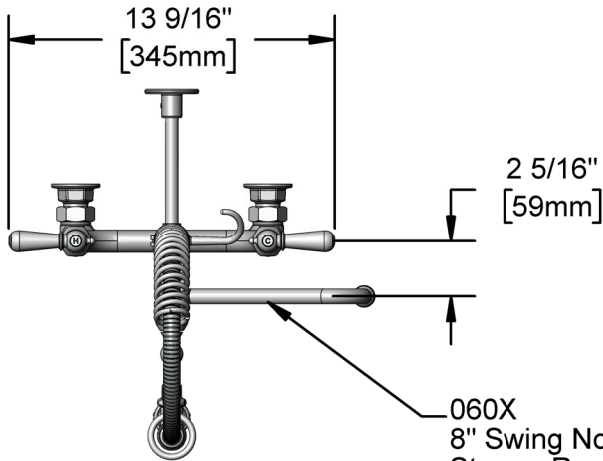
Job Name _____ Date _____

Model Specified _____ Quantity _____

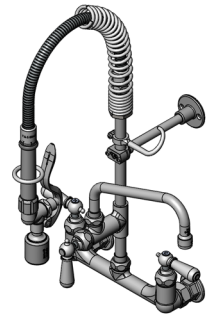
Customer/Wholesaler _____

Contractor _____

Architect/Engineer _____



060X
8" Swing Nozzle w/
Stream Regulator Outlet



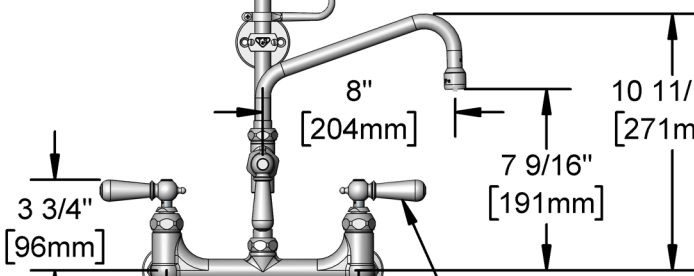
24" Flexible Stainless
Steel Hose w/ Spring
& Spray Valve

Items Not Shown
For Clarity

3/8" x 8" Riser

Finger Hook
B-0107-C
0.65 GPM
Low Flow
Spray Valve

B-0109-01
6" Wall
Bracket



3 3/4"
[96mm]

8"
[204mm]

7 9/16"
[191mm]

10 11/16"
[271mm]

8"
[203mm]

Adjustable From
7 3/4" to 8 1/4"
[197mm to 210mm]

Quarter-Turn Eterna
Cartridges w/ Spring
Checks & Club Handles

ø2" [51mm]
Flanges w/
1/2" NPT
Female Inlets

5 1/4"
[134mm]

7 3/8"
[187mm]

EasyInstall
Add-On Faucet w/
Quarter-Turn
Eterna Cartridge
& Club Handle

2 3/8"
[61mm]

Mounting
Surface

22 1/8"
[561mm]

Product Specifications:

Pre-Rinse Unit: EasyInstall 8" Wall Mount Mixing Faucet, Quarter-Turn Eterna Cartridges w/ Spring Checks, Club Handles, Add-On Faucet w/ 8" Swing Nozzle, Compact Spring, 24" Flexible Stainless Steel Hose, 0.65 GPM Low Flow Spray Valve, 6" Wall Bracket & 1/2" NPT Female Inlets

Product Compliance:

ASME A112.18.1 / CSA B125.1
NSF 61 - Section 9
NSF 372 (Low Lead Content)
2019 DOE PRSV - Class I
For Commercial Use Only



T&S BRASS AND BRONZE WORKS, INC.

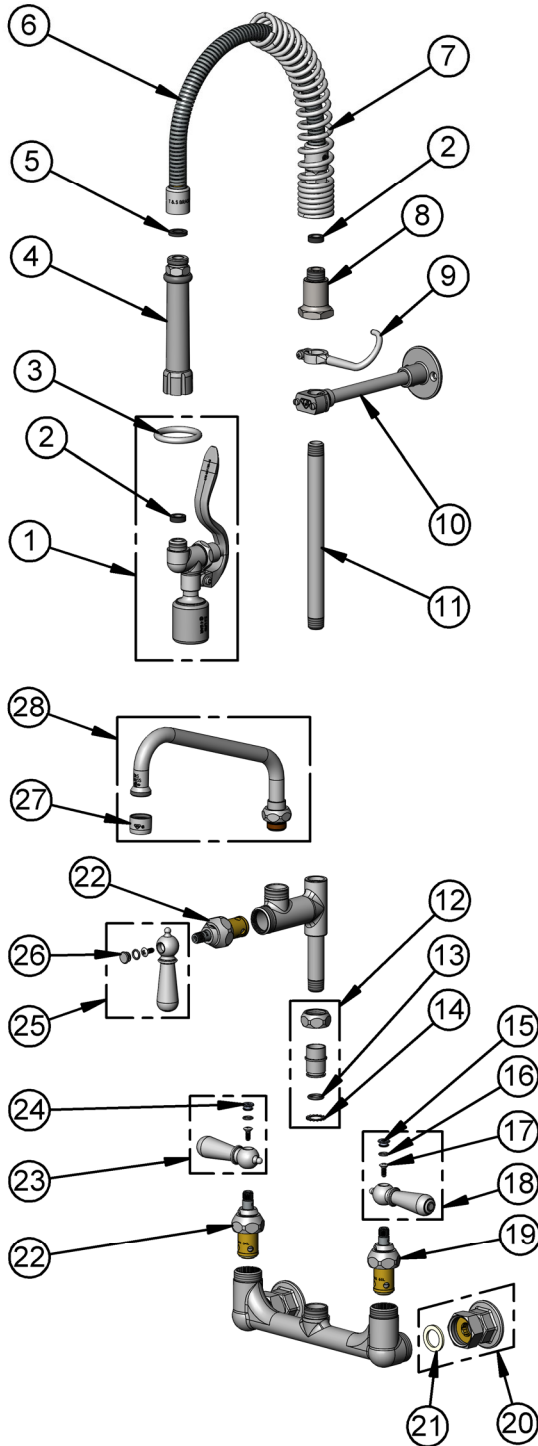
2 Saddleback Cove / P.O. Box 1088
Travelers Rest, SC 29690

Model No.

MPY-8WCN-08

Item No.

Travelers Rest, SC: 800-476-4103 • Simi Valley, CA: 800-423-0150 • Fax: 864-834-3518 • www.tsbrass.com



ITEM NO.	SALES NO.	DESCRIPTION
1	B-0107-C	0.65 GPM Low Flow Spray Valve
2	010476-45	#27 Washer
3	000907-45	Spray Valve Hold Down Ring
4	002987-40	Grip Handle
5	001014-45	Washer, B-0100 Hose Barrel
6	B-0024-H2A	24" Flexible Stainless Steel Hose, Less Handle
7	016795-45	Compact Spring
8	000821-40	Spring Body
9	004R	Finger Hook
10	B-0109-01	6" Wall Bracket
11	078X	Nipple, 3/8" NPT x 8"
12	EZ-K	EasyInstall Kit
13	001065-45	O-Ring
14	014200-45	Star Washer, Anti-Rotation
15	009304-41	Decorative Cap Insert, Cold
16	001066-45	O-Ring
17	000922-45	Lever Handle Screw
18	009331-41	Decorative Club Handle Kit, Cold
19	012442-40NS	Quarter-Turn Eterna Cartridge w/ Spring Check, LTC
20	00AA	1/2" NPT Female Eccentric Flange
21	001019-45	Coupling Nut Washer
22	012443-40NS	Quarter-Turn Eterna Cartridge w/ Spring Check, RTC
23	009332-41	Decorative Club Handle Kit, Hot
24	009303-41	Decorative Cap Insert, Hot
25	017181-41	Decorative Club Handle, Blank
26	009285-40	Cap Insert Blank
27	B-PT	Full Flow Stream Regulator, 55/64-27
28	060X	8" Swing Nozzle

Product Specifications:

Pre-Rinse Unit: EasyInstall 8" Wall Mount Mixing Faucet, Quarter-Turn Eterna Cartridges w/ Spring Checks, Club Handles, Add-On Faucet w/ 8" Swing Nozzle, Compact Spring, 24" Flexible Stainless Steel Hose, 0.65 GPM Low Flow Spray Valve, 6" Wall Bracket & 1/2" NPT Female Inlets

Product Compliance:

ASME A112.18.1 / CSA B125.1
NSF 61 - Section 9
NSF 372 (Low Lead Content)
2019 DOE PRSV - Class I
For Commercial Use Only