



T&S BRASS AND BRONZE WORKS, INC.

2 SADDLEBACK COVE / P.O. BOX 1088 / TRAVELERS REST, SC 29690

PHONE 800-476-4103

FAX 864-834-3518



REG.#A2601
ISO #9002

Model No.

HG-4D-48-RC

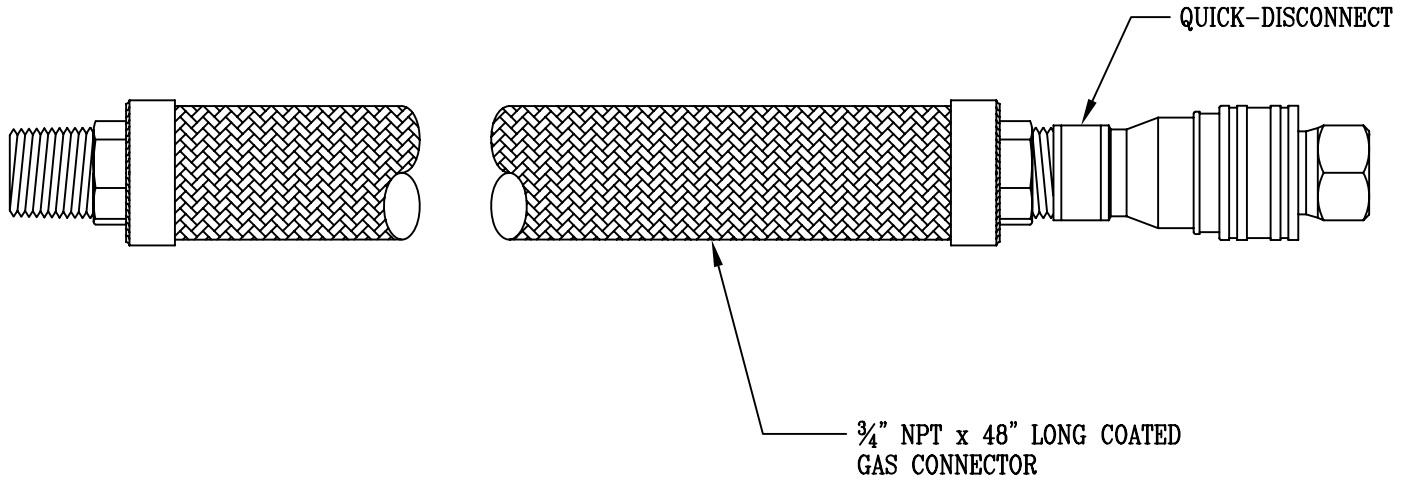
Item No.:

Job Name:

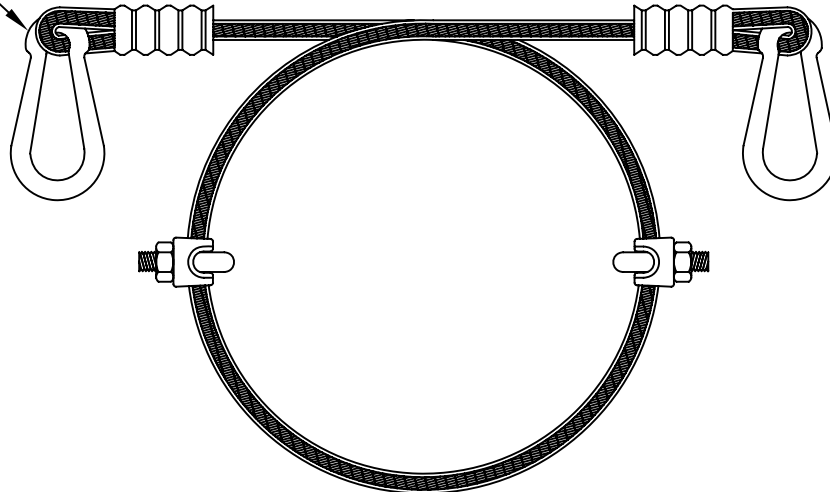
Architect/Engineer Approval:



AGA DESIGN CERTIFIED GAS APPLIANCE CONNECTORS



RESTRAINING CABLE
INCLUDING ALL NECESSARY
HARDWARE



Product Description:

3/4" NPT x 48" LONG GAS HOSE WITH QUICK-DISCONNECT,
RESTRAINING CABLE

Drawn:

DHL

Checked

JRM

Scale:

NTS

Approved

JHB

Date:

9/7/07