



**T&S BRASS AND BRONZE WORKS, INC.**  
 2 Saddleback Cove / P.O. Box 1088  
 Travelers Rest, SC 29690

Model No.  
**EW-SP65**

Item No.

Travelers Rest, SC: 800-476-4103 • Simi Valley, CA: 800-423-0150 • Fax: 864-834-3518 • www.tsbrass.com

This Space for Architect/Engineer Approval

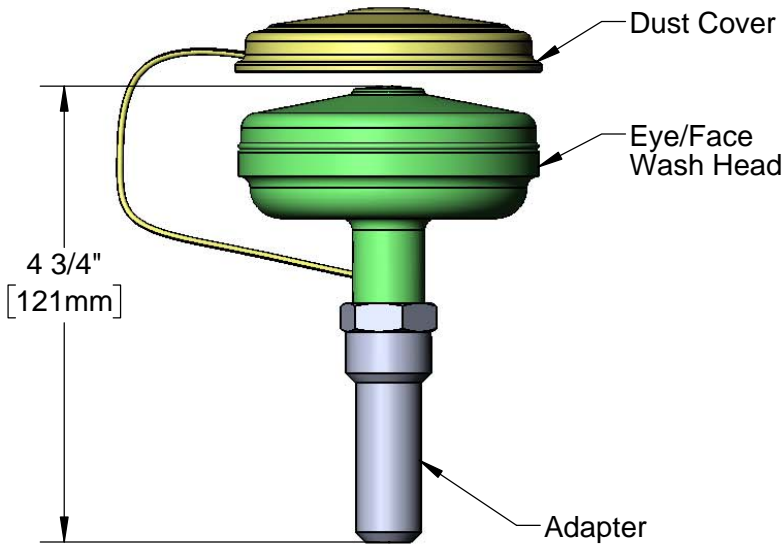
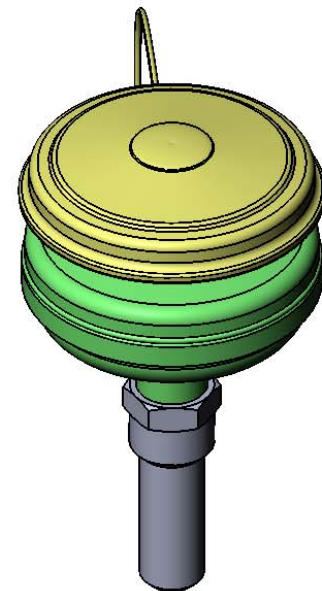
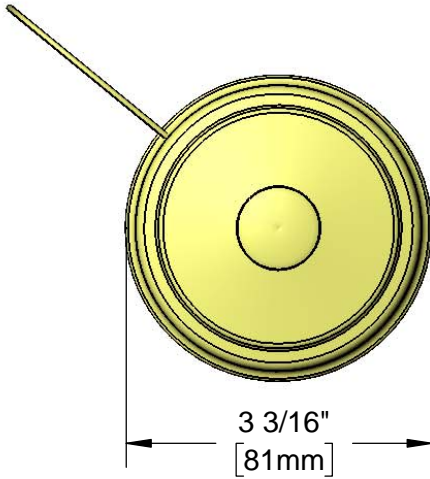
Job Name \_\_\_\_\_ Date \_\_\_\_\_

Model Specified \_\_\_\_\_ Quantity \_\_\_\_\_

Customer/Wholesaler \_\_\_\_\_

Contractor \_\_\_\_\_

Architect/Engineer \_\_\_\_\_



Note:  
 1. Not For Use on Freeze Resistant Eye Wash Stations

Product Specifications:  
 Eye/Face Wash Head with Inverted Directional Flow, Laminar Flow,  
 Integral Flow Control, Dust Cover and Adapter

Product Compliance:  
 ANSI Z358.1 (Latest Revision)  
 NSF 61 Exempt (Non-Potable)