



T&S BRASS AND BRONZE WORKS, INC.
 2 Saddleback Cove / P.O. Box 1088
 Travelers Rest, SC 29690

Model No.
EW-SP21FC

Item No.

Travelers Rest, SC: 800-476-4103 • Simi Valley, CA: 800-423-0150 • Fax: 864-834-3518 • www.tsbrass.com

This Space for Architect/Engineer Approval

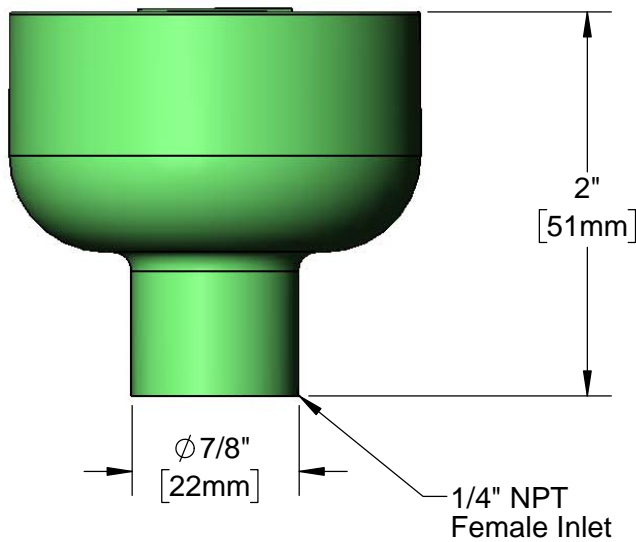
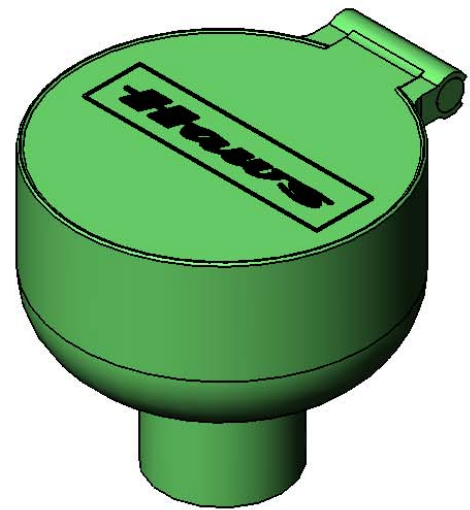
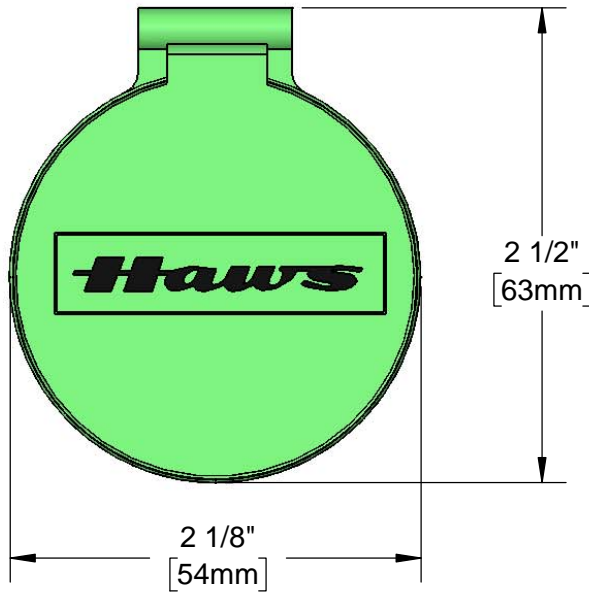
Job Name _____ Date _____

Model Specified _____ Quantity _____

Customer/Wholesaler _____

Contractor _____

Architect/Engineer _____



Product Specifications:
 Safety Green Eye/Face Wash Head with Built-In 2.5 GPM Flow Control,
 Flip Top Dust Cover and 1/4" NPT Female Inlet

Product Compliance:
 ANSI Z358.1 (Latest Revision)
 NSF 61 Exempt (Non-Potable)