

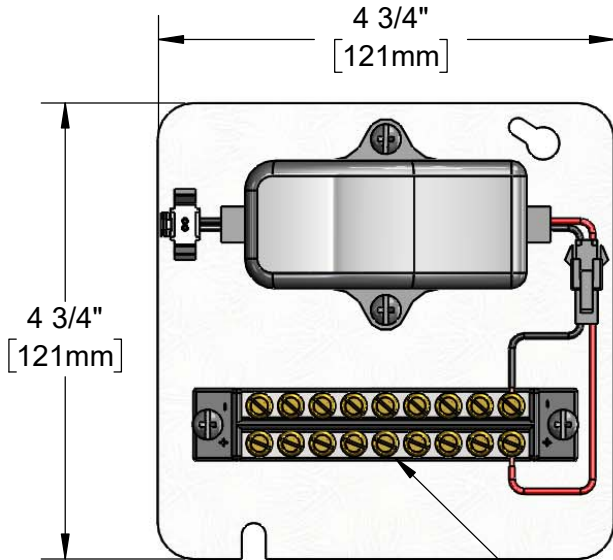


**T&S BRASS AND BRONZE WORKS, INC.**  
 2 Saddleback Cove / P.O. Box 1088  
 Travelers Rest, SC 29690

Model No.  
**EC-HARDWIRE**

Item No.

Travelers Rest, SC: 800-476-4103 • Simi Valley, CA: 800-423-0150 • Fax: 864-834-3518 • www.tsbrass.com



This Space for Architect/Engineer Approval

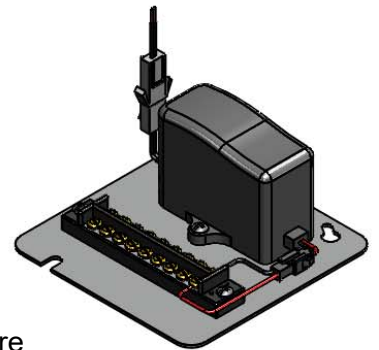
Job Name \_\_\_\_\_ Date \_\_\_\_\_

Model Specified \_\_\_\_\_ Quantity \_\_\_\_\_

Customer/Wholesaler \_\_\_\_\_

Contractor \_\_\_\_\_

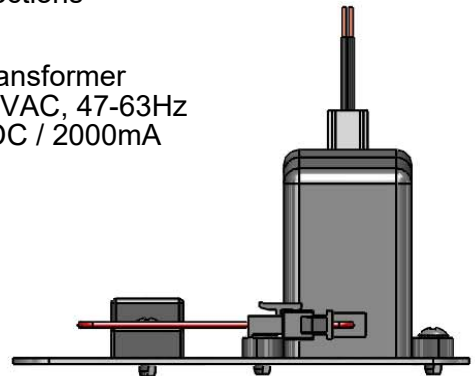
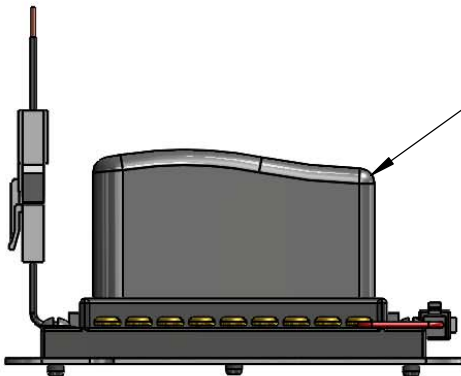
Architect/Engineer \_\_\_\_\_



Mounting Plate Serves as Lid for Standard Size 4-11/16" Square x 2-1/8" Deep Conduit Box. (Box not Included)

Terminal Block for up to (8) Faucet Connections

Electronic AC Transformer  
 INPUT: 100-240 VAC, 47-63Hz  
 OUTPUT: 6.5 VDC / 2000mA  
 Class II



**NOTE:**

1. Hardwire Power Supply for up to (8) ChekPoint Electronic Faucets
2. Electronic AC Transformer is Compliant with CEC APPLIANCE EFFICIENCY REGULATIONS CEC-400-2007-016-REV1 (or Latest Revision)
3. 4-11/16" Square x 2-1/8" Deep Conduit Box Required for Installation

Product Specifications:  
 ChekPoint Hardwire AC Transformer

Product Compliance:  
 UL 60950  
 Class II