



T&S BRASS AND BRONZE WORKS, INC.

2 Saddleback Cove / P.O. Box 1088
Travelers Rest, SC 29690

Model No.

EC-3142-STV5THG

Item No.

Travelers Rest, SC: 800-476-4103 • Simi Valley, CA: 800-423-0150 • Fax: 864-834-3518 • www.tsbrass.com



ADA Compliant



Ø 2 1/2"
[64mm]



This Space for Architect/Engineer Approval

Job Name _____ Date _____

Model Specified _____ Quantity _____

Customer/Wholesaler _____

Contractor _____

Architect/Engineer _____

Internal Above Deck
Electronics w/ Flow
Control Setting Switches.
Powered w/ 6 VDC
Lithium Battery.

Cast Spout w/
0.5 GPM [1.9 L/min]
Vandal Resistant
Non-Aerated Spray
Device

Removable
Anti-Rotation
Pin

Mounting
Surface

13/16"
[21mm]

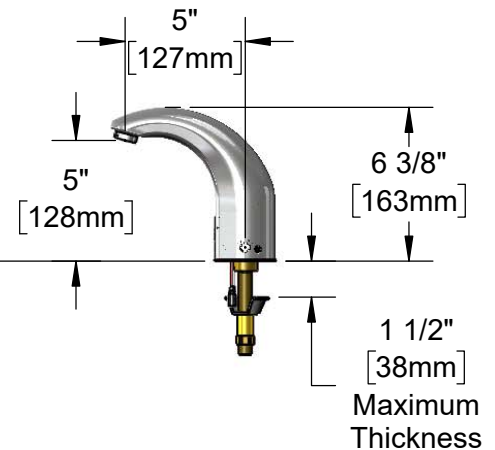
19" [483mm] Flexible
Stainless Steel Supply Hose
w/ 1/2" NPSM Swivel End

Optional 100-240 VAC
Adapter w/ 71" [1800mm]
Power Cord

Hydro-Generator Power Supply
w/ 1/2" NPSM Swivel Coupling.
No Batteries or AC Adapter
Needed to Supply Power to Faucet

EC-TMV
ASSE 1070 Thermostatic Temperature
Mixing Valve w/ Integral Check Valves

18" [457mm] Flexible
Stainless Steel Supply Hoses
w/ 3/8" Compression
(9/16-24 UN) Inlets



Rough-In Requirement:

Ø 1 1/4" [32mm] Mounting Hole

Ø 3/16" [5mm] Anti-Rotation Pin Hole (Optional)

Product Specifications:

Chrome Plated Brass Above Deck Electronics Faucet, Single Hole Single Temperature Deck Mount, Cast Spout w/ 0.5 GPM VR Non-Aerated Spray Device, Low Flow Hydro-Generator Powered, Thermostatic Temperature Control Mixing Valve, Stainless Steel Flexible Supply Hoses & 3/8" Compression Inlets

Product Compliance:

ASME A112.18.1 / CSA B125.1
NSF 61 - Section 9
NSF 372 (Low Lead Content)
ANSI A117.1 (ADA)
UL 1951
ASSE 1070 (TMV)



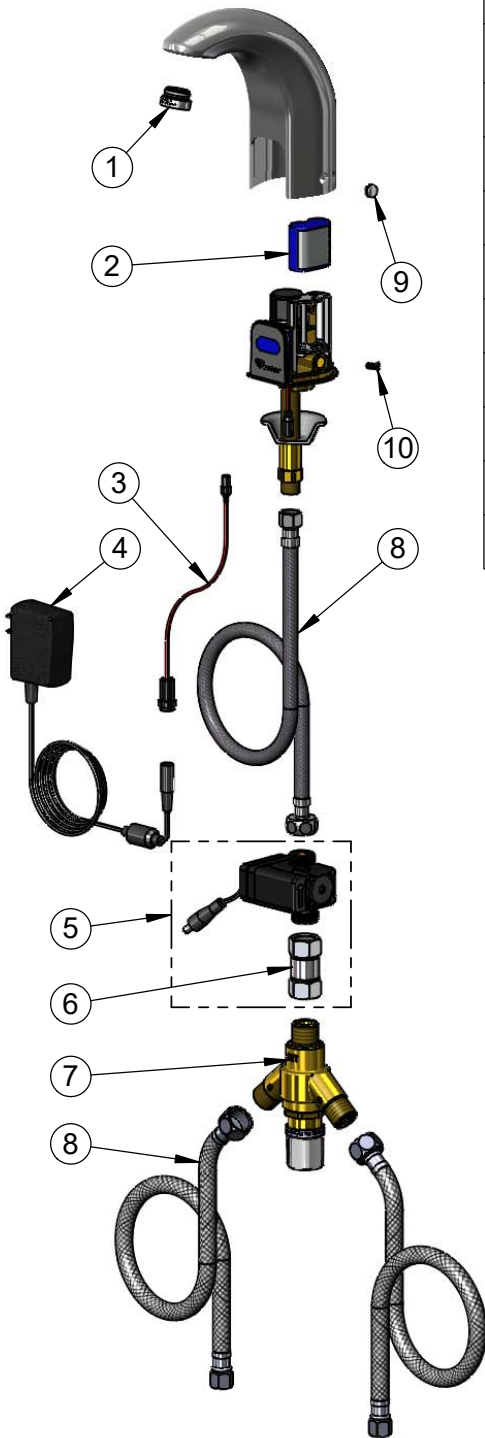
T&S BRASS AND BRONZE WORKS, INC.
 2 Saddleback Cove / P.O. Box 1088
 Travelers Rest, SC 29690

Model No.
EC-3142-STV5THG

Item No.

Travelers Rest, SC: 800-476-4103 • Simi Valley, CA: 800-423-0150 • Fax: 864-834-3518 • www.tsbrass.com

ITEM NO.	SALES NO.	DESCRIPTION
1	B-0199-08-N05	0.5 GPM VR Non-Aerated Spray Device, 13/16-27 Male w/ Key
2	019087-45	6VDC Lithium Battery, CR-P2
3	019088-45	Auxiliary Power Connector Cable
4	5EF-0002	A/C Transformer
5	EC-HYDROGEN-LF	Low Flow Hydro-Generator
6	017506-45	1/2" NPSM Swivel Coupling
7	EC-TMV	ASSE 1070 Thermostatic Mixing Valve
8	5EF-0005	Supply Hose, 9/16-24 Female x 1/2" NPSM
9	019086-45	Body Plug, Pre-Set Temperature
10	019082-45	Body Screw w/ L-Key



A maximum of (8) ChekPoint faucets can be powered by EC-HARDWIRE ChekPoint Hardwire AC Transformer when connected using EC-ADEWIRE cables. (Both sold separately)



015425-45
VR Aerator Key



018543-45
Torx T-20 VR L-Key

Flow Control Switches are Located Behind the Sensor.
 Remove Battery to Access Switches.

* Switches are set to DEFAULT position:

- Auto Time Out = 15 seconds
- Shut Off Delay = 1 second
- Auto Flush = OFF

* Available Water Flow Control Selections:

- Auto Time Out: 15 sec, 30 sec, 45 sec, 60 sec, 3 min, 20 min
- Shut Off Delay: 1 sec, 10 sec, 15 sec, 30 sec
- Auto Flush (30 Seconds After Every 12 Inactive Hours): ON or OFF

Product Specifications:

Chrome Plated Brass Above Deck Electronics Faucet, Single Hole Single Temperature Deck Mount, Cast Spout w/ 0.5 GPM VR Non-Aerated Spray Device, Low Flow Hydro-Generator Powered, Thermostatic Temperature Control Mixing Valve, Stainless Steel Flexible Supply Hoses & 3/8" Compression Inlets

Product Compliance:

ASME A112.18.1 / CSA B125.1
 NSF 61 - Section 9
 NSF 372 (Low Lead Content)
 ANSI A117.1 (ADA)
 UL 1951
 ASSE 1070 (TMV)