



# T&S BRASS AND BRONZE WORKS, INC.

2 Saddleback Cove / P.O. Box 1088  
Travelers Rest, SC 29690

Model No.

**EC-3142-ST-VF05**

Item No.

Travelers Rest, SC: 800-476-4103 • Simi Valley, CA: 800-423-0150 • Fax: 864-834-3518 • www.tsbrass.com



**ADA Compliant**



This Space for Architect/Engineer Approval

Job Name \_\_\_\_\_ Date \_\_\_\_\_

Model Specified \_\_\_\_\_ Quantity \_\_\_\_\_

Customer/Wholesaler \_\_\_\_\_

Contractor \_\_\_\_\_

Architect/Engineer \_\_\_\_\_

Ø 2 1/2"  
[64mm]



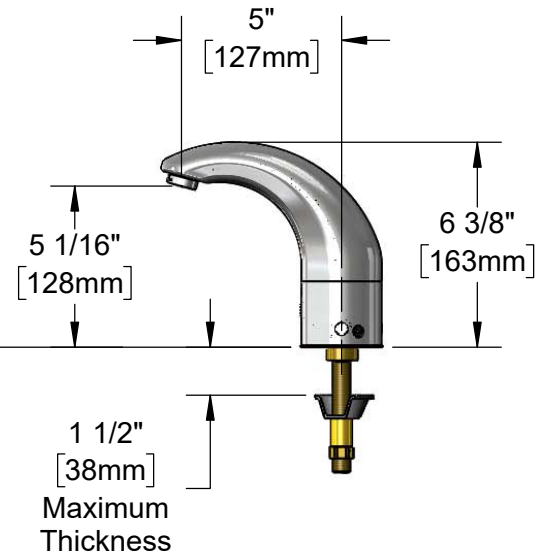
Internal Above Deck  
Electronics w/ Flow  
Control Setting Switches.  
Powered w/ 6 VDC  
Lithium Battery.

Cast Spout w/  
0.5 GPM [1.9 L/min]  
Vandal Resistant  
Non-Aerated Spray  
Device

Removable  
Anti-Rotation Pin

Mounting Surface

13/16"  
[21mm]



Optional 100-240 VAC  
Adapter w/ 71" [1800mm]  
Power Cord

19" [483mm] Flexible  
Stainless Steel Supply Hose  
w/ 1/2" NPSM Swivel End &  
Filter Washer

Check Valve Adapter  
w/ 3/8" Compression Inlet

### Rough-In Requirement:

Ø 1 1/4" [32mm] Mounting Hole

Ø 3/16" [5mm] Anti-Rotation Pin Hole (Optional)

### Product Specifications:

Chrome Plated Brass Above Deck Electronics Faucet, Single Hole  
Single Temperature Deck Mount, Cast Spout w/ 0.5 GPM VR  
Non-Aerated Spray Device, Battery or AC Adapter Powered,  
Stainless Steel Flexible Supply Line & 3/8" Compression Inlet

### Product Compliance:

ASME A112.18.1 / CSA B125.1  
NSF 61 - Section 9  
NSF 372 (Low Lead Content)  
ANSI A117.1 (ADA)  
UL 1951



# T&S BRASS AND BRONZE WORKS, INC.

2 Saddleback Cove / P.O. Box 1088  
Travelers Rest, SC 29690

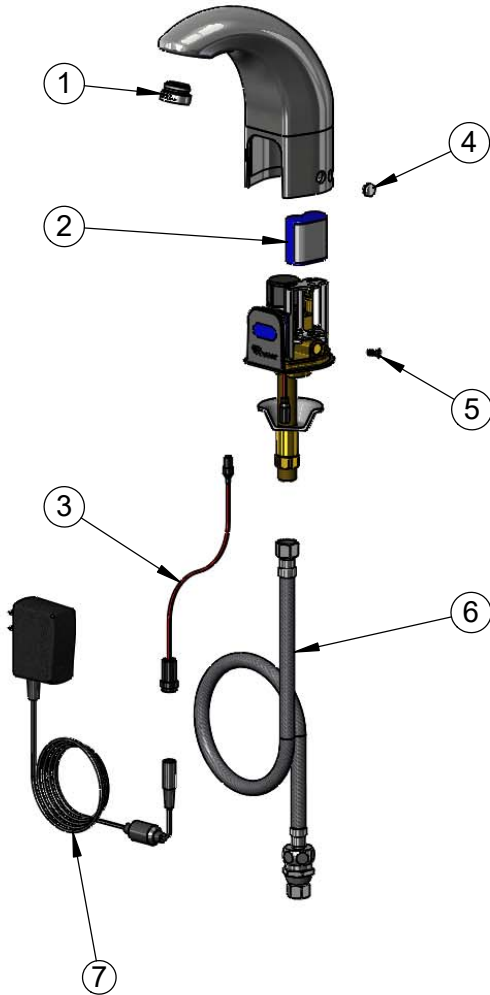
Model No.

**EC-3142-ST-VF05**

Item No.

Travelers Rest, SC: 800-476-4103 • Simi Valley, CA: 800-423-0150 • Fax: 864-834-3518 • www.tsbrass.com

ITEM NO.	SALES NO.	DESCRIPTION
1	B-0199-08-N05	0.5 GPM VR Non-Aerated Spray Device, 13/16-27 Male w/ Key
2	019087-45	6VDC Lithium Battery, CR-P2
3	019088-45	Auxiliary Power Connector Cable
4	019086-45	Body Plug, Pre-Set Temperature
5	019082-45	Body Screw w/ L-Key
6	018544-45	SS Flex Hose w/ Check Valve Adapter
7	5EF-0002	A/C Transformer



A maximum of (8) ChekPoint faucets can be powered by EC-HARDWIRE ChekPoint Hardwire AC Transformer when connected using EC-ADEWIRE cables. (Both sold separately)



015425-45  
VR Aerator Key



018543-45  
Torx T-20 VR L-Key

Flow Control Switches are Located Behind the Sensor.  
Remove Battery to Access Switches.

- \* Switches are set to DEFAULT position:
  - Auto Time Out = 15 seconds
  - Shut Off Delay = 1 second
  - Auto Flush = OFF

- \* Available Water Flow Control Selections:
  - Auto Time Out: 15 sec, 30 sec, 45 sec, 60 sec, 3 min, 20 min
  - Shut Off Delay: 1 sec, 10 sec, 15 sec, 30 sec
  - Auto Flush (30 Seconds After Every 12 Inactive Hours): ON or OFF

**Product Specifications:**

Chrome Plated Brass Above Deck Electronics Faucet, Single Hole  
Single Temperature Deck Mount, Cast Spout w/ 0.5 GPM VR  
Non-Aerated Spray Device, Battery or AC Adapter Powered,  
Stainless Steel Flexible Supply Line & 3/8" Compression Inlet

**Product Compliance:**

ASME A112.18.1 / CSA B125.1  
NSF 61 - Section 9  
NSF 372 (Low Lead Content)  
ANSI A117.1 (ADA)  
UL 1951