



# T&S BRASS AND BRONZE WORKS, INC.

2 Saddleback Cove / P.O. Box 1088  
Travelers Rest, SC 29690

Model No.

**EC-3132-VF05**

Item No.

Travelers Rest, SC: 800-476-4103 • Simi Valley, CA: 800-423-0150 • Fax: 864-834-3518 • www.tsbrass.com



**ADA Compliant**



This Space for Architect/Engineer Approval

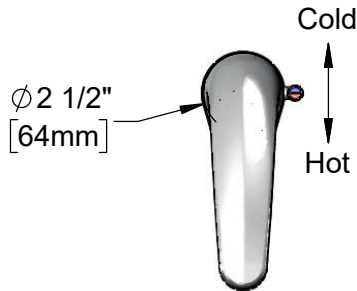
Job Name \_\_\_\_\_ Date \_\_\_\_\_

Model Specified \_\_\_\_\_ Quantity \_\_\_\_\_

Customer/Wholesaler \_\_\_\_\_

Contractor \_\_\_\_\_

Architect/Engineer \_\_\_\_\_

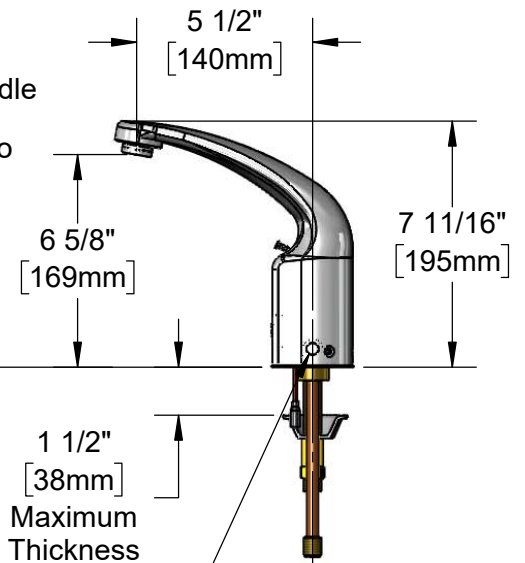


Cast Spout w/  
2.2 GPM [8.3 L/min]  
Vandal Resistant Aerator  
(Optional 0.5 GPM VR  
Non-Aerated Spray  
Device Included)

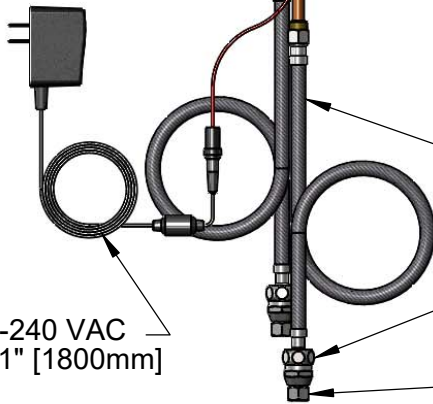
Internal Above Deck  
Electronics w/ Flow  
Control Setting Switches.  
Powered w/ 6 VDC  
Lithium Battery.

Removable  
Anti-Rotation Pin

Temperature Mixing Handle  
w/ Color Coded Index  
(Optional Plug Included to  
Replace Handle When  
Temperature is Preset)



Shown w/ Optional  
Plug Installed When  
Water Temperature  
is Preset (Included)



19" [483mm] Flexible  
Stainless Steel Supply  
Hoses

1/2" NPSM Swivel Ends  
w/ Filter Washers

Check Valve Adapters  
w/ 3/8" Compression  
(9/16"-24 UN) Inlets

Optional 100-240 VAC  
Adapter w/ 71" [1800mm]  
Power Cord

### Rough-In Requirement:

Ø 1 1/4" [32mm] Mounting Hole

Ø 3/16" [5mm] Anti-Rotation Pin Hole (Optional)

### Product Specifications:

Chrome Plated Brass Above Deck Electronics Faucet, Single Hole Deck Mount, Cast Spout w/ VR Aerator, Optional 0.5 GPM VR Spray Device, Point-of-Use Temp. Control, Battery or AC Adapter Powered, 19" Flexible Stainless Steel Supply Hoses & 3/8" Compression Inlets

### Product Compliance:

ASME A112.18.1 / CSA B125.1  
NSF 61 - Section 9  
NSF 372 (Low Lead Content)  
ANSI A117.1 (ADA)  
UL 1951



# T&S BRASS AND BRONZE WORKS, INC.

2 Saddleback Cove / P.O. Box 1088  
Travelers Rest, SC 29690

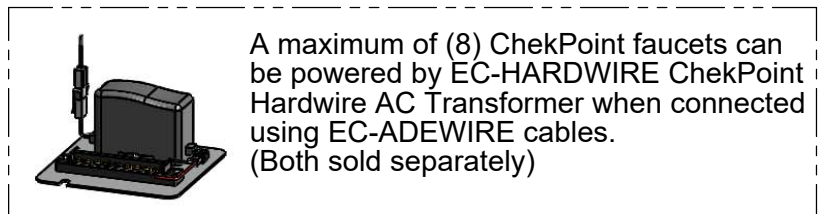
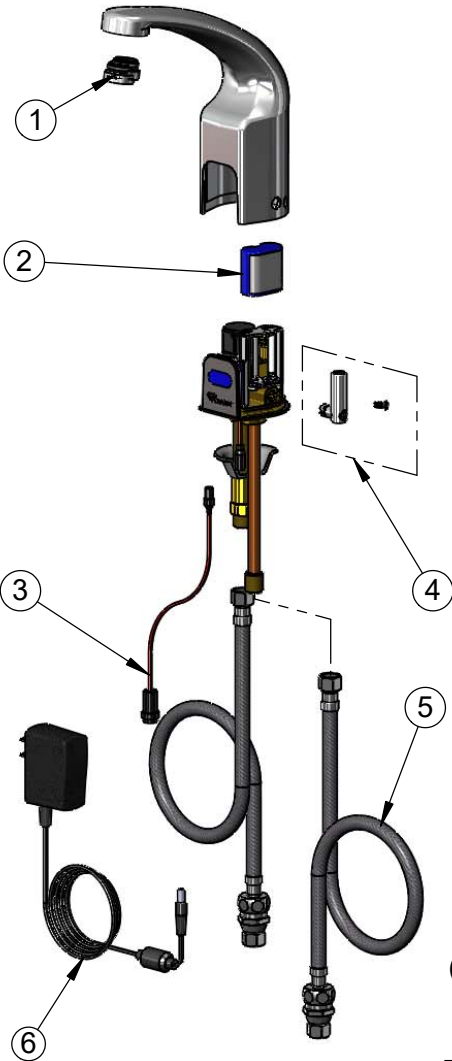
Model No.

**EC-3132-VF05**

Item No.

Travelers Rest, SC: 800-476-4103 • Simi Valley, CA: 800-423-0150 • Fax: 864-834-3518 • www.tsbrass.com

| ITEM NO. | SALES NO.     | DESCRIPTION                                                  |
|----------|---------------|--------------------------------------------------------------|
| 1        | B-0199-08-N05 | VR 0.5 GPM Non-Aerated Spray Device, 13/16-27 UN Male w/ Key |
| 2        | 019087-45     | 6 VDC Lithium Battery, CR-P2                                 |
| 3        | 019088-45     | Auxiliary Power Connector Cable                              |
| 4        | 019082-45     | Lever Arm & Body Screw Kit w/ L-Key                          |
| 5        | 018544-45     | Flexible Stainless Steel Hose w/ Check Valve Adapter         |
| 6        | 5EF-0002      | A/C Transformer                                              |
| 7        | 019086-45     | Body Plug, Pre-Set Temperature                               |



Optional Plug Replaces Lever Handle When Pre-setting Temperature (Installs from Inside of Body)

015425-45  
VR Aerator Key

018543-45  
Torx T-20 VR L-Key

Flow Control Switches are Located Behind the Sensor.  
Remove Battery to Access Switches.

\* Switches are set to DEFAULT position:

- Auto Time Out = 15 seconds
- Shut Off Delay = 1 second
- Auto Flush = OFF

\* Available Water Flow Control Selections:

- Auto Time Out: 15 sec, 30 sec, 45 sec, 60 sec, 3 min, 20 min
- Shut Off Delay: 1 sec, 10 sec, 15 sec, 30 sec
- Auto Flush (30 Seconds After Every 12 Inactive Hours): ON or OFF

**Product Specifications:**

Chrome Plated Brass Above Deck Electronics Faucet, Single Hole Deck Mount, Cast Spout w/ VR Aerator, Optional 0.5 GPM VR Spray Device, Point-of-Use Temp. Control, Battery or AC Adapter Powered, 19" Flexible Stainless Steel Supply Hoses & 3/8" Compression Inlets

**Product Compliance:**

ASME A112.18.1 / CSA B125.1  
NSF 61 - Section 9  
NSF 372 (Low Lead Content)  
ANSI A117.1 (ADA)  
UL 1951