



# T&S BRASS AND BRONZE WORKS, INC.

2 Saddleback Cove / P.O. Box 1088  
Travelers Rest, SC 29690

Model No.

**EC-3132-VF05-HG**

Item No.

Travelers Rest, SC: 800-476-4103 • Simi Valley, CA: 800-423-0150 • Fax: 864-834-3518 • www.tsbrass.com

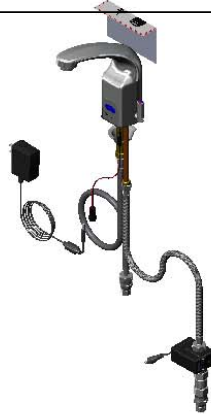


**ADA Compliant**



Ø 2 1/2"  
[64mm]

Cold  
Hot



This Space for Architect/Engineer Approval

Job Name \_\_\_\_\_ Date \_\_\_\_\_

Model Specified \_\_\_\_\_ Quantity \_\_\_\_\_

Customer/Wholesaler \_\_\_\_\_

Contractor \_\_\_\_\_

Architect/Engineer \_\_\_\_\_

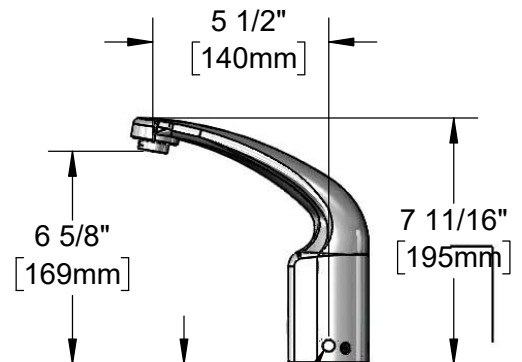
Internal Above Deck Electronics w/ Flow Control Setting Switches. Optional DC Power w/ 6 V Lithium Battery.

Removable Anti-Rotation Pin

Cast Spout w/ 0.5 GPM [1.9 L/min] Vandal Resistant Non-Aerated Spray Device

Temperature Mixing Handle w/ Color Coded Index (Optional Plug Included to Replace Handle When Temperature is Preset)

Mounting Surface



1 1/2"  
[38mm]  
Maximum Thickness

Shown w/ Optional Plug Installed When Water Temperature is Preset (Included)

13/16"  
[21mm]  
Connection to Power Supply

19" [486mm] Flexible Stainless Steel Supply Hoses

Optional 100-240 VAC Adapter w/ 71" [1800mm] Power Cord

Hydro-Generator Power Supply. No Battery or AC Adapter Needed to Supply Power to Faucet

Check Valve Adapters w/ 3/8" Compression (9/16-24 UN) Inlets

### Rough-In Requirement:

- Ø 1 1/4" [32mm] Mounting Hole
- Ø 3/16" [5mm] Anti-Rotation Pin Hole (Optional)

### Product Specifications:

Chrome Plated Brass Above Deck Electronics Faucet, Single Hole Deck Mount, Cast Spout w/ 0.5 GPM VR Non-Aerated Spray Device, Point-of-Use Temperature Control, Hydro-Generator Powered, 19" Flexible Stainless Steel Supply Hoses & 3/8" Compression Inlets

### Product Compliance:

ASME A112.18.1 / CSA B125.1  
NSF 61 - Section 9  
NSF 372 (Low Lead Content)  
ANSI A117.1 (ADA)  
UL 1951



# T&S BRASS AND BRONZE WORKS, INC.

2 Saddleback Cove / P.O. Box 1088  
Travelers Rest, SC 29690

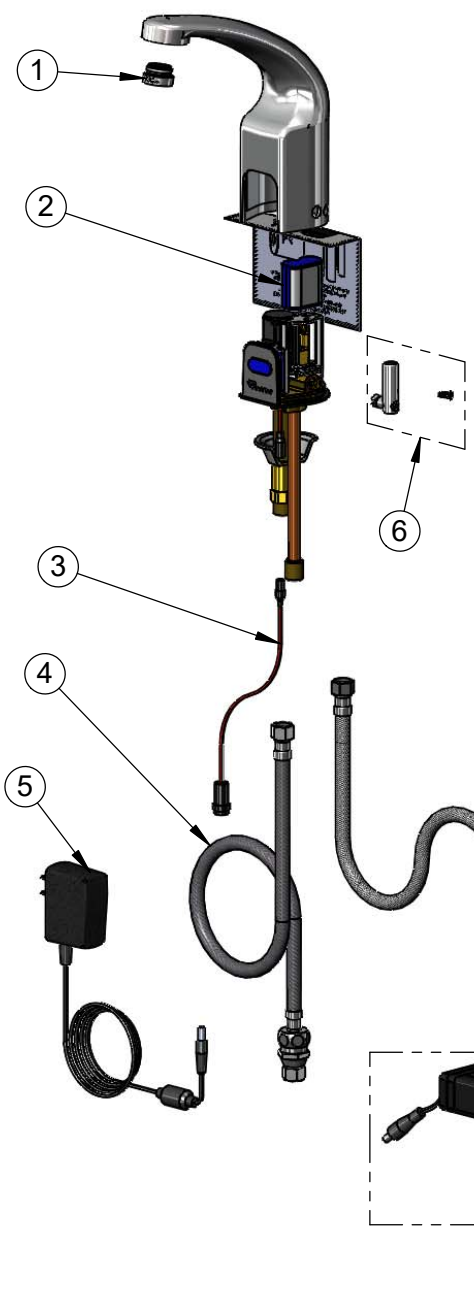
Model No.

**EC-3132-VF05-HG**

Item No.

Travelers Rest, SC: 800-476-4103 • Simi Valley, CA: 800-423-0150 • Fax: 864-834-3518 • www.tsbrass.com

ITEM NO.	SALES NO.	DESCRIPTION
1	B-0199-08-N05	0.5 GPM VR Spray Device, 13/16-27 Male
2	019087-45	6VDC Lithium Battery, CR-P2
3	019088-45	Auxiliary Power Connector Cable
4	018544-45	SS Flex Hose w/ Check Valve Adapter
5	5EF-0002	Plug-In A/C Transformer
6	019082-45	Lever Asm & Body Screw Kit w/ L-Key
7	EC-HYDROGEN-LF	Low Flow Hydro-Generator
8	017506-45	1/2" NPSM Swivel Coupling
9	019086-45	Body Plug, Pre-Set Temperature
70		Lithium Ion-Metal Battery Sticker



Flow Control Switches are Located Behind the Sensor.

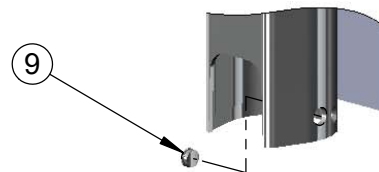
Remove Battery to Access Switches.

\* Switches are set to DEFAULT position:

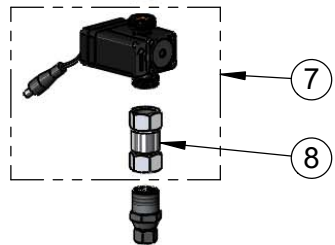
- Auto Time Out = 15 seconds
- Shut Off Delay = 1 second
- Auto Flush = OFF

\* Available Water Flow Control Selections:

- Auto Time Out: 15 sec, 30 sec, 45 sec, 60 sec, 3 min, 20 min
- Shut Off Delay: 1 sec, 10 sec, 15 sec, 30 sec
- Auto Flush (30 Seconds After Every 12 Inactive Hours): ON or OFF



Optional Plug Replaces  
Lever Handle When  
Pre-setting Temperature  
(Installs from Inside of Body)



015425-45  
VR Aerator Key



018543-45  
Torx T-20 VR L-Key

**Product Specifications:**

Chrome Plated Brass Above Deck Electronics Faucet, Single Hole Deck Mount, Cast Spout w/ 0.5 GPM VR Non-Aerated Spray Device, Point-of-Use Temperature Control, Hydro-Generator Powered, 19" Flexible Stainless Steel Supply Hoses & 3/8" Compression Inlets

**Product Compliance:**

ASME A112.18.1 / CSA B125.1  
NSF 61 - Section 9  
NSF 372 (Low Lead Content)  
ANSI A117.1 (ADA)  
UL 1951