



T&S BRASS AND BRONZE WORKS, INC.

2 Saddleback Cove / P.O. Box 1088
Travelers Rest, SC 29690

Model No.

EC-3105TMVHGF10

Item No.

Travelers Rest, SC: 800-476-4103 • Simi Valley, CA: 800-423-0150 • Fax: 864-834-3518 • www.tsbrass.com



ADA Compliant



This Space for Architect/Engineer Approval

Job Name _____ Date _____

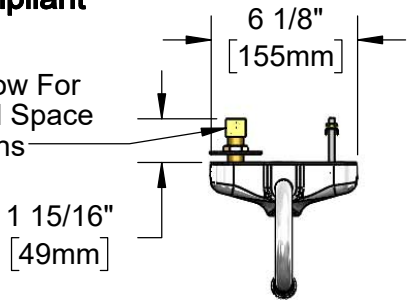
Model Specified _____ Quantity _____

Customer/Wholesaler _____

Contractor _____

Architect/Engineer _____

Short Elbow For Restricted Space Installations



1/2" NPSM x 3/8" NPSM
30" [762mm] Flexible
Stainless Steel Hose

Rigid Gooseneck w/
B-0199-06-F10
VR 1.0 GPM Aerator

Solid Cast Brass Body w/
Polish Chrome Plated Finish

24" [610mm]
Sensor Cable

Removable
Strainer

EC-HYDROGEN
Hydro-Generator
Power Supply.
No AA Batteries
Needed to Supply
Power to Faucet

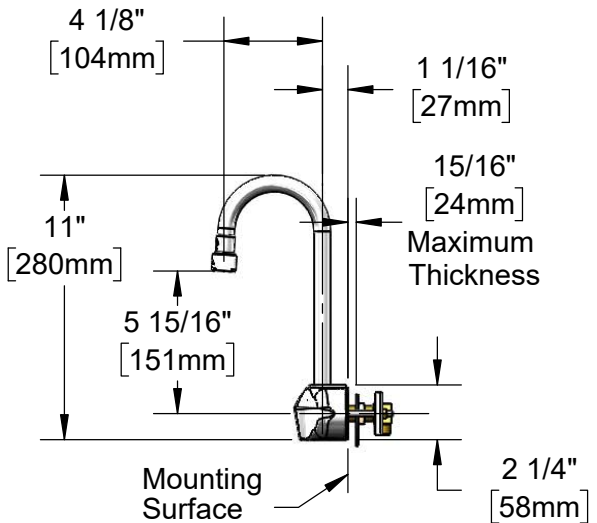
3 5/8" x 4 3/16" x 2" Deep
[92mm x 106mm x 51mm]
Water Resistant Control Module Box (Grey)
w/ Internal Flow Control Setting
Switches, AC or DC Operated w/ (4) AA
Batteries.
Hardwire Capable Using Terminals on Back

100-240 VAC Adapter w/
71" [1800mm] Power Cable.
(Remove Rubber Plugs on
Module and Cable to Connect)

(2) 3/8" Compression x 1/2" NPSM
18" [457mm] Flexible Stainless Steel
Supply Hose

EC-TMV
ASSE 1070 Temperature Mixing
Valve w/ Integral Check Valves

Rough-In Requirement:
(2) 1" [25mm] Mounting Holes on 4" [102mm] Centers



Product Specifications:

Chrome Plated Brass Electronic Faucet: 4" Wall Mount Rigid Gooseneck w/ 1.0 GPM VR Aerator, AC/DC Control Module w/ Internal Flow Control Setting Switches, Thermostatic Temperature Control Mixing Valve w/ Integral Check Valves, Hydro-Generator & 18" Hot & Cold Supply Stop Flexible Connector Hoses

Product Compliance:

ASME A112.18.1 / CSA B125.1
NSF 61 - Section 9
NSF 372 (Low Lead Content)
ANSI A117.1 (ADA)
UL 1951
ASSE 1070 (TMV)

Drawn: KJG

Checked: JRM

Approved: JHB

Date: 04/30/19

Scale: 1:8

Sheet: 1 of 2



T&S BRASS AND BRONZE WORKS, INC.

2 Saddleback Cove / P.O. Box 1088
Travelers Rest, SC 29690

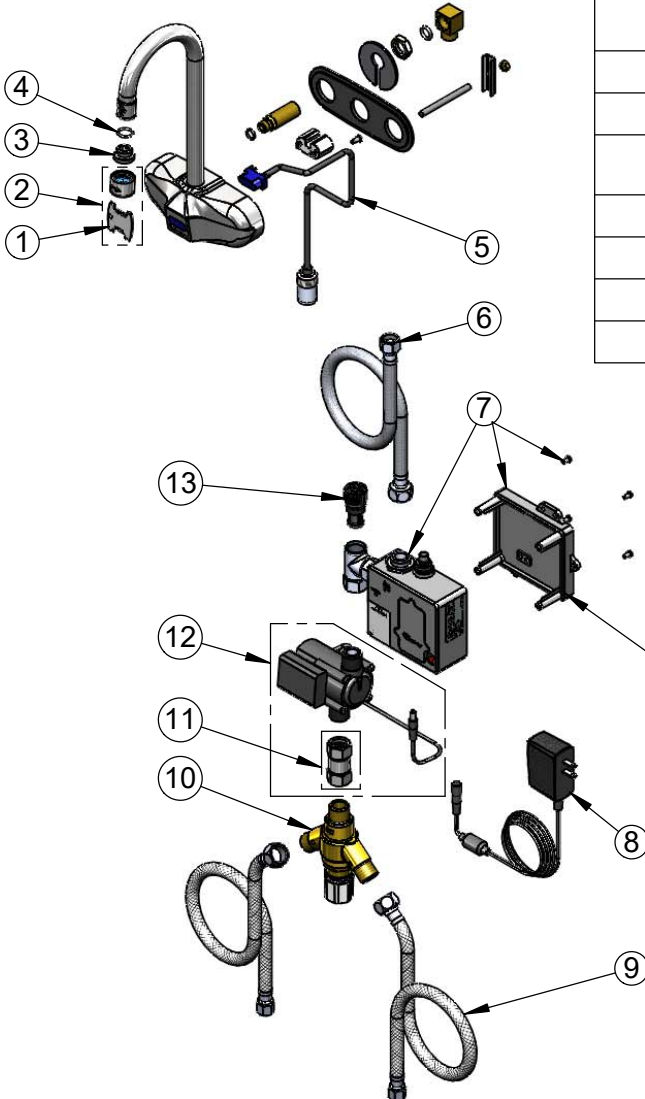
Model No.

EC-3105TMVHGF10

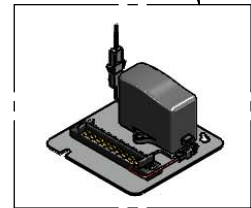
Item No.

Travelers Rest, SC: 800-476-4103 • Simi Valley, CA: 800-423-0150 • Fax: 864-834-3518 • www.tsbrass.com

ITEM NO.	SALES NO.	DESCRIPTION
1	015425-45	Vandal Resistant Key
2	B-0199-06-F10	VR Aerator, 1.0 GPM, 55/64-27 Female
3	044A	3/8" to Aerator Adapter
4	006575-45	O-Ring
5	017195-45	Angled Sensor w/ Cable
6	016325-45	Flex Connector, 3/8 NPSM x 1/2 NPSM
7	016647-45	ChekPoint Electronic Module (Gray)
8	5EF-0002	A/C Transformer
9	5EF-0005	Supply Hose, 9/16-24 Female x 1/2" NPSM
10	EC-TMV	ASSE Thermostatic Mixing Valve
11	017506-45	1/2" NPSM Swivel Coupling
12	EC-HYDROGEN	HydroGenerator Power Supply
13	EC-FILTER	Replacement Filter



A Maximum of (8) ChekPoint Faucets can be Hardwire Connected and Powered by EC-HARDWIRE ChekPoint Hardwire AC Transformer. (Sold Separately)



Label for Flow Control Switch Settings is Located on Inside of Back Cover.

Flow Control Switches are Located Inside Module Housing in Black Box Next to Battery Compartment.
*Switches are Set to DEFAULT Position:
- Auto Time Out = 15 Seconds
- Shut Off Delay = 1 Second
- Auto Flush = OFF

Remove (4) Screws and Back Cover to Access Switches.

***Available Water Flow Control Selections:**

- Auto Time Out: 15 sec, 30 sec, 45 sec, 60 sec, 3 min, 20 min
- Shut Off Delay: 1 sec, 10 sec, 15 sec, 30 sec
- Auto Flush (30 Seconds After Every 12 Inactive Hours): ON or OFF

Product Specifications:

Chrome Plated Brass Electronic Faucet: 4" Wall Mount Rigid Gooseneck w/ 1.0 GPM VR Aerator, AC/DC Control Module w/ Internal Flow Control Setting Switches, Thermostatic Temperature Control Mixing Valve w/ Integral Check Valves, Hydro-Generator & 18" Hot & Cold Supply Stop Flexible Connector Hoses

Product Compliance:

ASME A112.18.1 / CSA B125.1
NSF 61 - Section 9
NSF 372 (Low Lead Content)
ANSI A117.1 (ADA)
UL 1951
ASSE 1070 (TMV)