



# T&S BRASS AND BRONZE WORKS, INC.

2 Saddleback Cove / P.O. Box 1088  
Travelers Rest, SC 29690

Model No.

**EC-3102-SMT4**

Item No.

Travelers Rest, SC: 800-476-4103 • Simi Valley, CA: 800-423-0150 • Fax: 864-834-3518 • www.tsbrass.com



**ADA Compliant**



This Space for Architect/Engineer Approval

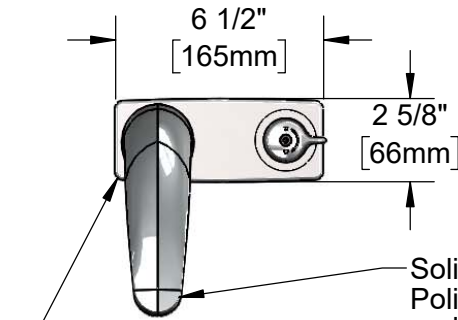
Job Name \_\_\_\_\_ Date \_\_\_\_\_

Model Specified \_\_\_\_\_ Quantity \_\_\_\_\_

Customer/Wholesaler \_\_\_\_\_

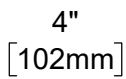
Contractor \_\_\_\_\_

Architect/Engineer \_\_\_\_\_



Solid Cast Brass Spout w/  
Polish Chrome Plated Finish  
and 2.2 GPM [8.3L/min] Vandal  
Resistant Aerator

Chrome Plated  
Die Cast Deck Plate

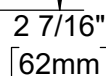
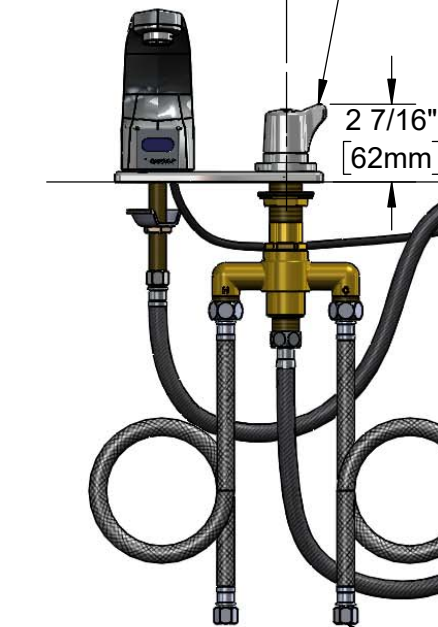


EC-SMT Above Deck Side  
Mount Adjustable Thermostatic  
Mixing Valve w/ Check Valves

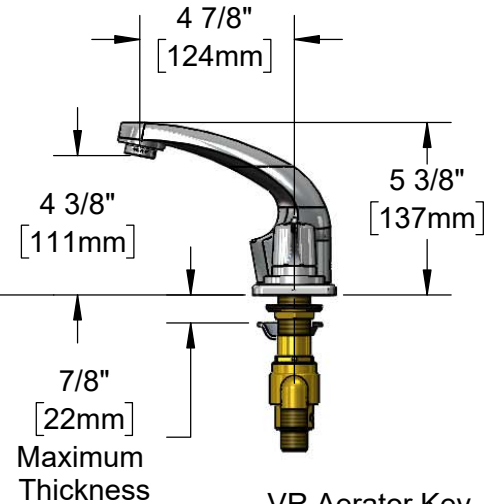
1/2" NPSM x 1/4" NPSM  
18" [457mm] Flexible  
Stainless Steel Hose

Removable  
Strainer

24" [610mm]  
Sensor Cable



3 5/8" x 4 3/16" x 2" Deep  
[92mm x 106mm x 51mm]  
Water Resistant Control Module Box  
(Grey) w/ Internal Flow Control Setting  
Switches, AC or DC Operated w/ (4) AA  
Batteries. Hardwire Capable Using  
Terminals on Back



Mounting  
Surface

7/8"  
[22mm]  
Maximum  
Thickness

100-240 VAC Adapter  
w/ 71' [1800mm] Power  
Cord. (Remove Rubber  
Plugs on Module and  
Cable to Connect)

VR Aerator Key  
(Included)

VR Screw L-Key  
(Included)

Shank Nut Wrench  
(Included)

Rough-In Requirement:  
(2)  $\phi$  1" [25mm] Mounting Holes

1/2" NPSM x 1/2" NPSM  
16" [406mm] Flexible  
Stainless Steel Hose  
(2) 3/8" Compression x 1/2" NPSM  
18" [457mm] Flexible Stainless Steel  
Supply Hose

### Product Specifications:

Chrome Plated Brass Electronic Faucet: Single Hole Deck Mount Spout w/ 2.2 GPM VR Aerator, 4" Centers Deck Plate, Above Deck Side Mount Adjustable Thermostatic Mixing Valve w/ Check Valves, AC/DC Control Module with Internal Flow Control Setting Switches, 18" Hot & Cold Supply Stop Flexible Connector Hoses

### Product Compliance:

ASME A112.18.1 / CSA B125.1  
NSF 61 - Section 9  
NSF 372 (Low Lead Content)  
ANSI A117.1 (ADA)  
UL 1951  
ASSE 1070 (TMV)



# T&S BRASS AND BRONZE WORKS, INC.

2 Saddleback Cove / P.O. Box 1088  
Travelers Rest, SC 29690

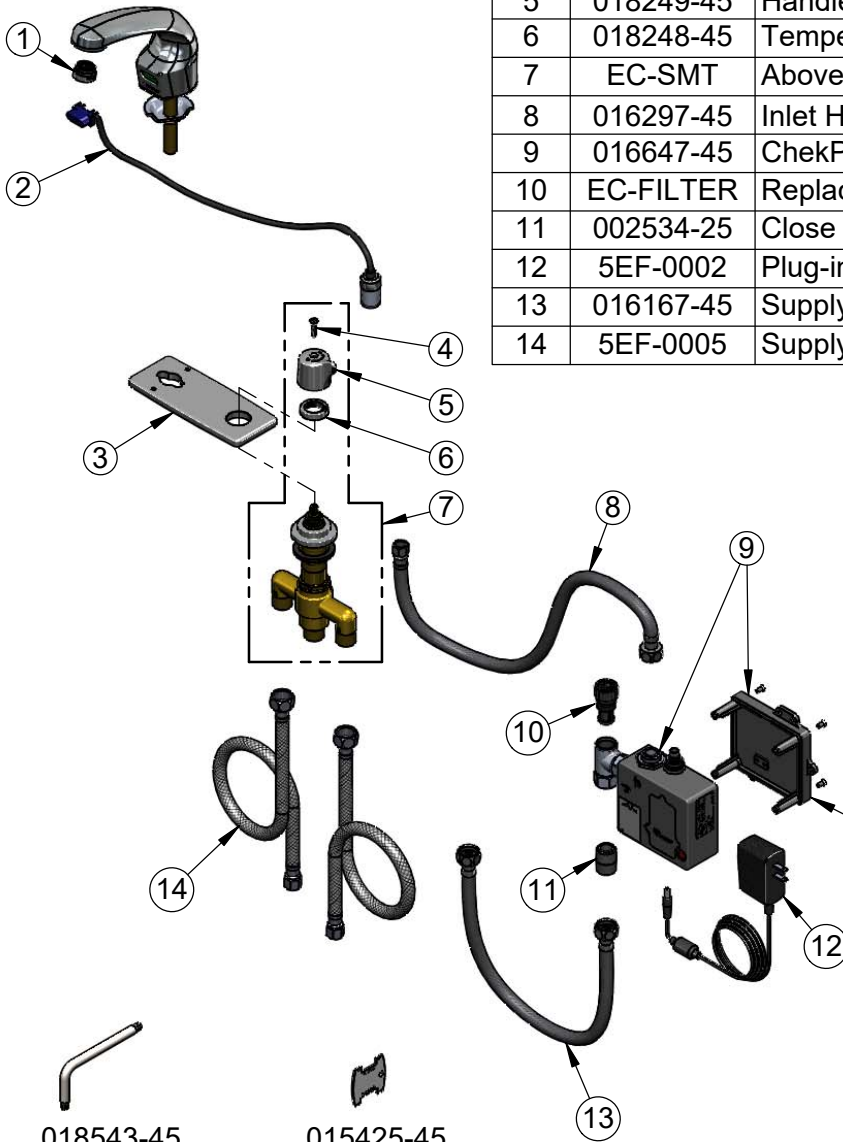
Model No.

**EC-3102-SMT4**

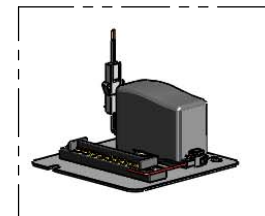
Item No.

Travelers Rest, SC: 800-476-4103 • Simi Valley, CA: 800-423-0150 • Fax: 864-834-3518 • www.tsbrass.com

ITEM NO.	SALES NO.	DESCRIPTION
1	B-0199-08	VR 2.2 GPM Aerator, 13/16-27 UN Male w/ Key
2	017195-45	Angled Sensor w/ Cable
3	018250-45	ChekPoint 4" C-C SMT Deck Plate
4	018541-45	M4 x 20mm, SS, Torx VR FH Screw
5	018249-45	Handle
6	018248-45	Temperature Limit Stop
7	EC-SMT	Above Deck Thermostatic Mixing Valve w/ Handle
8	016297-45	Inlet Hose, Faucet, 1/2" NPSM-F x 1/4" NPSM-F
9	016647-45	ChekPoint Module (Grey)
10	EC-FILTER	Replacement Filter
11	002534-25	Close Nipple, 1/2" NPT
12	5EF-0002	Plug-in AC Transformer
13	016167-45	Supply Hose, 1/2" NPSM Female x 1/2" NPSM Female
14	5EF-0005	Supply Hose, 9/16-24 Female x 1/2" NPSM



A Maximum of (8) ChekPoint Faucets can be Hardwire Connected and Powered by EC-HARDWIRE ChekPoint Hardwire AC Transformer. (Sold Separately)



Label for Flow Control Switch Settings is Located on Inside of Back Cover.

Flow Control Switches are Located Inside Module Housing in Black Box Next to Battery Compartment.  
\*Switches are Set to DEFAULT Position:  
- Auto Time Out = 15 Seconds  
- Shut Off Delay = 1 Second  
- Auto Flush = OFF

Remove (4) Screws and Back Cover to Access Switches.

**\*Available Water Flow Control Selections:**

- Auto Time Out: 15 sec, 30 sec, 45 sec, 60 sec, 3 min, 20 min
- Shut Off Delay: 1 sec, 10 sec, 15 sec, 30 sec
- Auto Flush (30 Seconds After Every 12 Inactive Hours): ON or OFF

**Product Specifications:**

Chrome Plated Brass Electronic Faucet: Single Hole Deck Mount Spout w/ 2.2 GPM VR Aerator, 4" Centers Deck Plate, Above Deck Side Mount Adjustable Thermostatic Mixing Valve w/ Check Valves, AC/DC Control Module with Internal Flow Control Setting Switches, 18" Hot & Cold Supply Stop Flexible Connector Hoses

**Product Compliance:**

ASME A112.18.1 / CSA B125.1  
NSF 61 - Section 9  
NSF 372 (Low Lead Content)  
ANSI A117.1 (ADA)  
UL 1951  
ASSE 1070 (TMV)