



T&S BRASS AND BRONZE WORKS, INC.
 2 Saddleback Cove / P.O. Box 1088
 Travelers Rest, SC 29690

Model No.

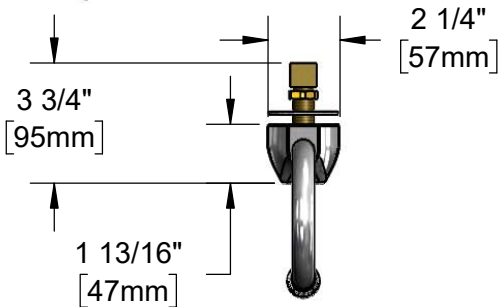
EC-3101-VF05

Item No.

Travelers Rest, SC: 800-476-4103 • Simi Valley, CA: 800-423-0150 • Fax: 864-834-3518 • www.tsbrass.com



ADA Compliant



This Space for Architect/Engineer Approval

Job Name _____ Date _____

Model Specified _____ Quantity _____

Customer/Wholesaler _____

Contractor _____

Architect/Engineer _____

Rigid Gooseneck w/
 B-0199-06-N05
 VR 0.5 GPM
 Non-Aerated
 Spray Device

1/2" NPSM x 3/8" NPSM
 30" [762mm] Flexible
 Stainless Steel Hose

Removable
 Strainer

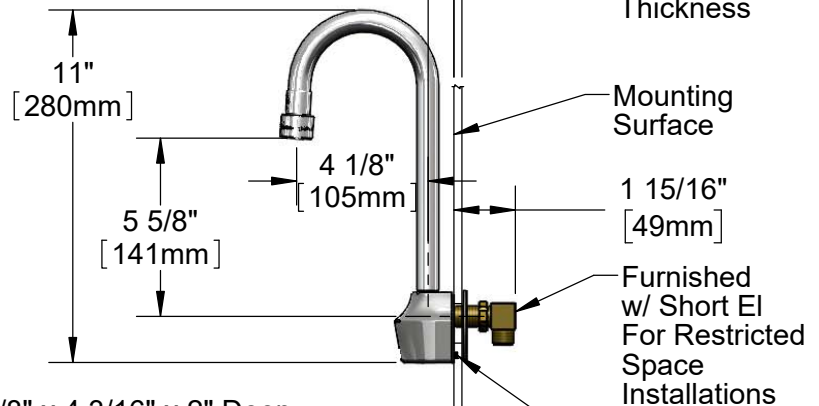
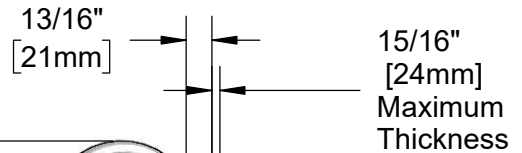
Temperature
 Mixing Valve
 w/ Check
 Valves

24" [610mm]
 Sensor Cable

3 5/8" x 4 3/16" x 2" Deep
 [92mm x 106mm x 51mm]
 Water Resistant Control Module Box (Grey)
 w/ Internal Flow Control Setting Switches
 AC or DC Operated w/ (4) AA Batteries.
 Hardwire Capable using Terminals on Back

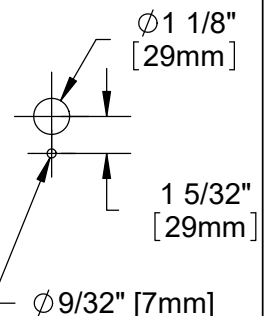
100-240 VAC Adapter
 w/ 71' [1800mm] Power Cord.
 (Remove Rubber Plugs on
 Module and Cable to Connect)

(2) 3/8" Compression x 1/2" NPSM
 18" [457mm] Flexible Stainless Steel
 Supply Hose



Unscrew Set
 Screw in Body
 to Desired Height
 for Anti-rotation
 Feature.
 (See Mounting
 Hole Detail)

Mounting Hole
 Detail



Product Specifications:

Chrome Plated Brass Electronic Faucet: Wall Mount Rigid Gooseneck w/
 VR 0.5 GPM Non-Aerated Spray Device, AC/DC Cont. Module w/ Internal
 Flow Control Setting Switches, Temperature Control Mixing Valve w/
 Check Valves & 18" Flexible Stainless Steel Supply Hoses

Product Compliance:

ASME A112.18.1 / CSA B125.1
 NSF 61 - Section 9
 NSF 372 (Low Lead Content)
 ANSI A117.1 (ADA)
 UL 1951



T&S BRASS AND BRONZE WORKS, INC.

2 Saddleback Cove / P.O. Box 1088
Travelers Rest, SC 29690

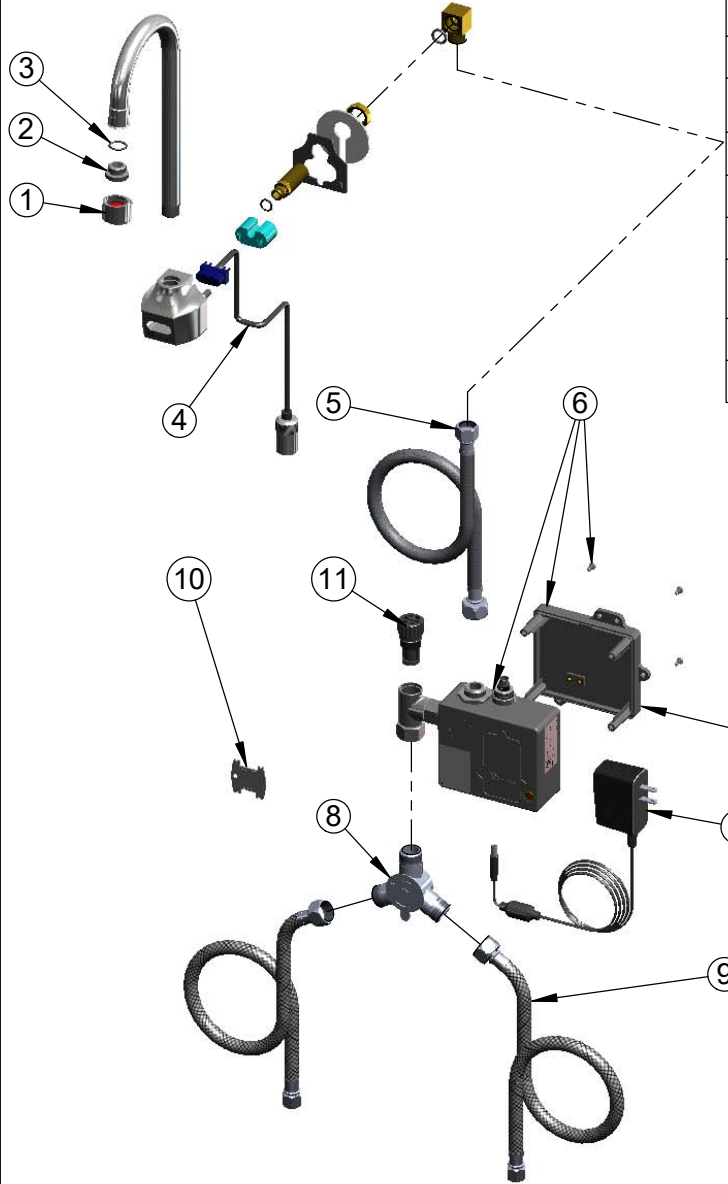
Model No.

EC-3101-VF05

Item No.

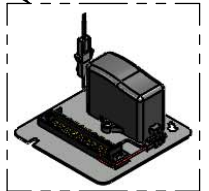
Travelers Rest, SC: 800-476-4103 • Simi Valley, CA: 800-423-0150 • Fax: 864-834-3518 • www.tsbrass.com

ITEM NO.	SALES NO.	DESCRIPTION
1	B-0199-06-N05	VR 0.5 GPM Non-Aerated Spray Device, 55/64-27 UN Female w/ Key
2	044A	3/8" to Aerator Adapter
3	006575-45	-015 O-Ring
4	017195-45	Angled Sensor w/ Cable
5	016325-45	Flex Connector, 3/8 NPSM x 1/2 NPSM
6	016647-45	ChekPoint Electronic Module (Grey)
7	5EF-0002	A/C Transformer
8	5EF-0006	Mechanical Mixing Valve
9	5EF-0005	Supply Hose, 9/16-24 Female x 1/2" NPSM
10	015425-45	Vandal Resistant Key
11	EC-FILTER	Replacement Filter



A Maximum of (8) ChekPoint Faucets can be Hardwire Connected and Powered by EC-HARDWIRE ChekPoint Hardwire AC Transformer. (Sold Separately)

Label for Flow Control Switch Settings is Located on Inside of Back Cover.



Flow Control Switches are Located Inside Module Housing in Black Box Next to Battery Compartment.
*Switches are Set to DEFAULT Position:
- Auto Time Out = 15 Seconds
- Shut Off Delay = 1 Second
- Auto Flush = OFF

Remove (4) Screws and Back Cover to Access Switches.

***Available Water Flow Control Selections:**

- Auto Time Out: 15 sec, 30 sec, 45 sec, 60 sec, 3 min, 20 min
- Shut Off Delay: 1 sec, 10 sec, 15 sec, 30 sec
- Auto Flush (30 Seconds After Every 12 Inactive Hours): ON or OFF

Product Specifications:

Chrome Plated Brass Electronic Faucet: Wall Mount Rigid Gooseneck w/ VR 0.5 GPM Non-Aerated Spray Device, AC/DC Cont. Module w/ Internal Flow Control Setting Switches, Temperature Control Mixing Valve w/ Check Valves & 18" Flexible Stainless Steel Supply Hoses

Product Compliance:

ASME A112.18.1 / CSA B125.1
NSF 61 - Section 9
NSF 372 (Low Lead Content)
ANSI A117.1 (ADA)
UL 1951