



T&S BRASS AND BRONZE WORKS, INC.

2 Saddleback Cove / P.O. Box 1088
Travelers Rest, SC 29690

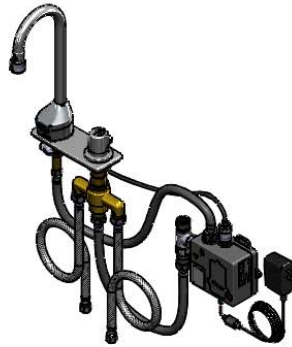
Model No.
EC-3100-SMT4V05

Item No.

Travelers Rest, SC: 800-476-4103 • Simi Valley, CA: 800-423-0150 • Fax: 864-834-3518 • www.tsbrass.com



ADA Compliant



This Space for Architect/Engineer Approval

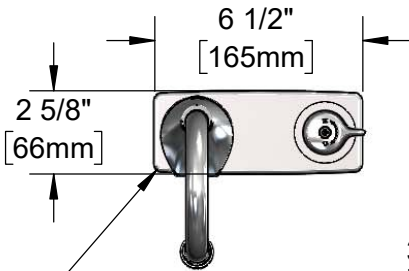
Job Name _____ Date _____

Model Specified _____ Quantity _____

Customer/Wholesaler _____

Contractor _____

Architect/Engineer _____



Chrome Plated
Die Cast Deck Plate

3 5/8" x 4 3/16" x 2" Deep
[92mm x 106mm x 51mm]
Water Resistant Control Module Box (Grey)
w/ Internal Flow Control Setting Switches,
AC or DC Operated w/ (4) AA Batteries.
Hardwire Capable Using Terminals on Back

Rigid Gooseneck w/
B-0199-06-N05,
0.5 GPM VR Spray Device

EC-SMT Above Deck Side Mount
Adjustable Thermostatic Mixing Valve
w/ Check Valves

4"
[102mm]

1/2" NPSM x 1/4" NPSM
18" [457mm] Flexible
Stainless Steel Hose

Removable
Strainer

24" [610mm]
Sensor Cable

2 7/16"
[62mm]

Mounting
Surface

7 5/16"
[186mm]

11 5/16"
[287mm]

4 1/8"
[104mm]

7/8"
[22mm]
Maximum
Thickness

100-240 VAC Adapter
w/ 71" [1800mm] Power
Cord. (Remove Rubber
Plugs on Module and
Cable to Connect)

VR Aerator Key
(Included)

VR Screw L-Key
(Included)

1/2" NPSM x 1/2" NPSM
16" [406mm] Flexible
Stainless Steel Hose

Shank Nut Wrench
(Included)

(2) 3/8" Compression x 1/2" NPSM
18" [457mm] Flexible Stainless Steel
Supply Hose

Rough-In Requirement:
(2) ϕ 1" [25mm] Mounting Holes

Product Specifications:

Chrome Plated Brass Electronic Faucet: Deck Mount Rigid Gooseneck w/ 4" Centers Deck Plate, Above Deck Side Mount Adjustable Thermostatic Mixing Valve w/ Check Valves, 0.5 GPM VR Spray Device, AC/DC Control Module with Internal Flow Control Setting Switches, 18" Flexible Supply Hoses

Product Compliance:

ASME A112.18.1 / CSA B125.1
NSF 61 - Section 9
NSF 372 (Low Lead Content)
ANSI A117.1 (ADA)
UL 1951
ASSE 1070 (TMV)



T&S BRASS AND BRONZE WORKS, INC.

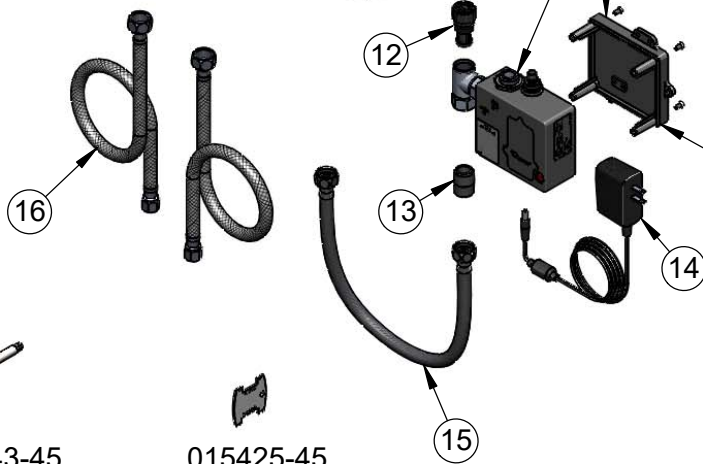
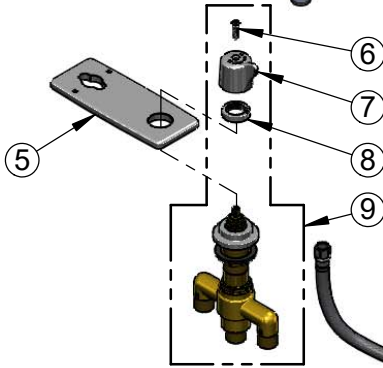
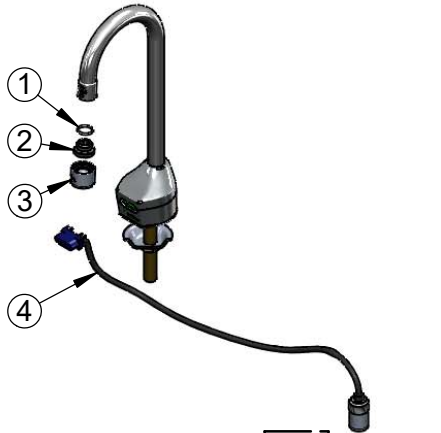
2 Saddleback Cove / P.O. Box 1088
Travelers Rest, SC 29690

Model No.

EC-3100-SMT4V05

Item No.

Travelers Rest, SC: 800-476-4103 • Simi Valley, CA: 800-423-0150 • Fax: 864-834-3518 • www.tsbrass.com

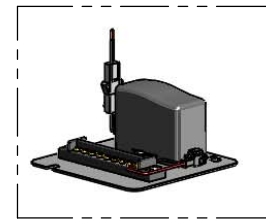


018543-45
VR Screw L-Key

015425-45
VR Aerator Key

| ITEM NO. | SALES NO. | DESCRIPTION |
|----------|---------------|--|
| 1 | 006575-45 | O-Ring |
| 2 | 044A | 3/8" to Aerator Adapter |
| 3 | B-0199-06-N05 | 0.5 GPM VR Spray Device, 55/64-27 Female |
| 4 | 017195-45 | Angled Sensor w/ Cable |
| 5 | 018250-45 | ChekPoint 4" C-C SMT Deck Plate |
| 6 | 018541-45 | M4 x 20mm, SS, Torx VR FH Screw |
| 7 | 018249-45 | Handle |
| 8 | 018248-45 | Temperature Limit Stop |
| 9 | EC-SMT | Above Deck Thermostatic Mixing Valve w/ Handle |
| 10 | 016297-45 | Inlet Hose, Faucet, 1/2" NPSM-F x 1/4" NPSM-F |
| 11 | 016647-45 | ChekPoint Module (Grey) |
| 12 | EC-FILTER | Replacement Filter |
| 13 | 002534-25 | Close Nipple, 1/2" NPT |
| 14 | 5EF-0002 | Plug-in AC Transformer |
| 15 | 016167-45 | Supply Hose, 1/2" NPSM Female x 1/2" NPSM Female |
| 16 | 5EF-0005 | Supply Hose, 9/16-24 Female x 1/2" NPSM |

A Maximum of (8) ChekPoint Faucets can be Hardwire Connected and Powered by EC-HARDWIRE ChekPoint Hardwire AC Transformer. (Sold Separately)



Label for Flow Control Switch Settings is Located on Inside of Back Cover.

Flow Control Switches are Located Inside Module Housing in Black Box Next to Battery Compartment.
*Switches are Set to DEFAULT Position:
- Auto Time Out = 15 Seconds
- Shut Off Delay = 1 Second
- Auto Flush = OFF

Remove (4) Screws and Back Cover to Access Switches.

*Available Water Flow Control Selections:

- Auto Time Out: 15 sec, 30 sec, 45 sec, 60 sec, 3 min, 20 min
- Shut Off Delay: 1 sec, 10 sec, 15 sec, 30 sec
- Auto Flush (30 Seconds After Every 12 Inactive Hours): ON or OFF

Product Specifications:

Chrome Plated Brass Electronic Faucet: Deck Mount Rigid Gooseneck w/ 4" Centers Deck Plate, Above Deck Side Mount Adjustable Thermostatic Mixing Valve w/ Check Valves, 0.5 GPM VR Spray Device, AC/DC Control Module with Internal Flow Control Setting Switches, 18" Flexible Supply Hoses

Product Compliance:

ASME A112.18.1 / CSA B125.1
NSF 61 - Section 9
NSF 372 (Low Lead Content)
ANSI A117.1 (ADA)
UL 1951
ASSE 1070 (TMV)