



T&S BRASS AND BRONZE WORKS, INC.

2 Saddleback Cove / P.O. Box 1088
Travelers Rest, SC 29690

Model No.

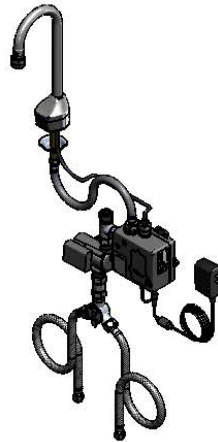
EC-3100-HG

Item No.

Travelers Rest, SC: 800-476-4103 • Simi Valley, CA: 800-423-0150 • Fax: 864-834-3518 • www.tsbrass.com



ADA Compliant



This Space for Architect/Engineer Approval

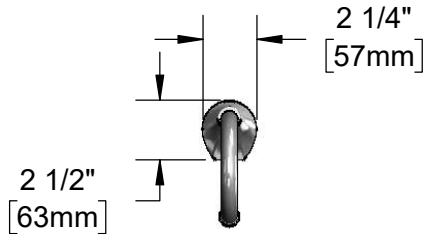
Job Name _____ Date _____

Model Specified _____ Quantity _____

Customer/Wholesaler _____

Contractor _____

Architect/Engineer _____

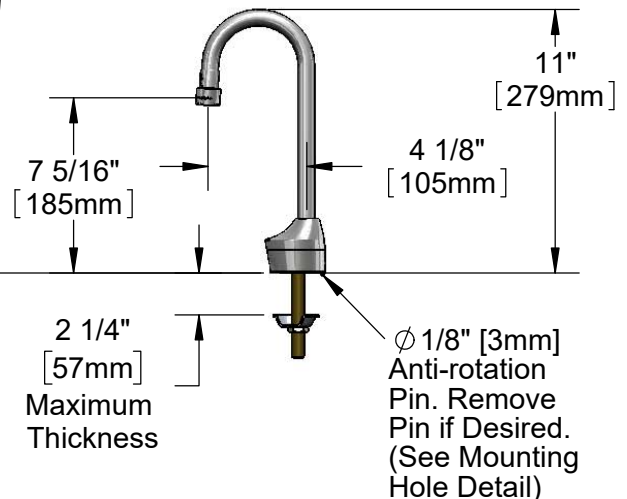


3 5/8" x 4 3/16" x 2" Deep
[92mm x 106mm x 51mm]
Water Resistant Control Module Box (Grey)
w/ Internal Flow Control Setting Switches,
AC or DC operated w/ (4) AA
Batteries If Hydro-Generator is Not Used.
Hardwire Capable using Terminals on Back

Rigid Gooseneck
w/ 2.2 GPM [8.3 L/min]
Vandal Resistant Aerator

24" [610mm]
Sensor Cable

Removable
Strainer
Mounting
Surface



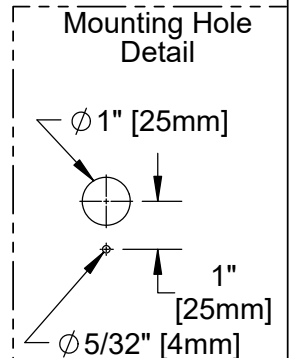
1/2" NPSM x 1/4" NPSM
18" [457mm] Flexible
Stainless Steel Hose

Hydro-Generator
Power Supply.
No AA Batteries
or AC Adapter
Needed to Supply
Power to Faucet.

Optional
100-240 VAC Adapter
w/ 71" [1800mm] Power
Cord (Included).
(Remove Rubber Plugs
on Module and Cable
to Connect)

Temperature Mixing Valve
w/ Check Valves

(2) 3/8" Compression x 1/2" NPSM
18" [457mm] Flexible Stainless Steel
Supply Hose



Product Specifications:

Chrome Plated Brass Electronic Faucet: Deck Mount Rigid Gooseneck w/ VR Aerator, AC/DC Control Module w/ Internal Flow Cont. Setting Switches, Temperature Control Mixing Valve w/ Check Valves, Hydro-Generator, 18" Hot & Cold Supply Stop Flexible Connector Hoses

Product Compliance:

ASME A112.18.1 / CSA B125.1
NSF 61 - Section 9
NSF 372 (Low Lead Content)
ANSI A117.1 (ADA)
UL 1951



T&S BRASS AND BRONZE WORKS, INC.

2 Saddleback Cove / P.O. Box 1088
Travelers Rest, SC 29690

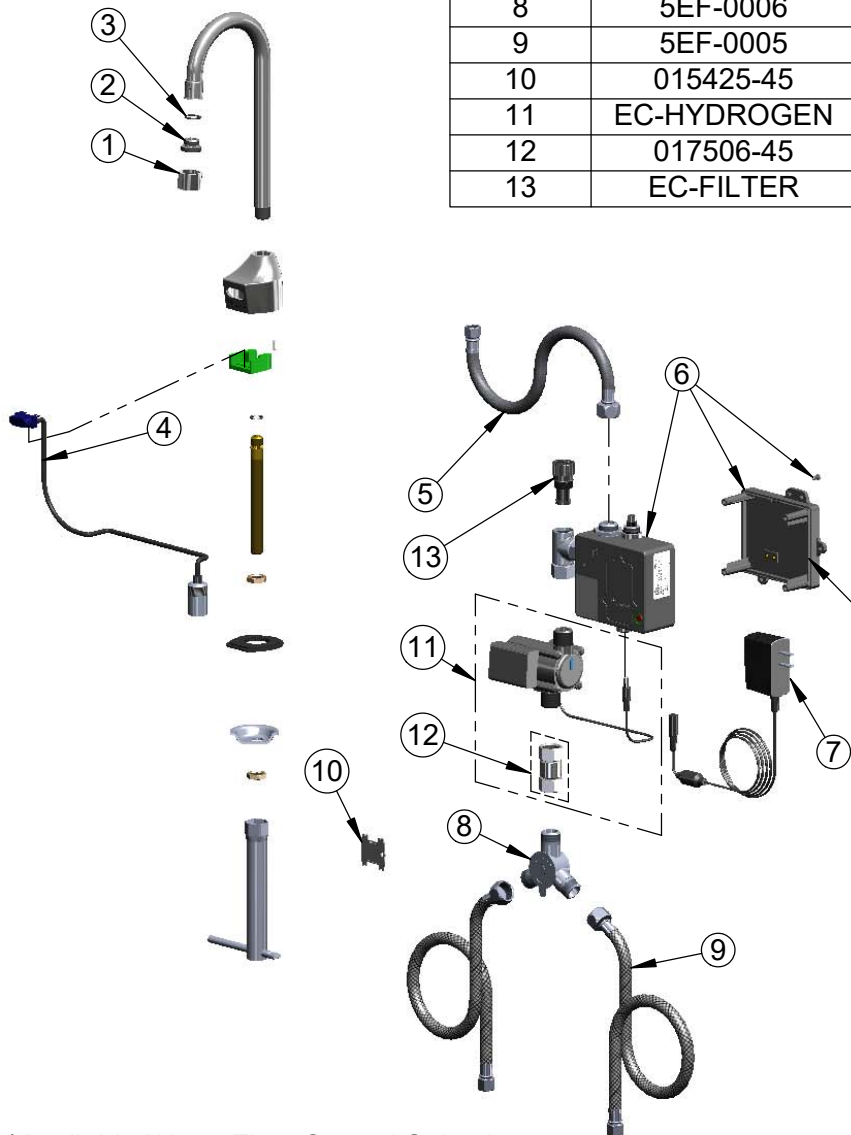
Model No.

EC-3100-HG

Item No.

Travelers Rest, SC: 800-476-4103 • Simi Valley, CA: 800-423-0150 • Fax: 864-834-3518 • www.tsbrass.com

| ITEM NO. | SALES NO. | DESCRIPTION |
|----------|-------------|---|
| 1 | B-0199-06 | VR 2.2 GPM Aerator, 55/64-27 Female |
| 2 | 044A | 3/8" to Aerator Adapter |
| 3 | 006575-45 | O-Ring |
| 4 | 017195-45 | Angled Sensor w/ Cable |
| 5 | 016297-45 | Inlet Hose, Faucet, 1/2" NPSM-F x 1/4" NPSM-F |
| 6 | 016647-45 | ChekPoint Module (Grey) |
| 7 | 5EF-0002 | Plug-in AC Transformer |
| 8 | 5EF-0006 | Mechanical Mixing Valve |
| 9 | 5EF-0005 | Supply Hose, 9/16-24 Female x 1/2" NPSM |
| 10 | 015425-45 | Vandal Resistant Key |
| 11 | EC-HYDROGEN | Hydro-Generator and Swivel Coupling |
| 12 | 017506-45 | 1/2 NPSM Swivel Coupling |
| 13 | EC-FILTER | Replacement Filter |



Label for Flow Control Switch Settings is Located on Inside of Back Cover.

Flow Control Switches are Located Inside Module Housing in Black Box Next to Battery Compartment.

*Switches are Set to DEFAULT Position:

- Auto Time Out = 15 Seconds
- Shut Off Delay = 1 Second
- Auto Flush = OFF

Remove (4) Screws and Back Cover to Access Switches.

***Available Water Flow Control Selections:**

- Auto Time Out: 15 sec, 30 sec, 45 sec, 60 sec, 3 min, 20 min
- Shut Off Delay: 1 sec, 10 sec, 15 sec, 30 sec
- Auto Flush (30 Seconds After Every 12 Inactive Hours): ON or OFF

Product Specifications:

Chrome Plated Brass Electronic Faucet: Deck Mount Rigid Gooseneck w/ VR Aerator, AC/DC Control Module w/ Internal Flow Cont. Setting Switches, Temperature Control Mixing Valve w/ Check Valves, Hydro-Generator, 18" Hot & Cold Supply Stop Flexible Connector Hoses

Product Compliance:

ASME A112.18.1 / CSA B125.1
NSF 61 - Section 9
NSF 372 (Low Lead Content)
ANSI A117.1 (ADA)
UL 1951