



**T&S BRASS AND BRONZE WORKS, INC.**  
 2 Saddleback Cove / P.O. Box 1088  
 Travelers Rest, SC 29690

Model No.

**EB-0107-J**

Item No.

Travelers Rest, SC: 800-476-4103 • Simi Valley, CA: 800-423-0150 • Fax: 864-834-3518 • www.tsbrass.com

This Space for Architect/Engineer Approval

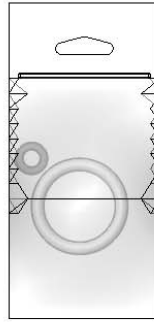
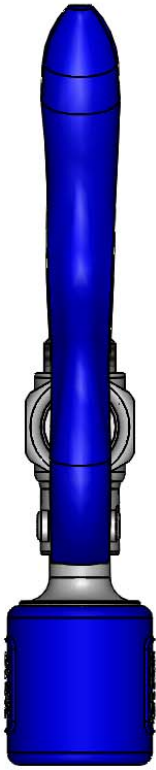
Job Name \_\_\_\_\_ Date \_\_\_\_\_

Model Specified \_\_\_\_\_ Quantity \_\_\_\_\_

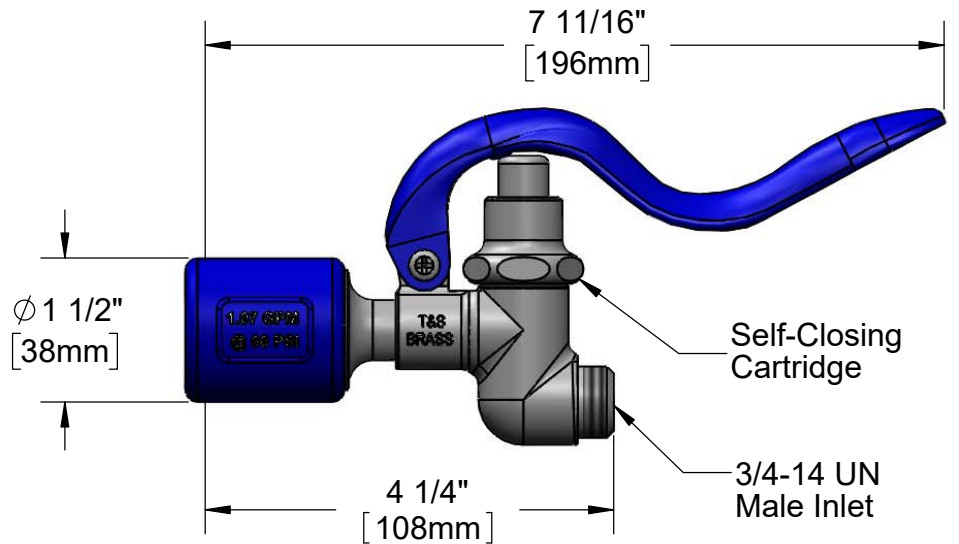
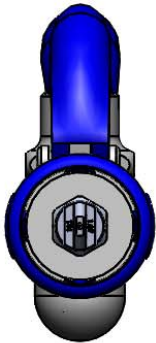
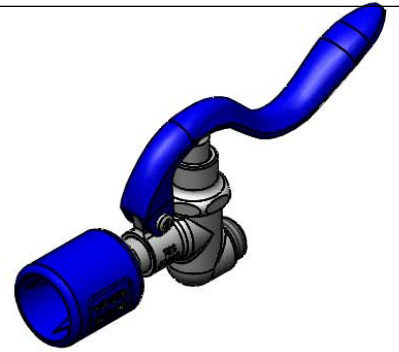
Customer/Wholesaler \_\_\_\_\_

Contractor \_\_\_\_\_

Architect/Engineer \_\_\_\_\_



Hose Washer &  
Hold Down Ring  
(Included)



Flow Rate: 1.07 GPM (4.1 Lpm) @ 60 psi  
 Spray Force: 7.2 Ozf (204 Gramf) @ 60 psi

Product Specifications:  
 Blue Self-Closing Pre-Rinse Spray Valve, 1.07 GPM Spray Nozzle

Product Compliance:  
 ASME A112.18.1 / CSA B125.1  
 NSF 61 - Section 9  
 NSF 372 (Low Lead Content)  
 2019 DOE PRSV - Class II



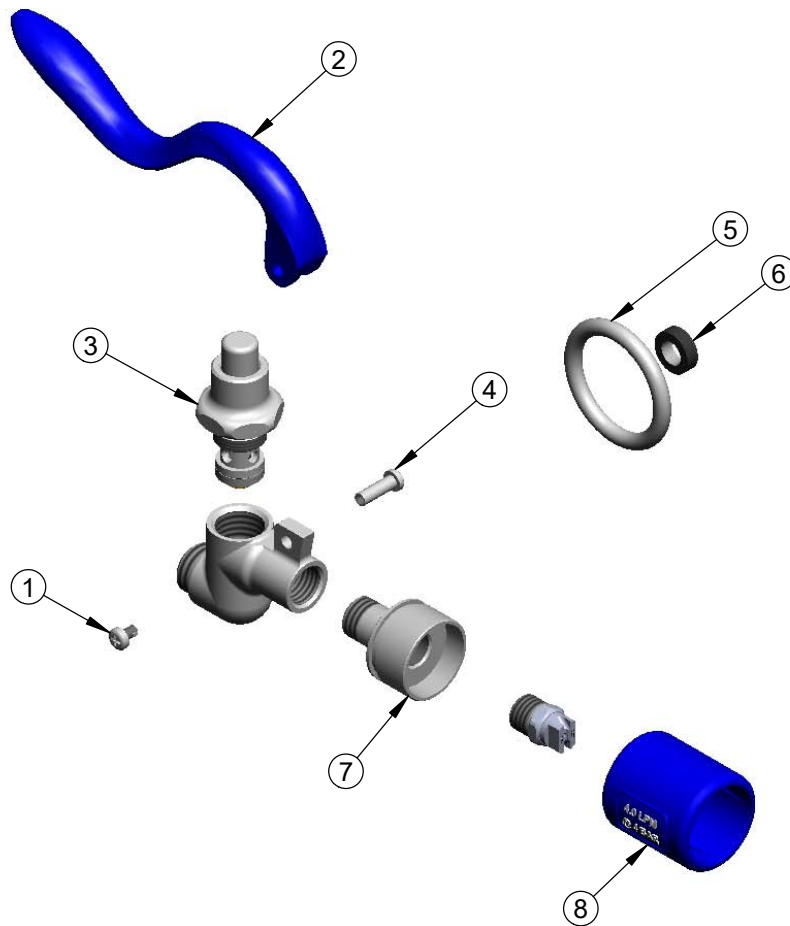
**T&S BRASS AND BRONZE WORKS, INC.**  
 2 Saddleback Cove / P.O. Box 1088  
 Travelers Rest, SC 29690

Model No.  
**EB-0107-J**

Item No.

Travelers Rest, SC: 800-476-4103 • Simi Valley, CA: 800-423-0150 • Fax: 864-834-3518 • www.tsbrass.com

ITEM NO.	SALES NO.	DESCRIPTION
1	003199-45	Spray Valve Handle Screw
2	011454-45	Spray Valve Handle - Blue
3	0010594-40	B-107 Bonnet
4	003198-45	Spray Valve Handle Nut
5	000907-45	Spray Valve Hold Down Ring
6	010476-45	#27 Washer
7	003128-25NS	Short Low-Flow PRSV Nozzle
8	018293-45NS	Short Blue Shield Low Flow 1.07 GPM



Product Specifications:  
 Blue Self-Closing Pre-Rinse Spray Valve, 1.07 GPM Spray Nozzle

Product Compliance:  
 ASME A112.18.1 / CSA B125.1  
 NSF 61 - Section 9  
 NSF 372 (Low Lead Content)  
 2019 DOE PRSV - Class II