



T&S BRASS AND BRONZE WORKS, INC.

2 Saddleback Cove / P.O. Box 1088
Travelers Rest, SC 29690

Model No.

BL-6000-03

Item No.

Travelers Rest, SC: 800-476-4103 • Simi Valley, CA: 800-423-0150 • Fax: 864-834-3518 • www.tsbrass.com

This Space for Architect/Engineer Approval

Job Name _____ Date _____

Model Specified _____ Quantity _____

Customer/Wholesaler _____

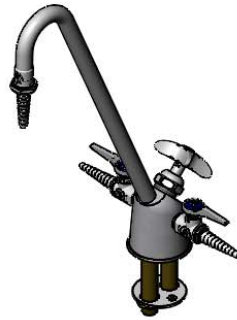
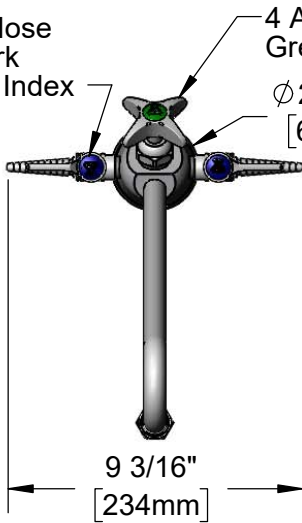
Contractor _____

Architect/Engineer _____

Ball Valve Hose
Cock w/ Dark
Blue "GAS" Index

4 Arm Handle w/
Green "CW" Index

Ø 2 11/16"
[69mm]

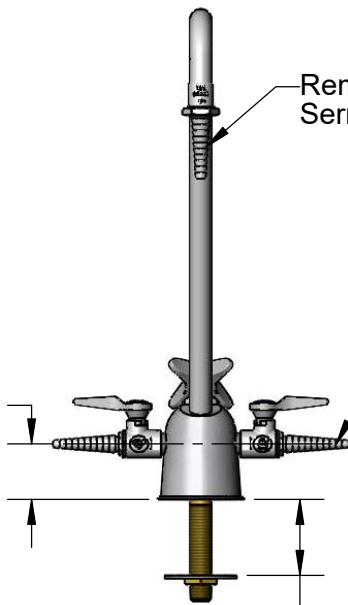


ADA Compliant

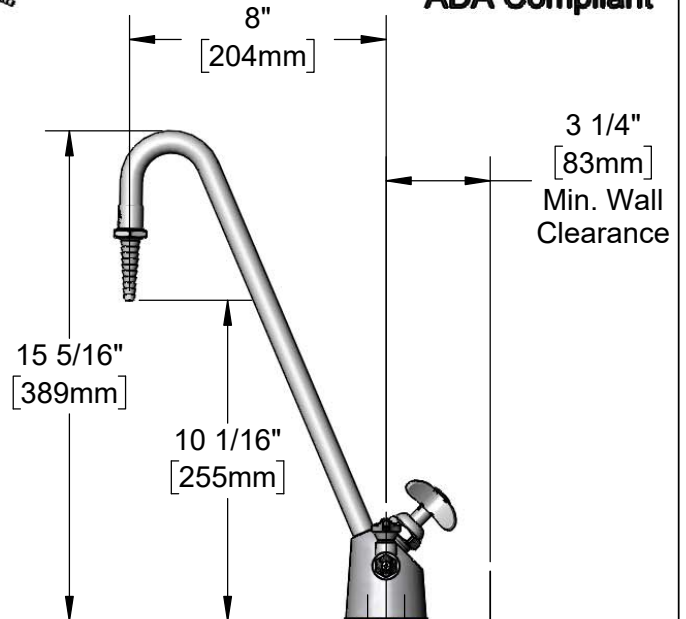
Removable
Serrated Tip

1 3/4"
[44mm]

Serrated
Tips Accept
1/4" to 3/8"
ID Hoses



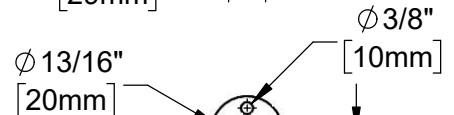
2 3/8"
[60mm]
Max Thickness



3/8" NPT
Cold Water Inlet

3/8" NPT
Gas Inlet

1 3/16"
[29mm]



Mounting Washer / Rough-In Detail

Notes:

1. Natural Gas Pressure: 0.5 PSIG Max.
(For Natural Gas above 0.5 PSIG or
Oxygen and Specialty Gases, use
BL-4010-01 Gas Cock.)

Product Specifications:

Combination Gas & Water Fixture w/ (2) Ball Valve Gas Cocks,
8" Rigid Gooseneck w/ Serrated Tip & 3/8" NPT Male Inlets

Product Compliance:

ASME A112.18.1 / CSA B125.1
NSF 61 - Section 9
NSF 372 (Low Lead Content)
ANSI Z21.15a / CSA 9.1a (Gas Valves)
ANSI A117.1 (ADA)



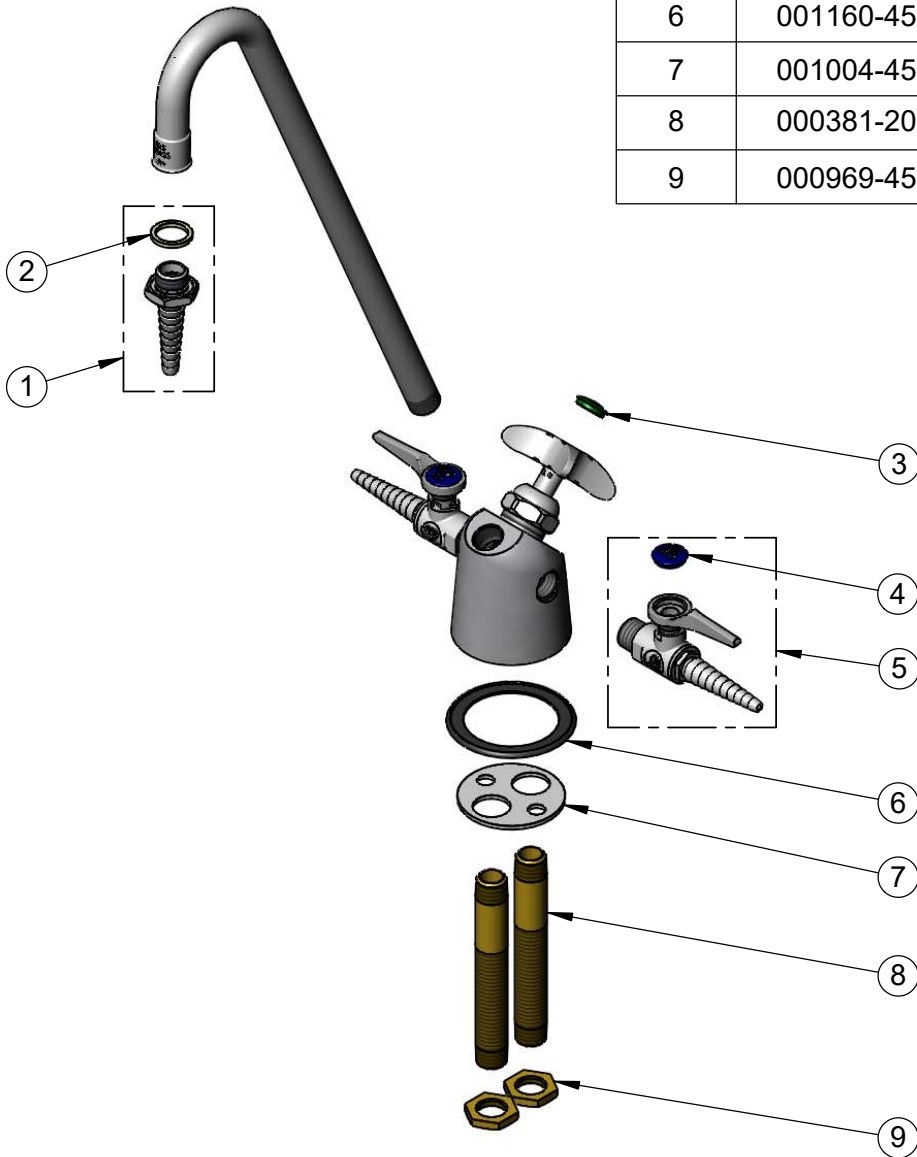
T&S BRASS AND BRONZE WORKS, INC.
 2 Saddleback Cove / P.O. Box 1088
 Travelers Rest, SC 29690

Model No.
BL-6000-03

Item No.

Travelers Rest, SC: 800-476-4103 • Simi Valley, CA: 800-423-0150 • Fax: 864-834-3518 • www.tsbrass.com

ITEM NO.	SALES NO.	DESCRIPTION
1	B-0198	Serrated Tip & Washer
2	001051-45	Washer, Serrated Tip
3	001191-45NS	Green "CW" Lab Button Index
4	209L-GAS-NS	Dark Blue "GAS" Lab Button Index
5	BL-4000-01	Ball Valve Hose Cock w/ GAS, AIR & VAC Indexes
6	001160-45	Gasket, BL-6000
7	001004-45	Washer, Turret BL-6000, Brass
8	000381-20	Nipple, Supply, 3/8" Pipe, Brass
9	000969-45	Nut, Lock, 3/8" NPSL, Brass



Product Specifications:
 Combination Gas & Water Fixture w/ (2) Ball Valve Gas Cocks,
 8" Rigid Gooseneck w/ Serrated Tip & 3/8" NPT Male Inlets

Product Compliance:
 ASME A112.18.1 / CSA B125.1
 NSF 61 - Section 9
 NSF 372 (Low Lead Content)
 ANSI Z21.15a / CSA 9.1a (Gas Valves)
 ANSI A117.1 (ADA)

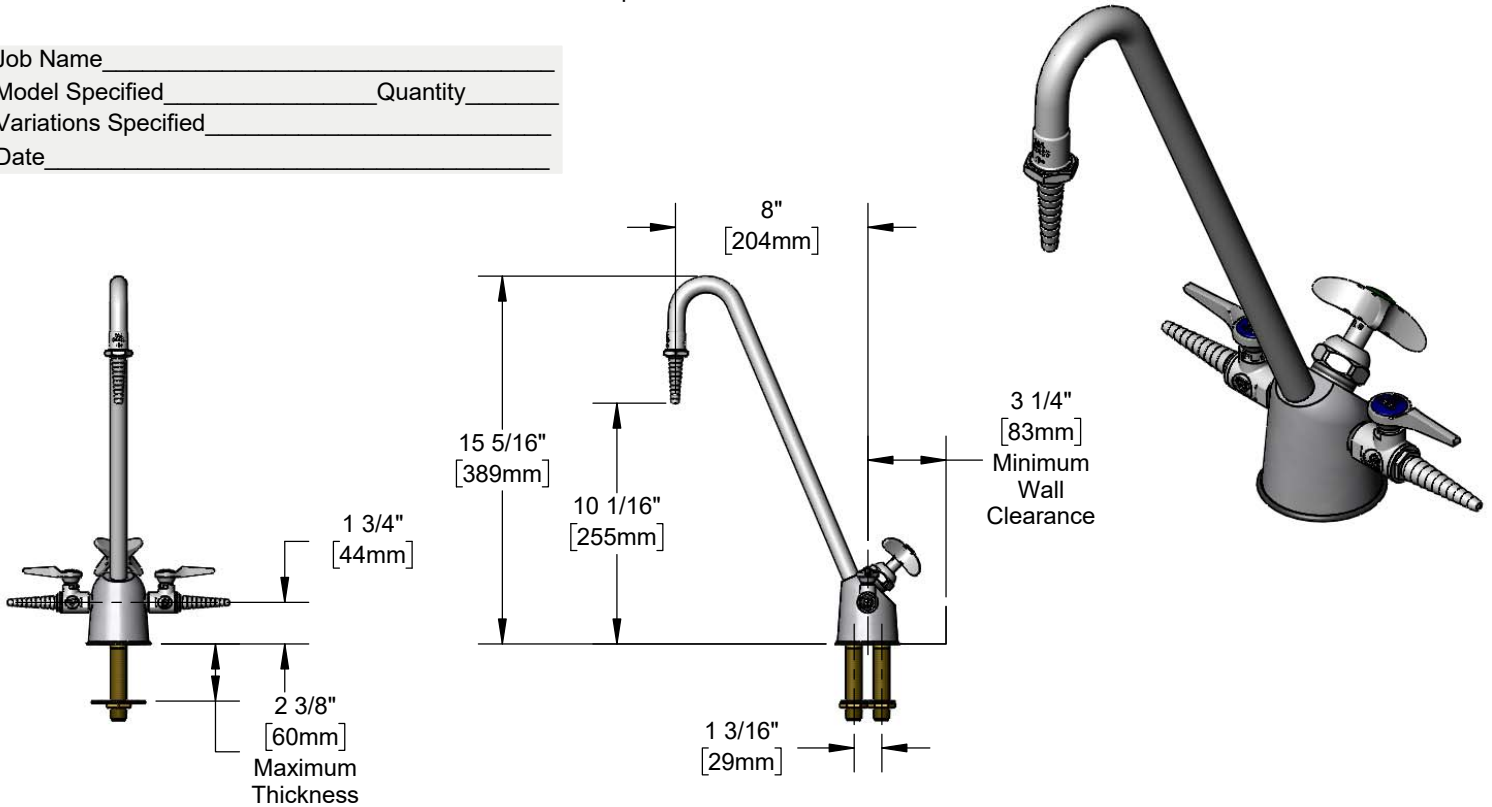


Combination Gas and Water Faucet

Architect/Engineering Specifications:

Combination gas and water laboratory turret with polished chrome plated brass body, 8" rigid gooseneck with serrated tip outlet, hose cocks, 4-arm handle and 3/8" NPT male gas and water inlets. Certified to ASME A112.18.1 / CSA B125.1, NSF 61 - Section 9, NSF-372 and ANSI Z21.15a / CSA 9.1a. Meets ADA ANSI/ICC A117.1 requirements.

Job Name _____
 Model Specified _____ Quantity _____
 Variations Specified _____
 Date _____



Features & Benefits:

- Combination gas and water laboratory turret w/ polished chrome plated brass body
- 8" rigid gooseneck w/ serrated tip outlet
- (2) hose cocks
- 4-arm handle w/ color coded index
- 3/8" NPT male gas and water inlets
- Material: Polished chrome plated brass body & tubular spout, polished chrome metal handles

Product Compliance:

- ASME A112.18.1 / CSA B125.1
- NSF 61 - Section 9
- NSF 372 (Low Lead Content)
- ANSI Z21.15a / CSA 9.1a (Gas Valves)
- ANSI A117.1 (ADA)

Warranty: One Year (Limited)

Performance Data:

- Pressure:
 - Water: 20 - 125 psi
 - Gas: 0.5 psi max
- Temperature:
 - Water: 40°F - 140°F
 - Gas: 32°F - 125°F
- Flow Rate:
 - Water: 5.03 GPM @ 60 psi



ADA Compliant

