



T&S BRASS AND BRONZE WORKS, INC.

2 Saddleback Cove / P.O. Box 1088
Travelers Rest, SC 29690

Model No.

BL-6000-02

Item No.

Travelers Rest, SC: 800-476-4103 • Simi Valley, CA: 800-423-0150 • Fax: 864-834-3518 • www.tsbrass.com

This Space for Architect/Engineer Approval

Job Name _____ Date _____

Model Specified _____ Quantity _____

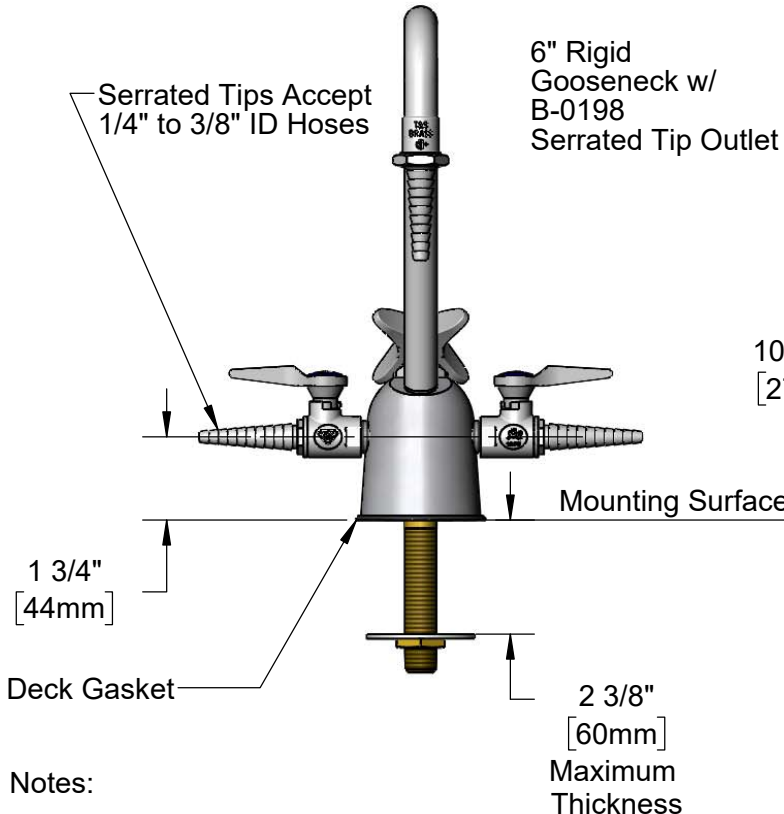
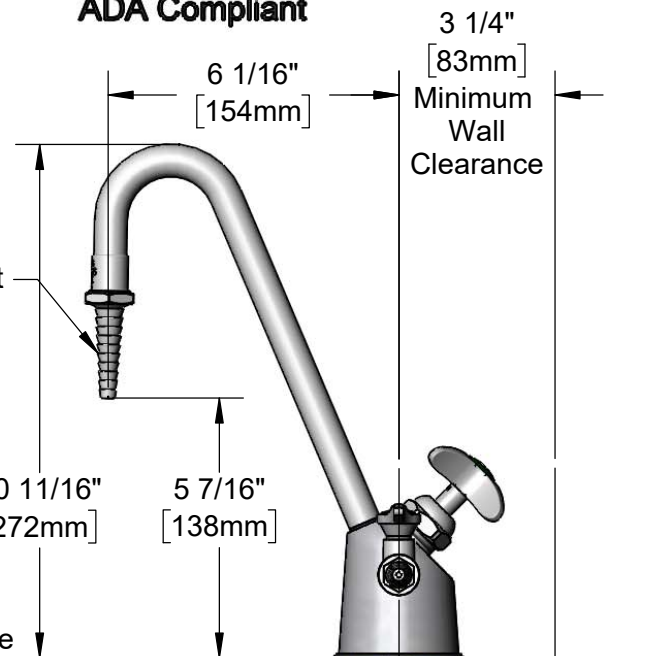
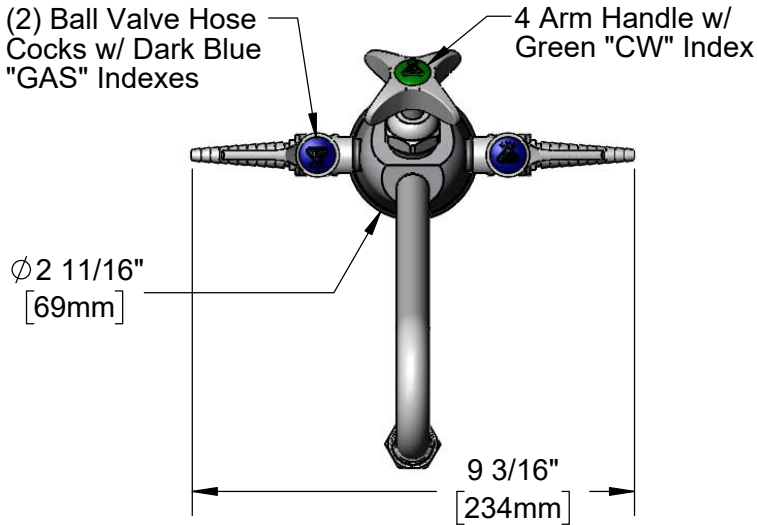
Customer/Wholesaler _____

Contractor _____

Architect/Engineer _____

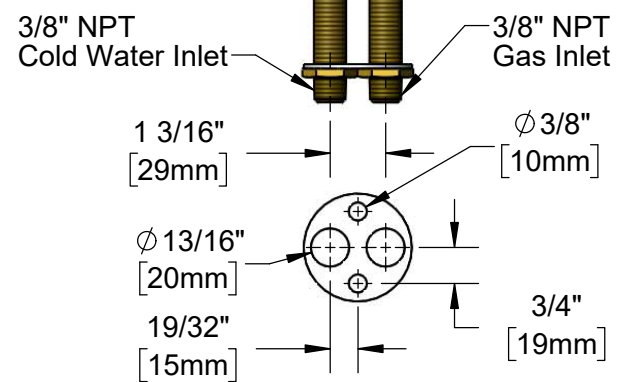


ADA Compliant



Notes:

1. Natural Gas Pressure: 0.5 PSIG Max. (For Natural Gas above 0.5 PSIG or Oxygen and Specialty Gases, use BL-4010-01 Gas Cock.)
2. Temperature Range: 32°F - 125°F



Mounting Washer / Rough-In Detail

Product Specifications:
Combination Gas & Water Fixture w/ (2) Ball Valve Gas Cocks, 6" Rigid Gooseneck, Serrated Tip & 3/8" NPT Male Inlets

Product Compliance:
ASME A112.18.1 / CSA B125.1
NSF 61 - Section 9
NSF 372 (Low Lead Content)
ANSI Z21.15a / CSA 9.1a (Gas Valves)
ANSI A117.1 (ADA)



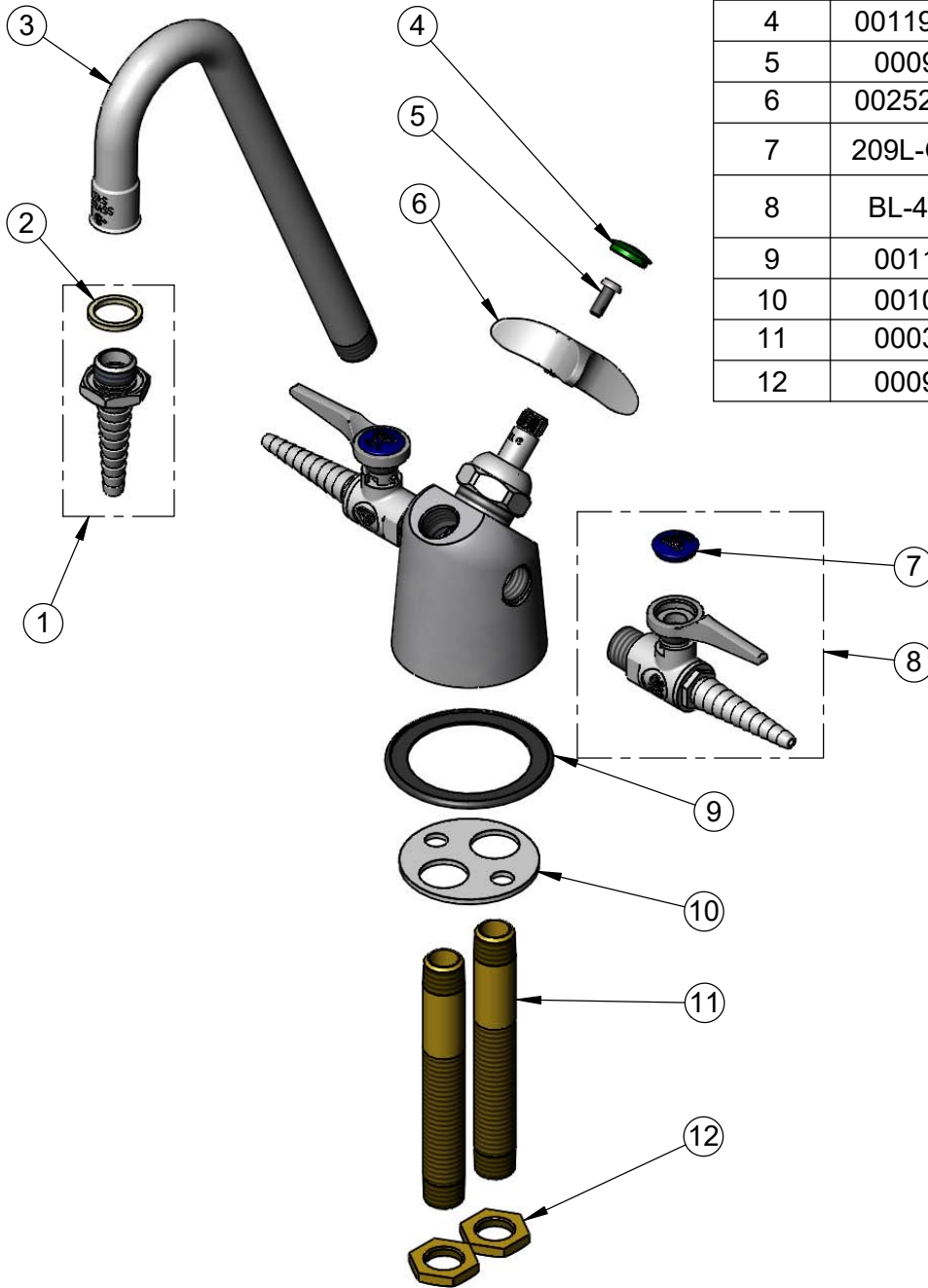
T&S BRASS AND BRONZE WORKS, INC.
 2 Saddleback Cove / P.O. Box 1088
 Travelers Rest, SC 29690

Model No.
BL-6000-02

Item No.

Travelers Rest, SC: 800-476-4103 • Simi Valley, CA: 800-423-0150 • Fax: 864-834-3518 • www.tsbrass.com

ITEM NO.	SALES NO.	DESCRIPTION
1	B-0198	Serrated Tip w/ Washer
2	001051-45	Washer
3	000393-40	3/8" NPT Rigid Gooseneck
4	001191-45NS	Green "CW" Lab Button Index
5	000925-45	Lab Handle Screw
6	002521-45NS	4-Arm Handle (New Style)
7	209L-GAS-NS	Dark Blue "GAS" Lab Button Index
8	BL-4000-01	Ball Valve Hose Cock w/ GAS, AIR & Indexes
9	001160-45	Gasket, BL-6000
10	001004-45	Turret Brass Washer, BL-6000
11	000381-20	3/8" NPT Brass Supply Nipple
12	000969-45	3/8" NPSL Brass Lock Nut



Product Specifications:
 Combination Gas & Water Fixture w/ (2) Ball Valve Gas Cocks,
 6" Rigid Gooseneck, Serrated Tip & 3/8" NPT Male Inlets

Product Compliance:
 ASME A112.18.1 / CSA B125.1
 NSF 61 - Section 9
 NSF 372 (Low Lead Content)
 ANSI Z21.15a / CSA 9.1a (Gas Valves)
 ANSI A117.1 (ADA)