



# T&S BRASS AND BRONZE WORKS, INC.

2 Saddleback Cove / P.O. Box 1088  
Travelers Rest, SC 29690

Model No.

**BL-5850-01TL-CW**

Item No.

Travelers Rest, SC: 800-476-4103 • Simi Valley, CA: 800-423-0150 • Fax: 864-834-3518 • www.tsbrass.com

This Space for Architect/Engineer Approval

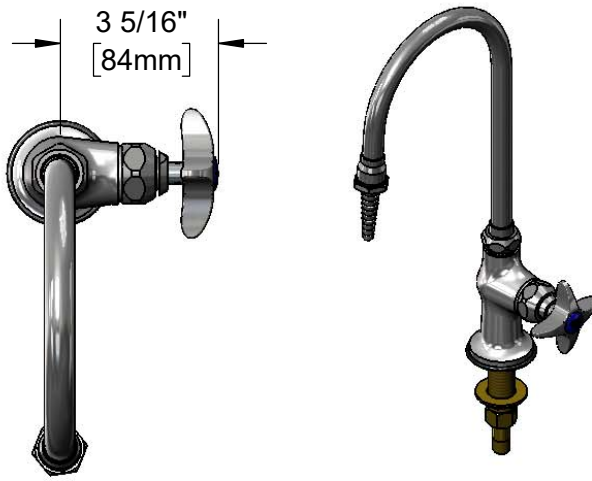
Job Name \_\_\_\_\_ Date \_\_\_\_\_

Model Specified \_\_\_\_\_ Quantity \_\_\_\_\_

Customer/Wholesaler \_\_\_\_\_

Contractor \_\_\_\_\_

Architect/Engineer \_\_\_\_\_



3 5/16"  
[84mm]

Swivel Gooseneck w/  
B-0198  
Serrated Tip Outlet.  
Converts to Rigid w/  
014200-45 Lock  
Washer (Included)

Quarter-Turn Eterna  
Cartridge w/ Spring  
Check & 4-Arm Handle  
w/ Color Coded Index

14 3/16"  
[360mm]

5 7/8"  
[150mm]

7 1/4"  
[184mm]

Ø 2 3/16"  
[56mm]  
Deck Gasket

Mounting  
Surface

2 7/16"  
[61mm]

Ø 2" [51mm]  
Flange w/  
Black Plastic Deck  
Gasket & 1/2" NPSM  
Male Inlet

Optional Tailpiece  
& Nut for 1/4" NPT  
Connection (Included)

1 1/2"  
[38mm]  
Maximum  
Thickness

Rough-In Requirement:  
Ø 1" [25mm] Mounting Hole

### Product Specifications:

Single Hole Single Temperature Tin-Lined Laboratory Faucet, Quarter-Turn Eterna Cartridge w/ Spring Check, 4-Arm Handle, Swivel/Rigid Gooseneck, Serrated Tip Outlet & 1/2" NPSM Male Inlet

### Product Compliance:

ASME A112.18.1 / CSA B125.1  
NSF 372 (Low Lead Content)



# T&S BRASS AND BRONZE WORKS, INC.

2 Saddleback Cove / P.O. Box 1088  
Travelers Rest, SC 29690

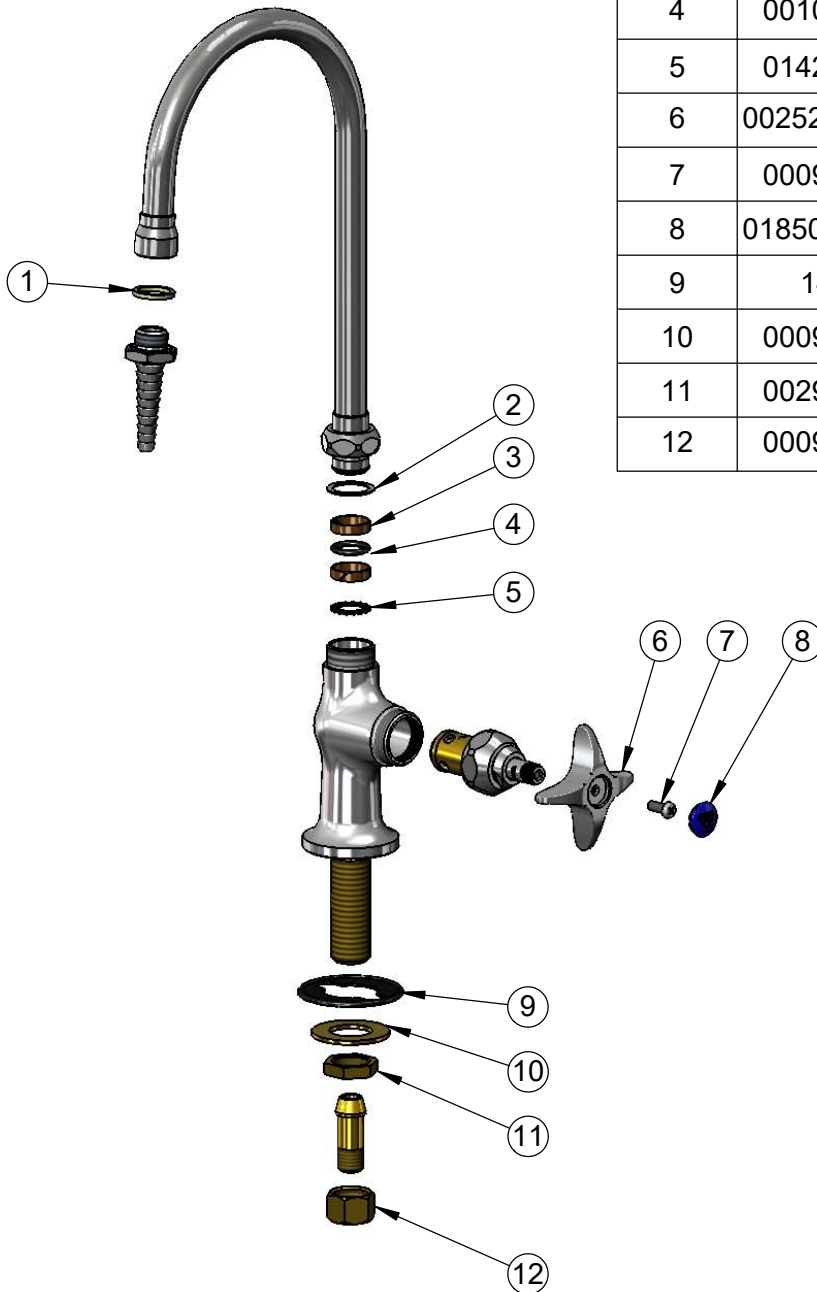
Model No.

**BL-5850-01TL-CW**

Item No.

Travelers Rest, SC: 800-476-4103 • Simi Valley, CA: 800-423-0150 • Fax: 864-834-3518 • www.tsbrass.com

ITEM NO.	SALES NO.	DESCRIPTION
1	001051-45	Washer
2	009538-45	Swivel Washer
3	011429-45	Swivel Sleeves (2)
4	001074-45	O-Ring
5	014200-45	Star Washer, Anti-Rotation
6	002521-45NS	4-Arm Handle (New Style)
7	000925-45	Lab Handle Screw
8	018506-19NS	Blue Button Index, Press-in
9	144L	Black Plastic Gasket
10	000999-45	Brass Lock Washer
11	002954-45	Shank Lock Nut
12	000958-20	Coupling Nut



**Product Specifications:**

Single Hole Single Temperature Tin-Lined Laboratory Faucet, Quarter-Turn Eterna Cartridge w/ Spring Check, 4-Arm Handle, Swivel/Rigid Gooseneck, Serrated Tip Outlet & 1/2" NPSM Male Inlet

**Product Compliance:**

ASME A112.18.1 / CSA B125.1  
NSF 372 (Low Lead Content)