



T&S BRASS AND BRONZE WORKS, INC.

2 Saddleback Cove / P.O. Box 1088
Travelers Rest, SC 29690

Model No.

BL-5735-09

Item No.

Travelers Rest, SC: 800-476-4103 • Simi Valley, CA: 800-423-0150 • Fax: 864-834-3518 • www.tsbrass.com

This Space for Architect/Engineer Approval

Job Name _____ Date _____

Model Specified _____ Quantity _____

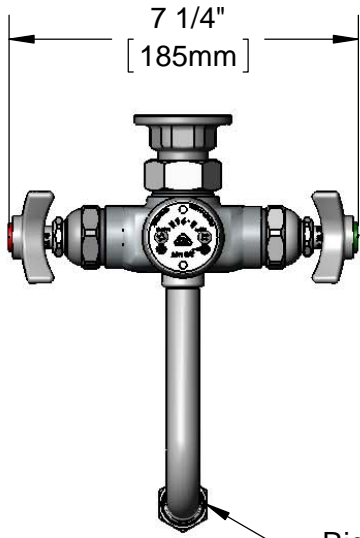
Customer/Wholesaler _____

Contractor _____

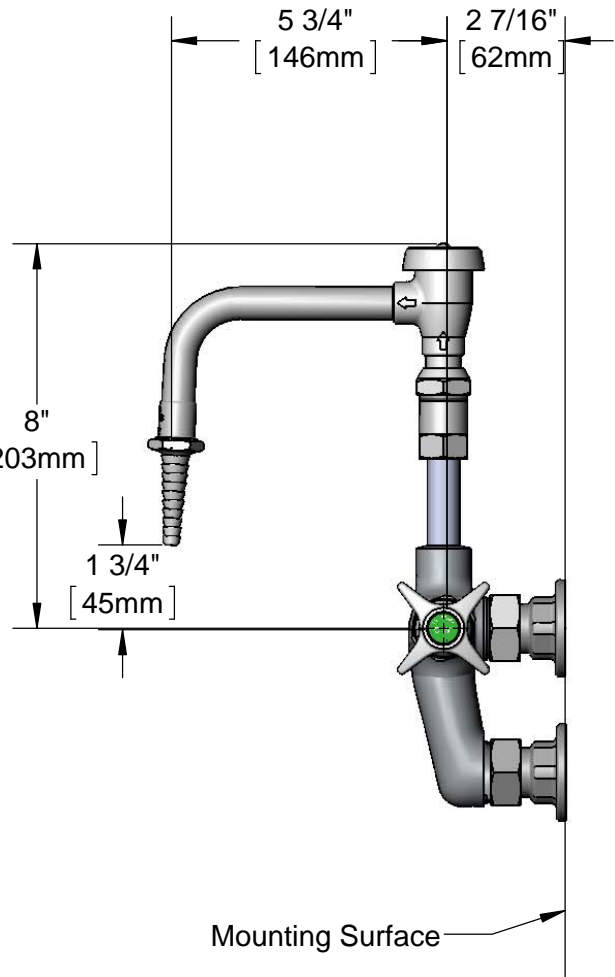
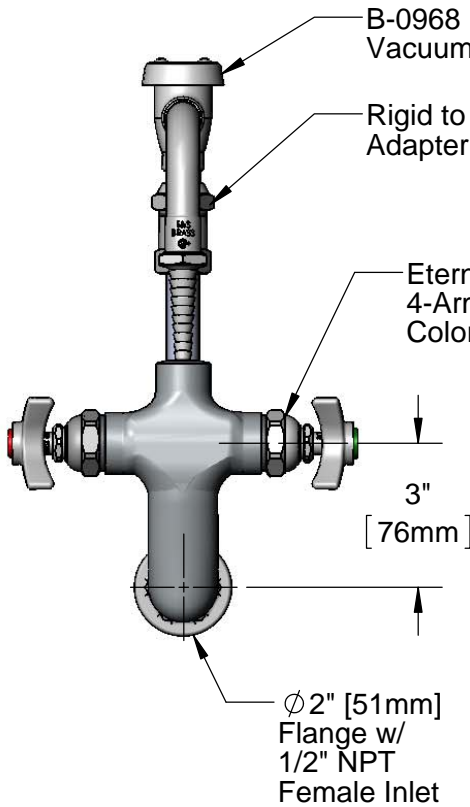
Architect/Engineer _____



ADA Compliant



Rigid Gooseneck
w/ B-0198
Serrated Tip & Washer



Product Specifications:

Wall Mount Mixing Faucet, Eterna Cartridges, Rigid Gooseneck w/ Serrated Tip, Rigid to Swivel Adapter, Vacuum Breaker, 4-Arm Lab Handles and 1/2" NPT Female Adjustable Inlets

Product Compliance:

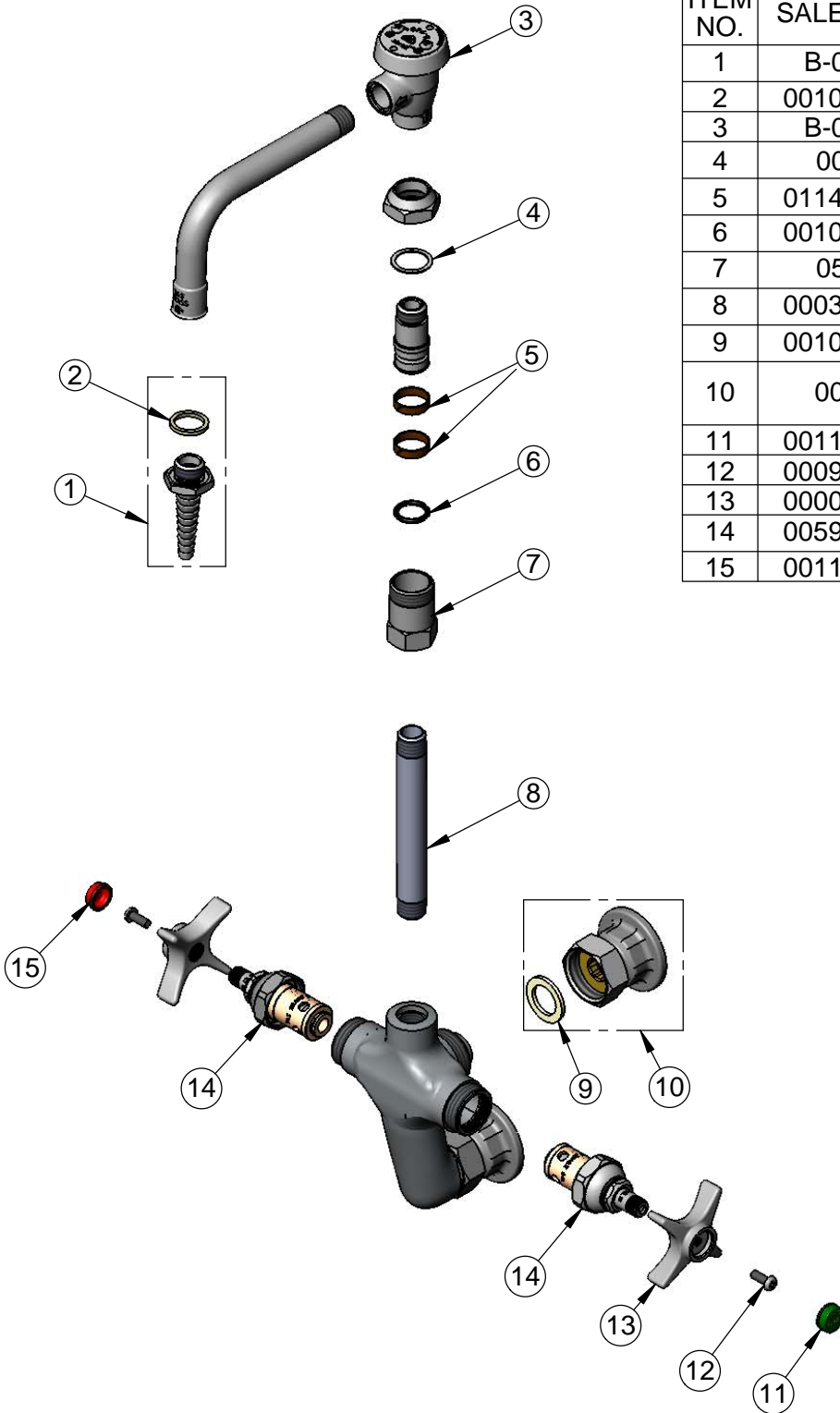
ASME A112.18.1 / CSA B125.1
NSF 61 - Section 9
NSF 372 (Low Lead Content)
ANSI A117.1 (ADA)
ASSE 1001 (VB)



T&S BRASS AND BRONZE WORKS, INC.
 2 Saddleback Cove / P.O. Box 1088
 Travelers Rest, SC 29690

Model No.
BL-5735-09
 Item No.

Travelers Rest, SC: 800-476-4103 • Simi Valley, CA: 800-423-0150 • Fax: 864-834-3518 • www.tsbrass.com



ITEM NO.	SALES NO.	DESCRIPTION
1	B-0198	Serrated Tip w/ Washer
2	001051-45	Washer
3	B-0968	
4	009E	Plastic Washer
5	011429-45	Swivel Sleeves (2)
6	001074-45	O-Ring
7	054X	Swivel Body
8	000361-40	Nipple, 3/8" NPT x 5"
9	001019-45	Coupling Nut Washer
10	00AA	1/2" NPT Female Eccentric Flange
11	001191-45	Green Index - CW
12	000925-45	Lab Handle Screw
13	000059-40	4-Arm Lab Handle
14	005960-40	Eterna Cartridge, RTC
15	001194-45	Red Index - HW

Product Specifications:

Wall Mount Mixing Faucet, Eterna Cartridges, Rigid Gooseneck w/ Serrated Tip, Rigid to Swivel Adapter, Vacuum Breaker, 4-Arm Lab Handles and 1/2" NPT Female Adjustable Inlets

Product Compliance:

ASME A112.18.1 / CSA B125.1
 NSF 61 - Section 9
 NSF 372 (Low Lead Content)
 ANSI A117.1 (ADA)
 ASSE 1001 (VB)