



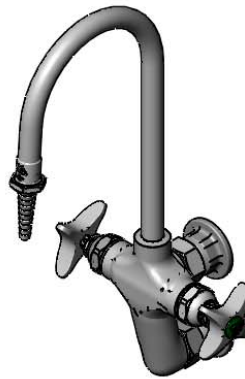
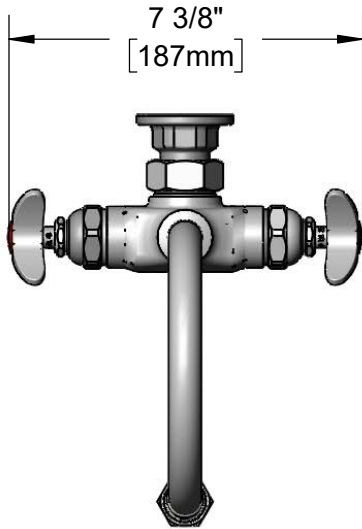
**T&S BRASS AND BRONZE WORKS, INC.**  
 2 Saddleback Cove / P.O. Box 1088  
 Travelers Rest, SC 29690

Model No.

**BL-5735-01**

Item No.

Travelers Rest, SC: 800-476-4103 • Simi Valley, CA: 800-423-0150 • Fax: 864-834-3518 • www.tsbrass.com



This Space for Architect/Engineer Approval

Job Name \_\_\_\_\_ Date \_\_\_\_\_

Model Specified \_\_\_\_\_ Quantity \_\_\_\_\_

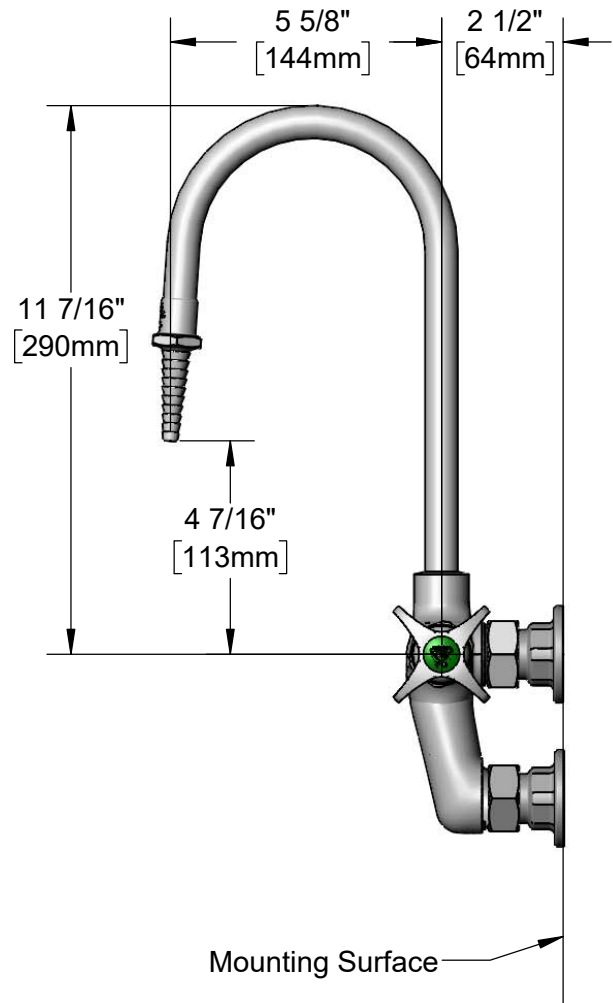
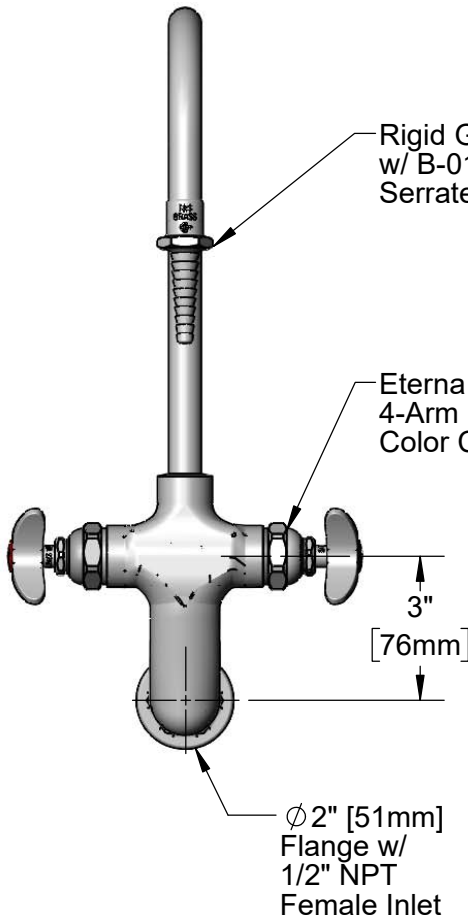
Customer/Wholesaler \_\_\_\_\_

Contractor \_\_\_\_\_

Architect/Engineer \_\_\_\_\_



**ADA Compliant**



**Product Specifications:**

Wall Mount Mixing Faucet, Eterna Cartridges, Rigid Gooseneck w/ Serrated Tip, 4-Arm Lab Handles and 1/2" NPT Female Adjustable Inlets

**Product Compliance:**

ASME A112.18.1 / CSA B125.1  
 NSF 61 - Section 9  
 NSF 372 (Low Lead Content)  
 ANSI A117.1 (ADA)



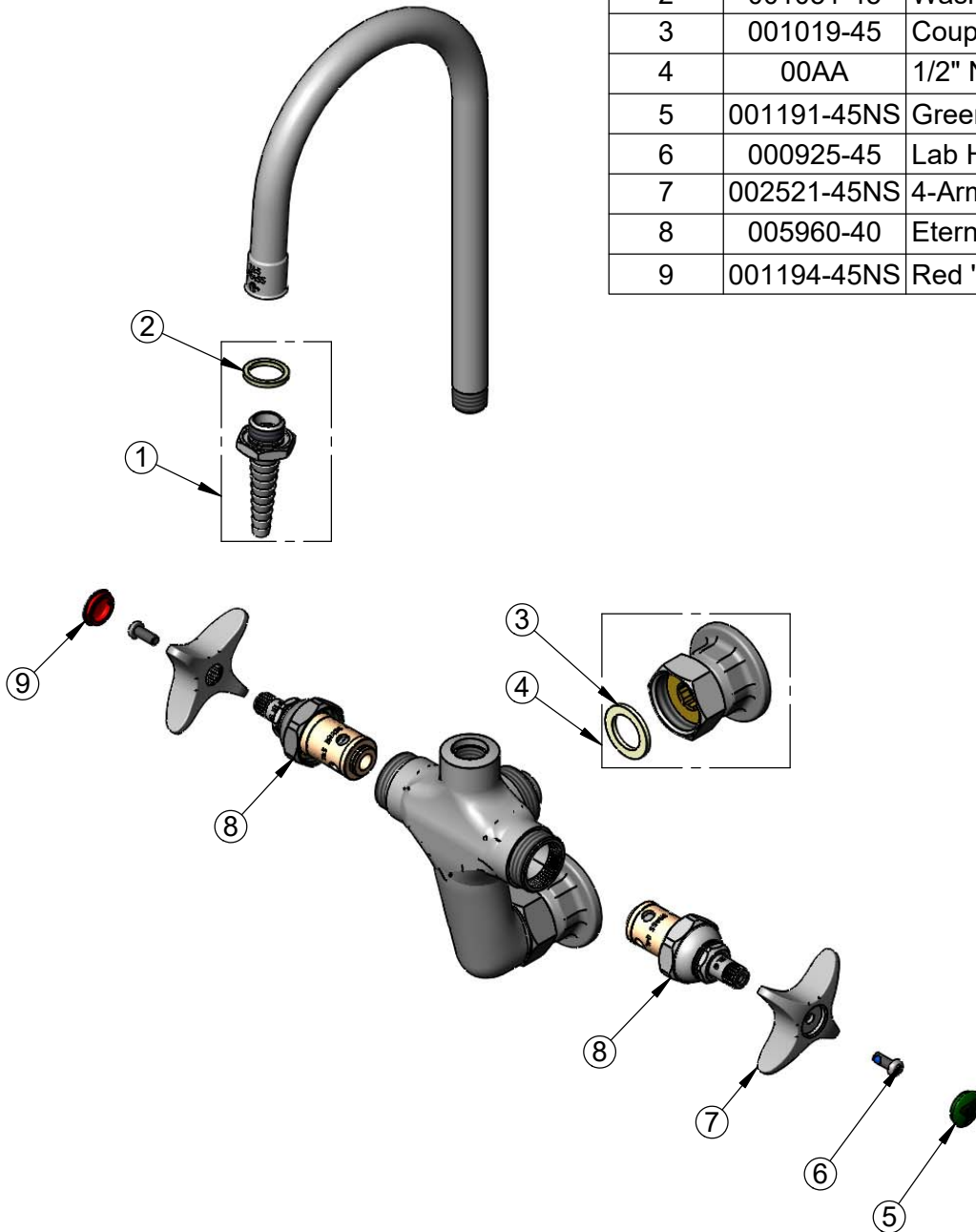
**T&S BRASS AND BRONZE WORKS, INC.**  
 2 Saddleback Cove / P.O. Box 1088  
 Travelers Rest, SC 29690

Model No.  
**BL-5735-01**

Item No.

Travelers Rest, SC: 800-476-4103 • Simi Valley, CA: 800-423-0150 • Fax: 864-834-3518 • www.tsbrass.com

ITEM NO.	SALES NO.	DESCRIPTION
1	B-0198	Serrated Tip w/ Washer
2	001051-45	Washer
3	001019-45	Coupling Nut Washer
4	00AA	1/2" NPT Female Eccetric Flange
5	001191-45NS	Green "CW" Lab Button Index
6	000925-45	Lab Handle Screw
7	002521-45NS	4-Arm Handle (New Style)
8	005960-40	Eterna Cartridge, RTC
9	001194-45NS	Red "HW" Lab Button Index



**Product Specifications:**

Wall Mount Mixing Faucet, Eterna Cartridges, Rigid Gooseneck w/ Serrated Tip, 4-Arm Lab Handles and 1/2" NPT Female Adjustable Inlets

**Product Compliance:**

ASME A112.18.1 / CSA B125.1  
 NSF 61 - Section 9  
 NSF 372 (Low Lead Content)  
 ANSI A117.1 (ADA)