



T&S BRASS AND BRONZE WORKS, INC.

2 Saddleback Cove / P.O. Box 1088
Travelers Rest, SC 29690

Model No.

BL-5725-02

Item No.

Travelers Rest, SC: 800-476-4103 • Simi Valley, CA: 800-423-0150 • Fax: 864-834-3518 • www.tsbrass.com



ADA Compliant

This Space for Architect/Engineer Approval

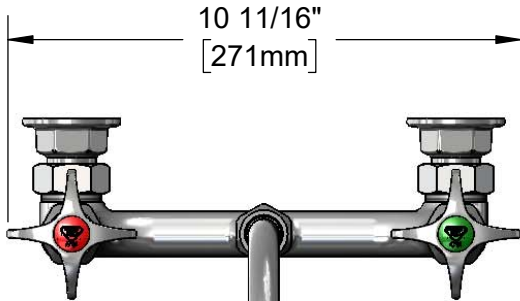
Job Name _____ Date _____

Model Specified _____ Quantity _____

Customer/Wholesaler _____

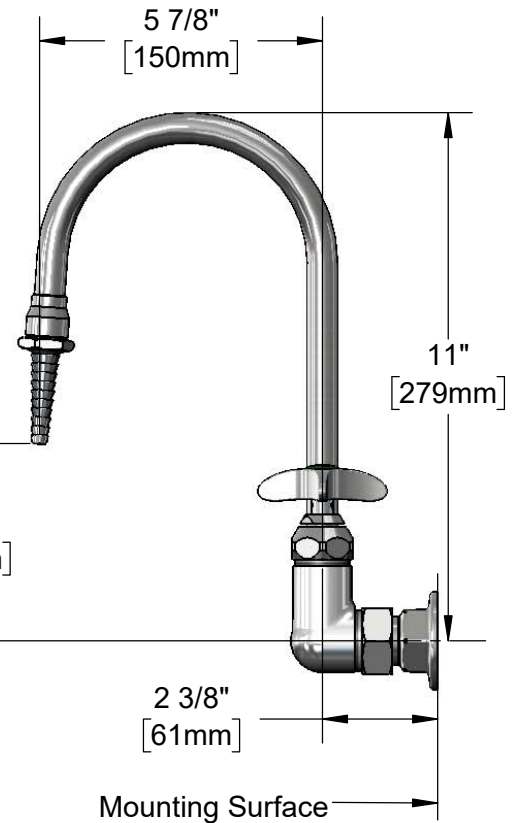
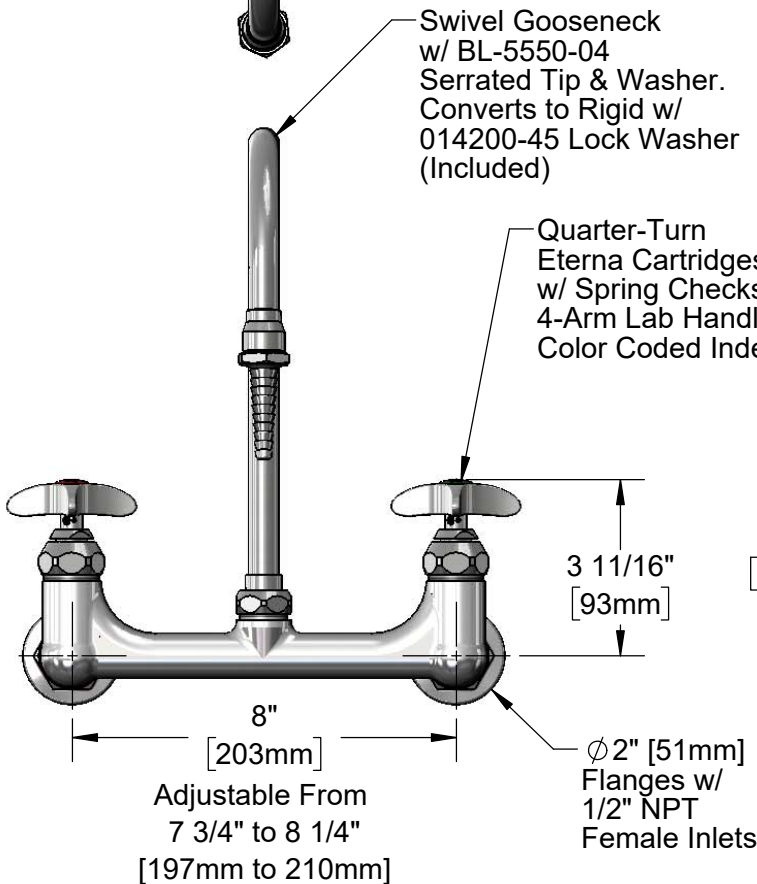
Contractor _____

Architect/Engineer _____



Swivel Gooseneck
w/ BL-5550-04
Serrated Tip & Washer.
Converts to Rigid w/
014200-45 Lock Washer
(Included)

Quarter-Turn
Eterna Cartridges
w/ Spring Checks &
4-Arm Lab Handles w/
Color Coded Indexes



Product Specifications:

8" Wall Mount Mixing Faucet, Quarter-Turn Eterna Cartridges w/ Spring Checks, 4-Arm Lab Handles, Swivel/Rigid Gooseneck, Serrated Tip Outlet & 1/2" NPT Female Inlets

Product Compliance:

ASME A112.18.1 / CSA B125.1
NSF 61 - Section 9
NSF 372 (Low Lead Content)
ANSI A117.1 (ADA)



T&S BRASS AND BRONZE WORKS, INC.
 2 Saddleback Cove / P.O. Box 1088
 Travelers Rest, SC 29690

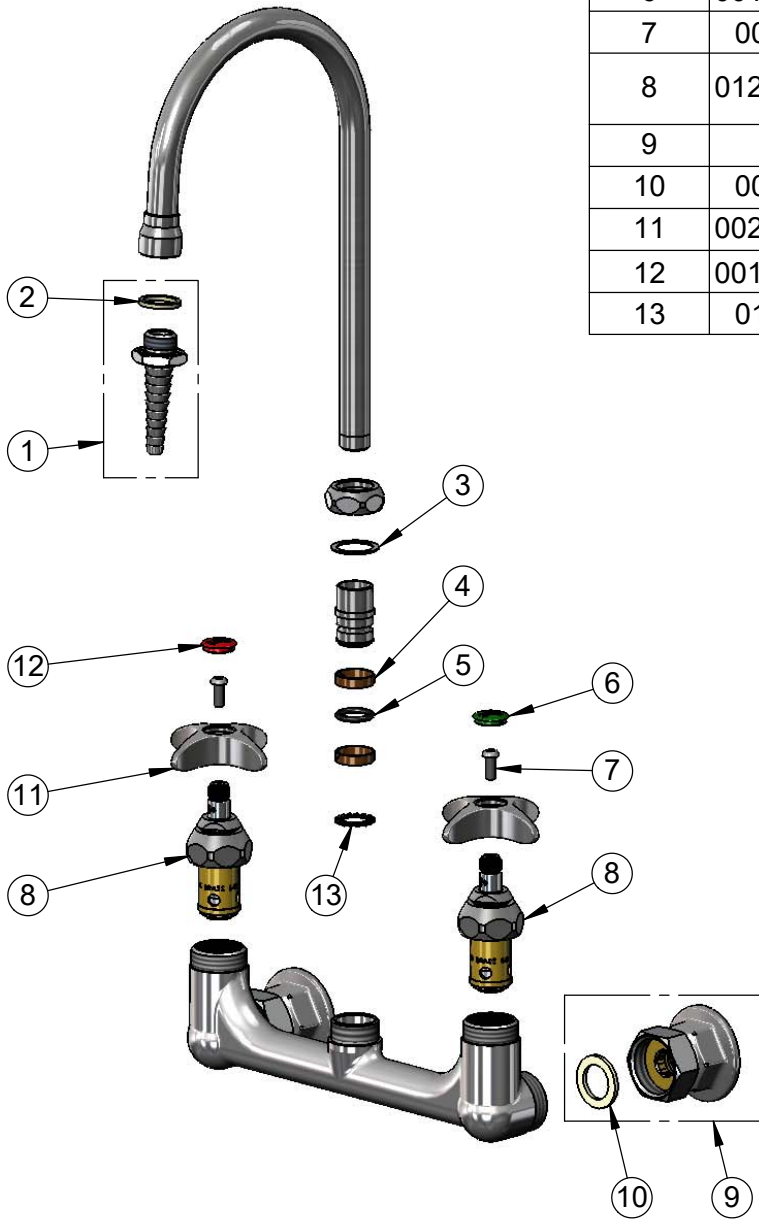
Model No.

BL-5725-02

Item No.

Travelers Rest, SC: 800-476-4103 • Simi Valley, CA: 800-423-0150 • Fax: 864-834-3518 • www.tsbrass.com

ITEM NO.	SALES NO.	DESCRIPTION
1	BL-5550-04	Serrated Tip
2	001051-45	Washer
3	009538-45	Swivel Washer
4	011429-45	Swivel Sleeves (2)
5	001074-45	O-Ring
6	001191-45NS	Green "CW" Lab Button Index
7	000925-45	Lab Handle Screw
8	012443-40NS	Quarter-Turn Eterna Cartridge, RTC w/ Spring Check
9	00AA	1/2" NPT Female Eccentric Flange
10	001019-45	Coupling Nut Washer
11	002521-45NS	4-Arm Handle (New Style)
12	001194-45NS	Red "HW" Lab Button Index
13	014200-45	Star Washer, Anti-Rotation



Product Specifications:

8" Wall Mount Mixing Faucet, Quarter-Turn Eterna Cartridges w/ Spring Checks, 4-Arm Lab Handles, Swivel/Rigid Gooseneck, Serrated Tip Outlet & 1/2" NPT Female Inlets

Product Compliance:

ASME A112.18.1 / CSA B125.1
 NSF 61 - Section 9
 NSF 372 (Low Lead Content)
 ANSI A117.1 (ADA)