



**T&S BRASS AND BRONZE WORKS, INC.**  
 2 Saddleback Cove / P.O. Box 1088  
 Travelers Rest, SC 29690

Model No.  
**BL-5715-10**

Item No.

Travelers Rest, SC: 800-476-4103 • Simi Valley, CA: 800-423-0150 • Fax: 864-834-3518 • www.tsbrass.com



**ADA Compliant**

This Space for Architect/Engineer Approval

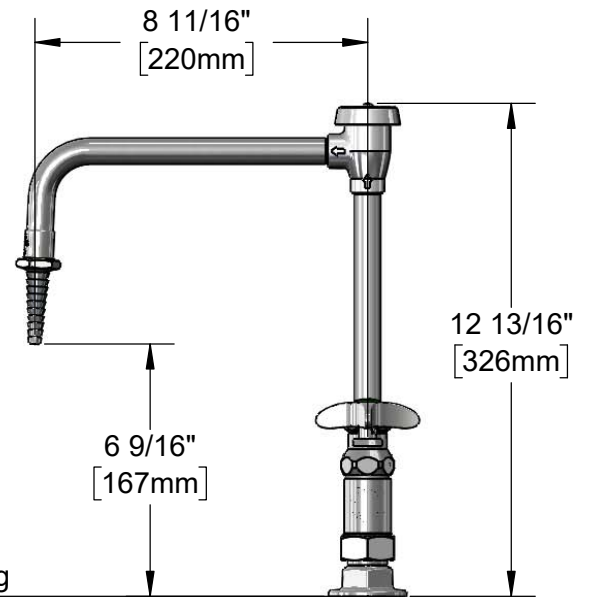
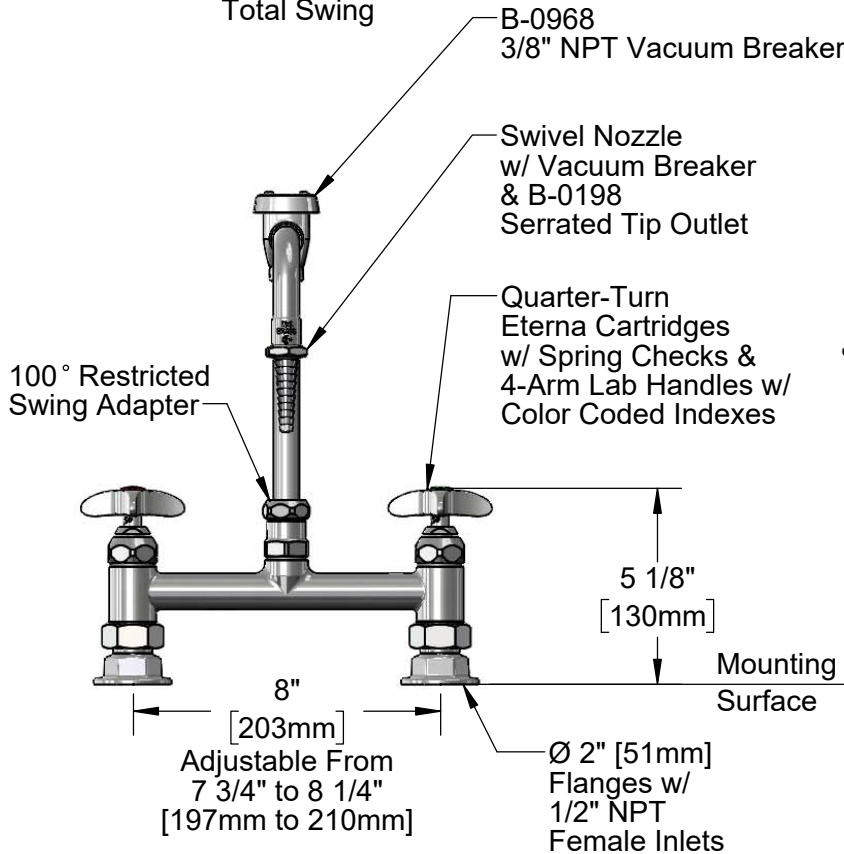
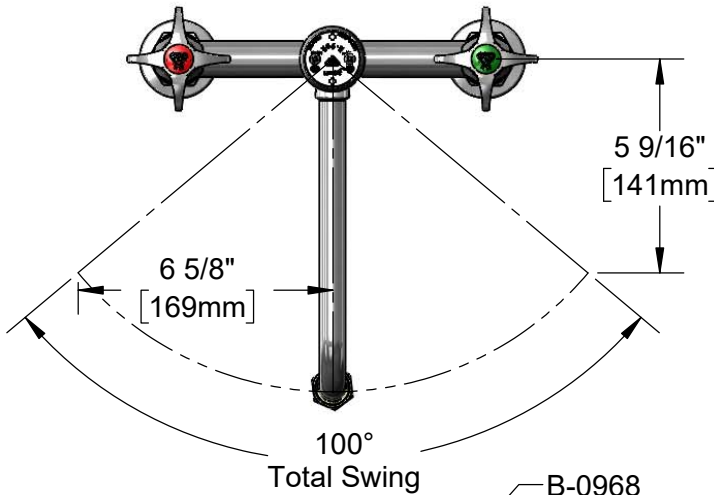
Job Name \_\_\_\_\_ Date \_\_\_\_\_

Model Specified \_\_\_\_\_ Quantity \_\_\_\_\_

Customer/Wholesaler \_\_\_\_\_

Contractor \_\_\_\_\_

Architect/Engineer \_\_\_\_\_



**Product Specifications:**  
 8" Deck Mount Laboratory Mixing Faucet, Quarter-Turn Eterna Cartridges  
 w/ Spring Checks, 4-Arm Lab Handles, Swivel Vacuum Breaker Nozzle,  
 Serrated Tip Outlet, Restricted Swing Adapter & 1/2" NPT Female Inlets

**Product Compliance:**  
 ASME A112.18.1 / CSA B125.1  
 NSF 61 - Section 9  
 NSF 372 (Low Lead Content)  
 ANSI A117.1 (ADA)  
 ASSE 1001 (VB)



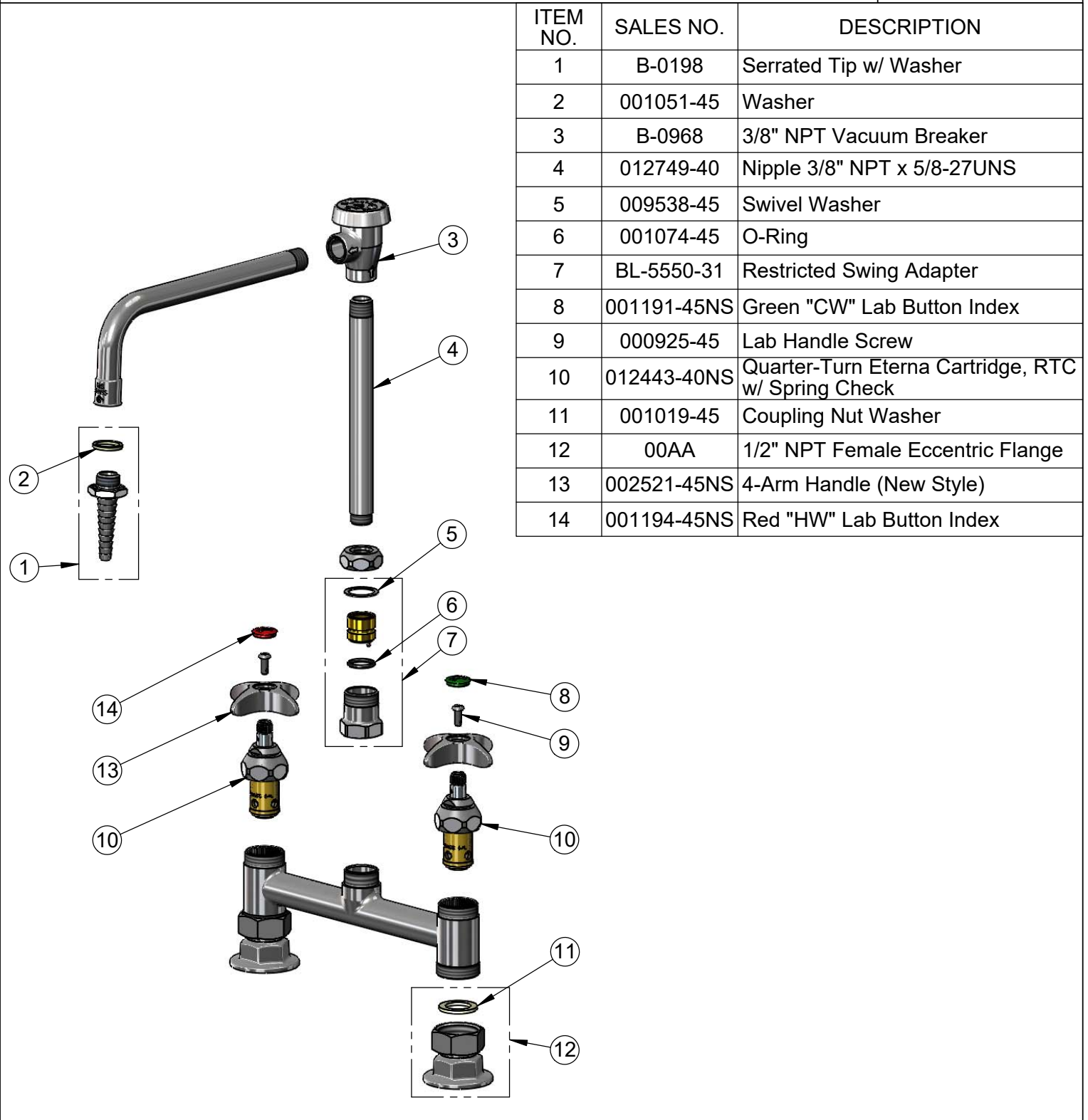
**T&S BRASS AND BRONZE WORKS, INC.**  
 2 Saddleback Cove / P.O. Box 1088  
 Travelers Rest, SC 29690

Model No.

**BL-5715-10**

Item No.

Travelers Rest, SC: 800-476-4103 • Simi Valley, CA: 800-423-0150 • Fax: 864-834-3518 • www.tsbrass.com



ITEM NO.	SALES NO.	DESCRIPTION
1	B-0198	Serrated Tip w/ Washer
2	001051-45	Washer
3	B-0968	3/8" NPT Vacuum Breaker
4	012749-40	Nipple 3/8" NPT x 5/8-27UNS
5	009538-45	Swivel Washer
6	001074-45	O-Ring
7	BL-5550-31	Restricted Swing Adapter
8	001191-45NS	Green "CW" Lab Button Index
9	000925-45	Lab Handle Screw
10	012443-40NS	Quarter-Turn Eterna Cartridge, RTC w/ Spring Check
11	001019-45	Coupling Nut Washer
12	00AA	1/2" NPT Female Eccentric Flange
13	002521-45NS	4-Arm Handle (New Style)
14	001194-45NS	Red "HW" Lab Button Index

**Product Specifications:**  
 8" Deck Mount Laboratory Mixing Faucet, Quarter-Turn Eterna Cartridges w/ Spring Checks, 4-Arm Lab Handles, Swivel Vacuum Breaker Nozzle, Serrated Tip Outlet, Restricted Swing Adapter & 1/2" NPT Female Inlets

**Product Compliance:**  
 ASME A112.18.1 / CSA B125.1  
 NSF 61 - Section 9  
 NSF 372 (Low Lead Content)  
 ANSI A117.1 (ADA)  
 ASSE 1001 (VB)