



# T&S BRASS AND BRONZE WORKS, INC.

2 Saddleback Cove / P.O. Box 1088  
Travelers Rest, SC 29690

Model No.

**BL-5707-03**

Item No.

Travelers Rest, SC: 800-476-4103 • Simi Valley, CA: 800-423-0150 • Fax: 864-834-3518 • www.tsbrass.com



**ADA Compliant**

This Space for Architect/Engineer Approval

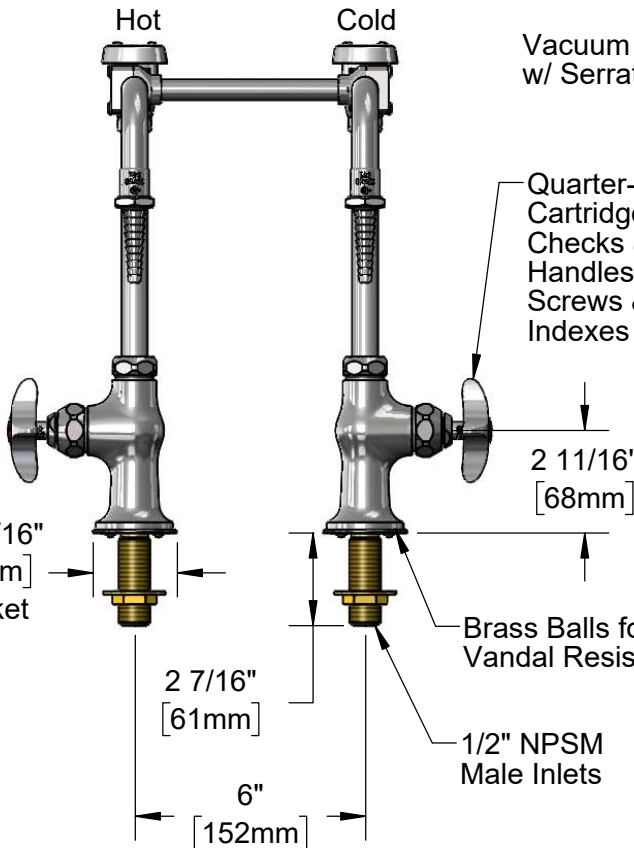
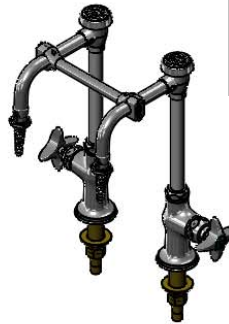
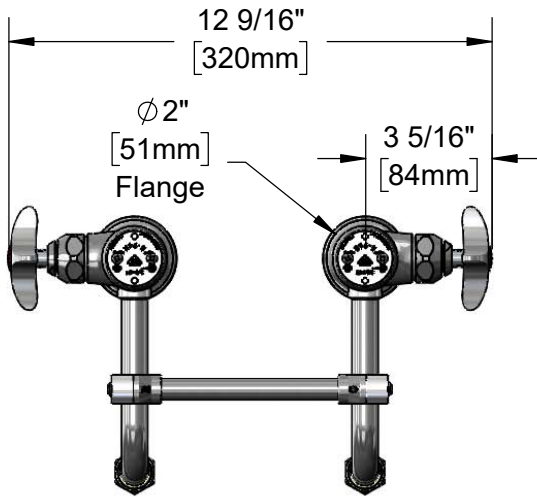
Job Name \_\_\_\_\_ Date \_\_\_\_\_

Model Specified \_\_\_\_\_ Quantity \_\_\_\_\_

Customer/Wholesaler \_\_\_\_\_

Contractor \_\_\_\_\_

Architect/Engineer \_\_\_\_\_

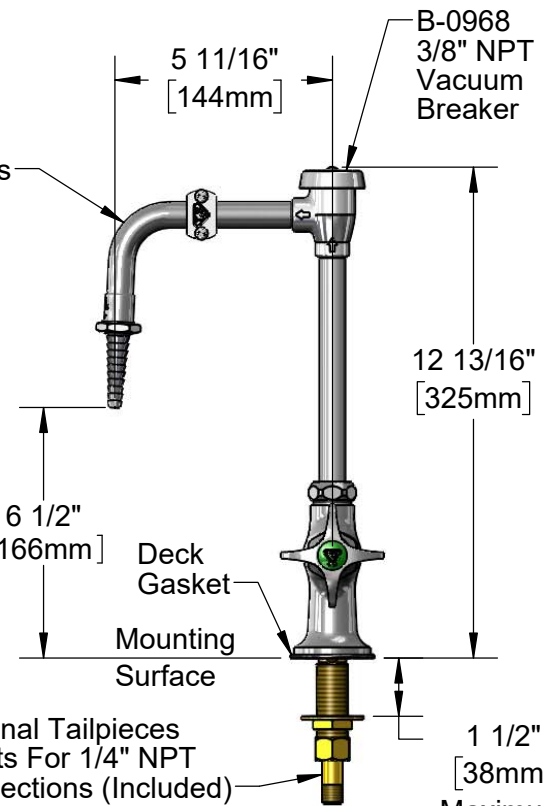


Vacuum Breaker Nozzles w/ Serrated Tip Outlets.

Quarter-Turn Eterna Cartridges w/ Spring Checks & 4-Arm Lab Handles w/ VR Handle Screws & Color Coded Indexes

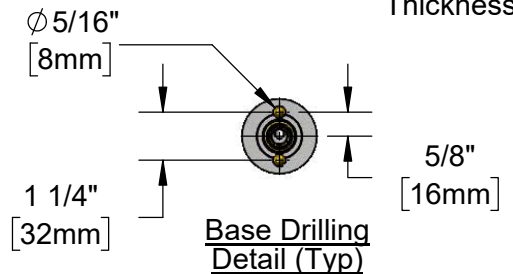
Brass Balls for Vandal Resistance

1/2" NPSM Male Inlets



150A Optional Tailpieces & Nuts For 1/4" NPT Connections (Included)

1 1/2" [38mm] Maximum Thickness



**Rough-In Requirement:**  
(2)  $\phi$  1" [25mm] Mounting Holes

**Product Specifications:**

Combination Science Table Deck Mount Vandal Resistant Laboratory Faucet, Quarter-Turn Eterna Cartridges w/ Spring Checks, 4-Arm Lab Handles w/ Vandal Resistant Screws, Swivel/Rigid Vacuum Breaker Nozzles, Serrated Tip Outlets & 1/2" NPSM Male Inlets

**Product Compliance:**

ASME A112.18.1 / CSA B125.1  
NSF 61 - Section 9  
NSF 372 (Low Lead Content)  
ANSI A117.1 (ADA)  
ASSE 1001 (VB)



# T&S BRASS AND BRONZE WORKS, INC.

2 Saddleback Cove / P.O. Box 1088  
Travelers Rest, SC 29690

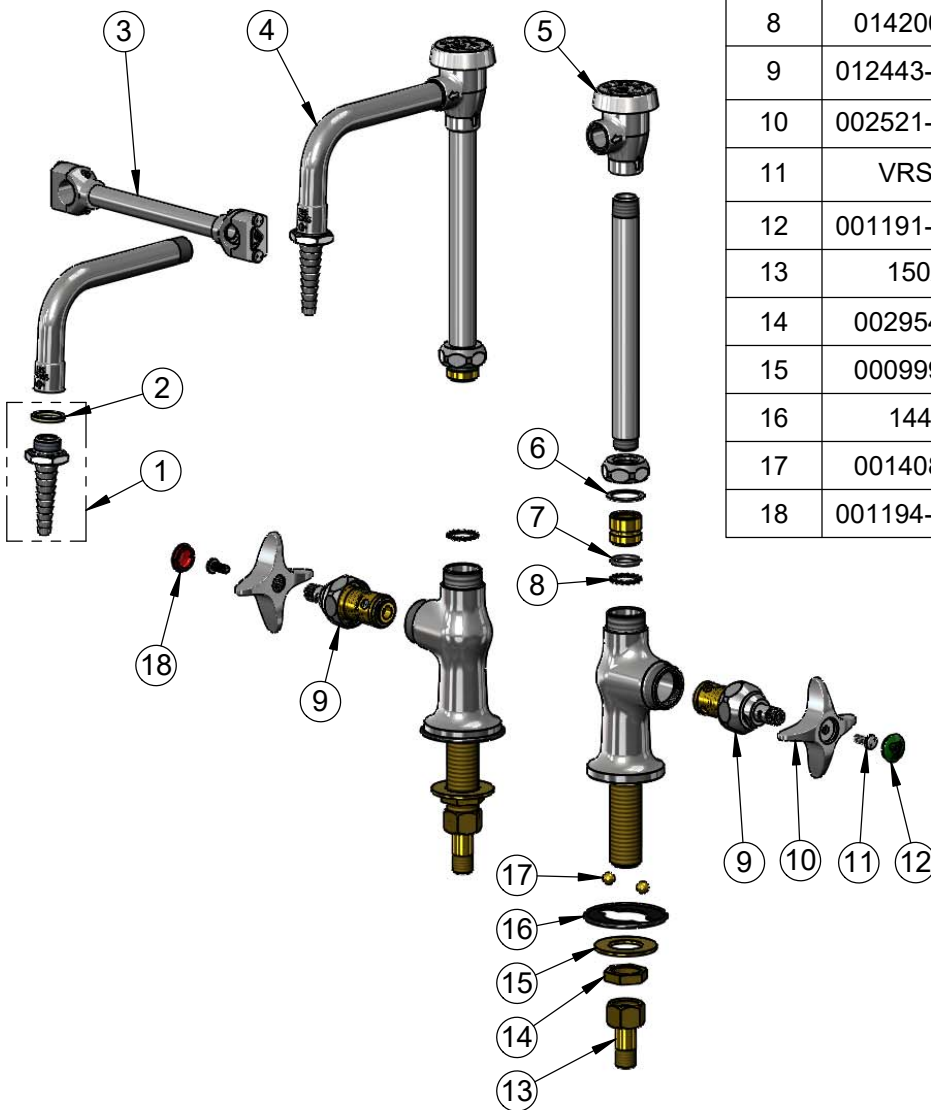
Model No.

**BL-5707-03**

Item No.

Travelers Rest, SC: 800-476-4103 • Simi Valley, CA: 800-423-0150 • Fax: 864-834-3518 • www.tsbrass.com

ITEM NO.	SALES NO.	DESCRIPTION
1	B-0198	Serrated Tip w/ Washer
2	001051-45	Washer
3	BL-5707-10	6" Vandal Resistant Brace
4	BL-5560-03	Swivel Vacuum Breaker Nozzle w/ Serrated Tip
5	B-0968	3/8" NPT vacuum Breaker
6	009538-45	Swivel Washer
7	001074-45	O-ring
8	014200-45	Star Washer, Anti-Rotation
9	012443-40NS	Quarter-Turn Eterna Cartridge w/ Spring Check, RTC
10	002521-45NS	4-Arm Handle (New Style)
11	VRS-2	VR Wrist Action Handle Screw (2) w/ Spanner Bit
12	001191-45NS	Green "CW" Lab Button Index
13	150A	1/4" NPT Tailpiece & Nut
14	002954-45	Shank Lock Nut
15	000999-45	Brass Lock Washer
16	144L	Black Plastic Gasket
17	001408-45	5/16" Brass Ball
18	001194-45NS	Red "HW" Lab Button Index



**014075-45**  
#10 Spanner Bit

**Product Specifications:**

Combination Science Table Deck Mount Vandal Resistant Laboratory Faucet, Quarter-Turn Eterna Cartridges w/ Spring Checks, 4-Arm Lab Handles w/ Vandal Resistant Screws, Swivel/Rigid Vacuum Breaker Nozzles, Serrated Tip Outlets & 1/2" NPSM Male Inlets

**Product Compliance:**

ASME A112.18.1 / CSA B125.1  
NSF 61 - Section 9  
NSF 372 (Low Lead Content)  
ANSI A117.1 (ADA)  
ASSE 1001 (VB)