



# T&S BRASS AND BRONZE WORKS, INC.

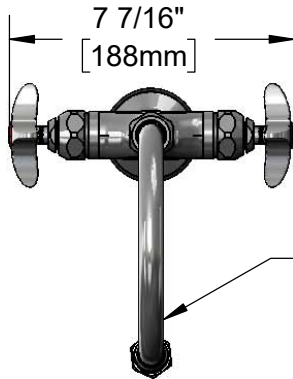
2 Saddleback Cove / P.O. Box 1088  
Travelers Rest, SC 29690

Model No.

**BL-5704-02**

Item No.

Travelers Rest, SC: 800-476-4103 • Simi Valley, CA: 800-423-0150 • Fax: 864-834-3518 • www.tsbrass.com



Swivel Gooseneck w/  
B-0198  
Serrated Tip & Washer.  
Converts to Rigid w/  
014200-45  
Lock Washer (Included).

This Space for Architect/Engineer Approval

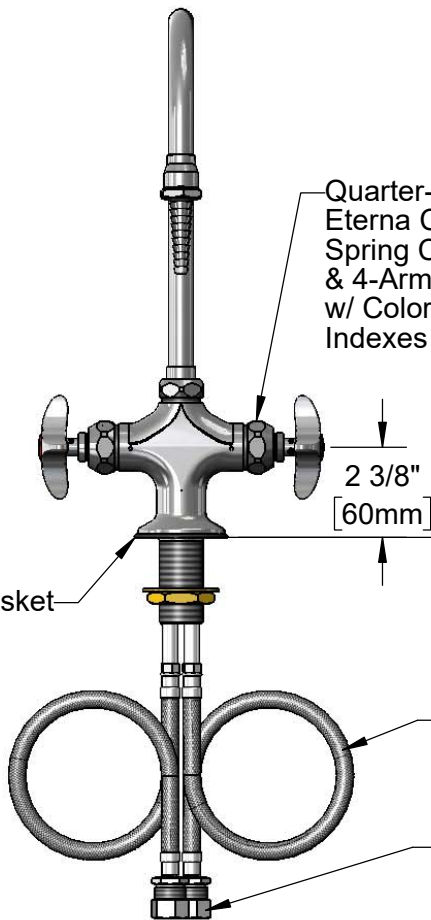
Job Name \_\_\_\_\_ Date \_\_\_\_\_

Model Specified \_\_\_\_\_ Quantity \_\_\_\_\_

Customer/Wholesaler \_\_\_\_\_

Contractor \_\_\_\_\_

Architect/Engineer \_\_\_\_\_



Quarter-Turn  
Eterna Cartridges w/  
Spring Checks  
& 4-Arm Handles  
w/ Color Coded  
Indexes

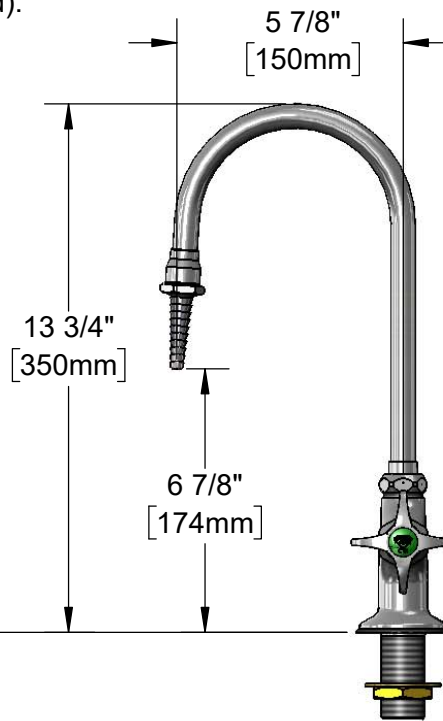
2 3/8"  
[60mm]

Mounting  
Surface

Deck Gasket

18" Flexible  
Stainless Steel  
Supply Hoses

Compression Fittings  
for 5/8" O.D. Copper Tubing  
(Remove Compression Nut  
for 1/2" NPSM Male)



13 3/4"  
[350mm]

6 7/8"  
[174mm]

1 3/8"  
[35mm]  
Maximum  
Thickness

Rough-In Requirement:  
Ø 1 1/4" [32mm] Mounting Hole

### Product Specifications:

Single Hole Deck Mount Mixing Faucet, Quarter-Turn Eterna Cartridges w/ Spring Checks, 4-Arm Handles, 5 7/8" Swivel/Rigid Gooseneck w/ Serrated Tip Outlet & 18" Flexible Stainless Steel Supply Hoses w/ 1/2" NPSM Male Inlets

### Product Compliance:

ASME A112.18.1 / CSA B125.1  
NSF 61 - Section 9  
NSF 372 (Low Lead Content)  
ANSI A117.1 (ADA)

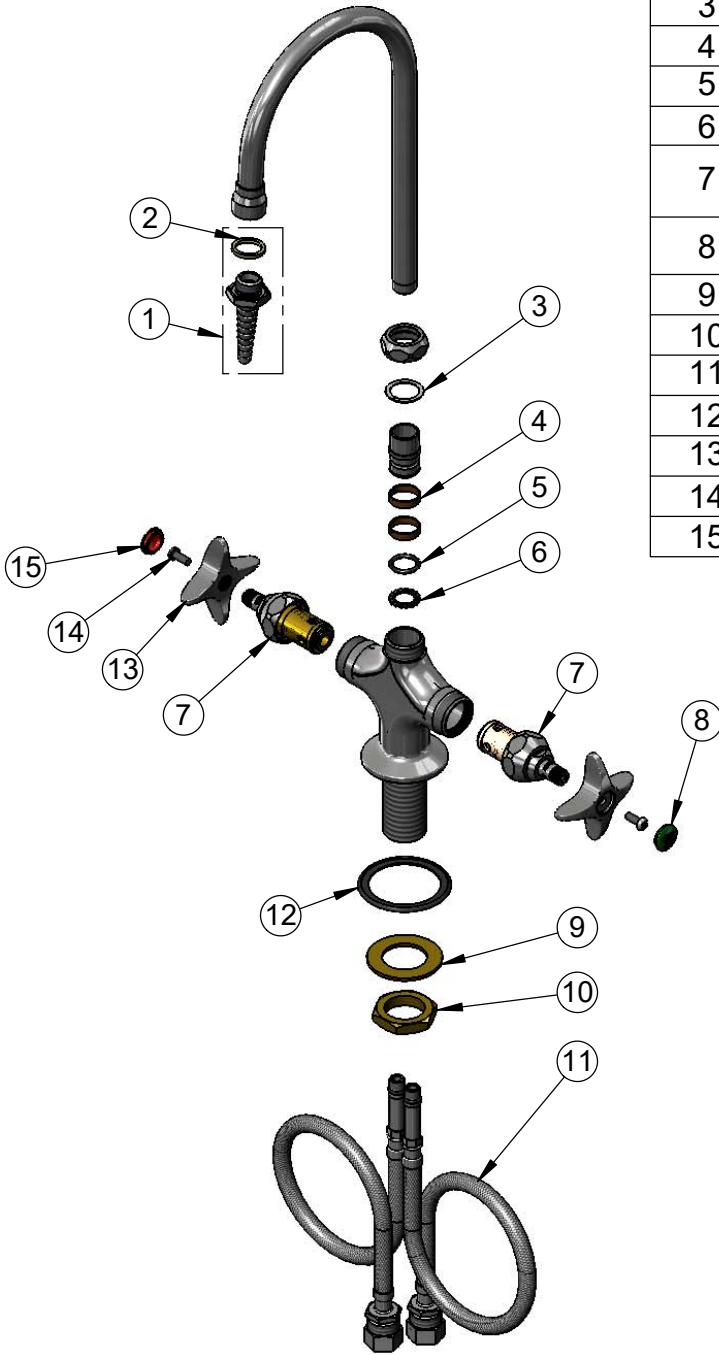


**T&S BRASS AND BRONZE WORKS, INC.**  
 2 Saddleback Cove / P.O. Box 1088  
 Travelers Rest, SC 29690

Model No.  
**BL-5704-02**  
 Item No.

Travelers Rest, SC: 800-476-4103 • Simi Valley, CA: 800-423-0150 • Fax: 864-834-3518 • www.tsbrass.com

ITEM NO.	SALES NO.	DESCRIPTION
1	B-0198	Serrated Tip w/ Washer
2	001051-45	Washer
3	009538-45	Swivel Washer
4	011429-45	Swivel Sleeves (2)
5	001074-45	O-Ring
6	014200-45	Star Washer, Anti-Rotation
7	012443-40NS	Quarter-Turn Eterna Cartridge w/ Spring Check, RTC
8	001191-45NS	Green "CW" Lab Button Index
9	002290-45	Lock Washer
10	000965-45	Lock Nut
11	012534-45	18" Flexible Supply Hose (2)
12	145L	Black Plastic Base Gasket
13	002521-45NS	4-Arm Handle (New Style)
14	000925-45	Lab Handle Screw
15	001194-45NS	Red "HW" Lab Button Index



**Product Specifications:**

Single Hole Deck Mount Mixing Faucet, Quarter-Turn Eterna Cartridges w/ Spring Checks, 4-Arm Handles, 5 7/8" Swivel/Rigid Gooseneck w/ Serrated Tip Outlet & 18" Flexible Stainless Steel Supply Hoses w/ 1/2" NPSM Male Inlets

**Product Compliance:**

ASME A112.18.1 / CSA B125.1  
 NSF 61 - Section 9  
 NSF 372 (Low Lead Content)  
 ANSI A117.1 (ADA)