



**T&S BRASS AND BRONZE WORKS, INC.**  
 2 Saddleback Cove / P.O. Box 1088  
 Travelers Rest, SC 29690

Model No.  
**BL-5550-31**

Item No.

Travelers Rest, SC: 800-476-4103 • Simi Valley, CA: 800-423-0150 • Fax: 864-834-3518 • www.tsbrass.com

This Space for Architect/Engineer Approval

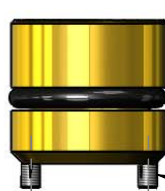
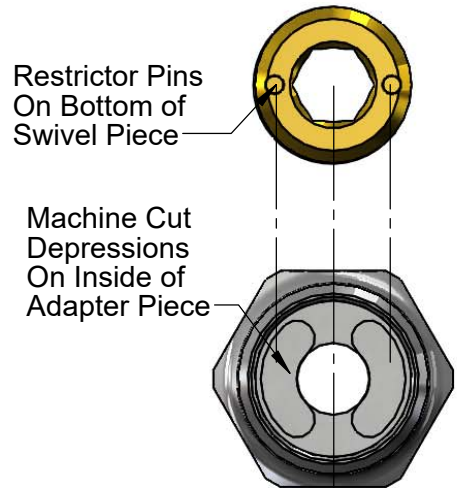
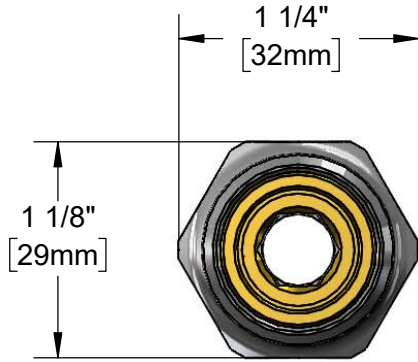
Job Name \_\_\_\_\_ Date \_\_\_\_\_

Model Specified \_\_\_\_\_ Quantity \_\_\_\_\_

Customer/Wholesaler \_\_\_\_\_

Contractor \_\_\_\_\_

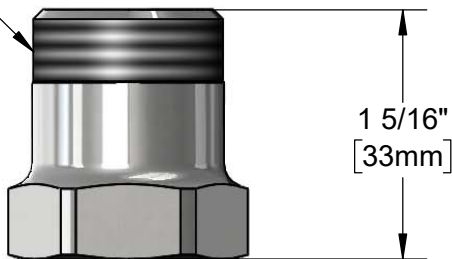
Architect/Engineer \_\_\_\_\_



Swivel Piece Must Be Used in Conjunction with BL-5550-31 Adapter to Achieve Nozzle Swing Restriction

Restrictor Pins Insert Into Machine Cut Depression in Adapter Piece, Restricting Nozzle Swing to 100°

1-20 UN Male Thread



1-20 UN Female Thread

Product Specifications:  
 Chrome Plated Brass 1-20 UN Female X 1-20 UN Male Swivel to Restricted Swivel Adapter

Product Compliance:  
 NSF 61 - Section 9  
 NSF 372 (Low Lead Content)



**T&S BRASS AND BRONZE WORKS, INC.**  
2 Saddleback Cove / P.O. Box 1088  
Travelers Rest, SC 29690

Model No.

**BL-5550-31**

Item No.

Travelers Rest, SC: 800-476-4103 • Simi Valley, CA: 800-423-0150 • Fax: 864-834-3518 • www.tsbrass.com

ITEM NO.	SALES NO.	DESCRIPTION
1	001074-45	O-Ring



Product Specifications:  
Chrome Plated Brass 1-20 UN Female X 1-20 UN Male Swivel to Restricted Swivel Adapter

Product Compliance:  
NSF 61 - Section 9  
NSF 372 (Low Lead Content)